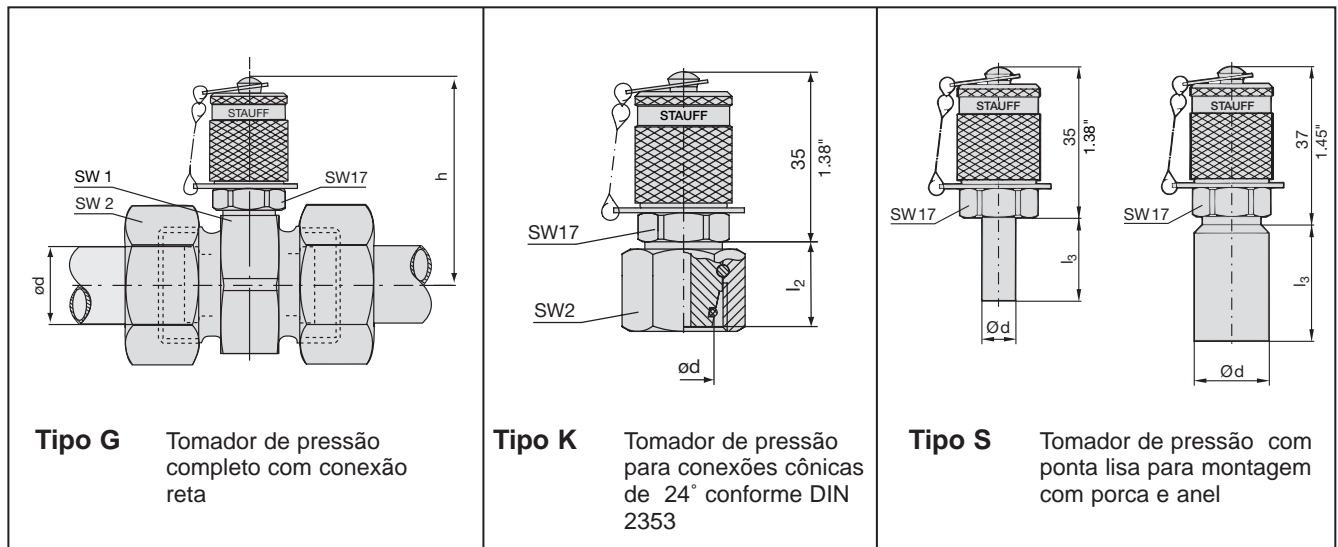


Tomador de pressão SMK (para montagem com porca e anel conforme DIN 2353)
Tubulação métrica



Série	PN* PSI (Bar)	Tubo Ød	l ₂		l ₃		h		SW 1		SW 2		Código para Pedido*		
			mm	pol	mm	pol	mm	pol	mm	pol	mm	pol	mm	pol	Tipo G
L	4500 (315)	6	15,5	0.61	20	0.79	49	1.93	24	0.94	14	0.55	SMK 15 – 6L–VG	SMK 15 – 6L–VK	SMK 15 – 6–VS
		8	15,5	0.61	20	0.79	49	1.93	24	0.94	17	0.67	SMK 15 – 8L–VG	SMK 15 – 8L–VK	SMK 15 – 8–VS
		10	16,5	0.65	22	0.87	49	1.93	24	0.94	19	0.75	SMK 15 – 10L–VG	SMK 15 – 10L–VK	SMK 15 – 10–VS
		12	17,5	0.69	22	0.87	50,5	1.99	27	1.06	22	0.87	SMK 15 – 12L–VG	SMK 15 – 12L–VK	SMK 15 – 12–VS
		15	21	0.83	25	0.98	52	2.05	30	1.18	27	1.06	SMK 15 – 15L–VG	SMK 15 – 15L–VK	SMK 15 – 15–VS
		18	19,5	0.77	28	1.10	53	2.09	32	1.26	32	1.26	SMK 15 – 18L–VG	SMK 15 – 18L–VK	SMK 15 – 18–VS
	2300 (160)	22	20,5	0.81	30	1.18	55	2.17	36	1.42	36	1.42	SMK 15 – 22L–VG	SMK 15 – 22L–VK	SMK 15 – 22–VS
		28	25	0.98	32	1.26	57,5	2.26	41	1.61	41	1.61	SMK 15 – 28L–VG	SMK 15 – 28L–VK	SMK 15 – 28–VS
		35	30	1.18	42	1.65	60	2.36	46	1.81	50	1.97	SMK 15 – 35L–VG	SMK 15 – 35L–VK	SMK 15 – 35–VS
		42	31	1.22	45	1.77	64,5	2.54	55	2.17	60	2.36	SMK 15 – 42L–VG	SMK 15 – 42L–VK	SMK 15 – 42–VS
S	9000 (630)	6	14,5	0.57	20	0.79	49	1.93	24	0.94	17	0.67	SMK 15 – 6S–VG	SMK 15 – 6S–VK	SMK 15 – 6–VS
		8	16,5	0.65	20	0.79	49	1.93	24	0.94	19	0.75	SMK 15 – 8S–VG	SMK 15 – 8S–VK	SMK 15 – 8–VS
		10	16,5	0.65	22	0.87	49	1.93	24	0.94	22	0.87	SMK 15 – 10S–VG	SMK 15 – 10S–VK	SMK 15 – 10–VS
		12	17,5	0.69	22	0.87	49	1.93	24	0.94	24	0.94	SMK 15 – 12S–VG	SMK 15 – 12S–VK	SMK 15 – 12–VS
		14	19,5	0.77	22	0.87	50,5	1.99	27	1.06	27	1.06	SMK 15 – 14S–VG	SMK 15 – 14S–VK	SMK 15 – 14–VS
	5800 (400)	16	18	0.71	28	1.10	52	2.05	30	1.18	30	1.18	SMK 15 – 16S–VG	SMK 15 – 16S–VK	SMK 15 – 16–VS
		20	24	0.94	30	1.18	55	2.17	36	1.42	36	1.42	SMK 15 – 20S–VG	SMK 15 – 20S–VK	SMK 15 – 20–VS
		25	26	1.02	36	1.42	57,5	2.26	41	1.61	46	1.81	SMK 15 – 25S–VG	SMK 15 – 25S–VK	SMK 15 – 25–VS
		30	30	1.18	41	1.61	60	2.36	46	1.81	50	1.97	SMK 15 – 30S–VG	SMK 15 – 30S–VK	SMK 15 – 30–VS
		4500 (315)	38	34	1.34	48	1.89	64,5	2.54	55	2.17	60	2.36	SMK 15 – 38S–VG	SMK 15 – 38S–VK

* Pressão operacional

* Para as vedações EPDM substitua "V" por "E"