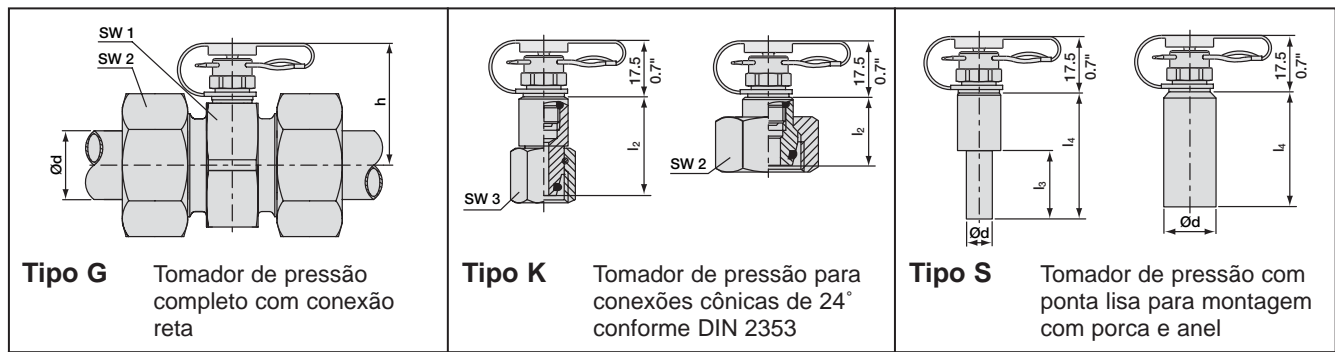


Tomador de pressão SMK (Para montagem com porca e anel conforme DIN 2353) - Tubulação métrica



Série	PN	Tubo Ø d	Tubo			h	SW			Código para Pedido*			
			l ₂ mm	l ₃ mm	l ₄ mm		mm	mm	mm	Tipo G	Tipo K	Tipo S	
L	315	6	30,5 pol 1.20	20 pol 0.79	36 pol 1.42	29,5 pol 1.16	24 pol 0.94	14 pol 0.55			SMK 10 - 6L-VG	SMK 10 - 6L-VK	SMK 10 - 6-VS
		8	30,5 pol 1.20	20 pol 0.79	36 pol 1.42	29,5 pol 1.16	24 pol 0.94	17 pol 0.67			SMK 10 - 8L-VG	SMK 10 - 8L-VK	SMK 10 - 8-VS
		10	31,5 pol 1.24	22 pol 0.87	38 pol 1.50	29,5 pol 1.16	24 pol 0.94	19 pol 0.75			SMK 10 - 10L-VG	SMK 10 - 10L-VK	SMK 10 - 10-VS
		12	32,5 pol 1.28	22 pol 0.87	38 pol 1.50	31 pol 1.22	27 pol 1.06	22 pol 0.87			SMK 10 - 12L-VG	SMK 10 - 12L-VK	SMK 10 - 12-VS
		15	21 pol 0.83		28 pol 1.10	32,5 pol 1.28	30 pol 1.18	27 pol 1.06			SMK 10 - 15L-VG	SMK 10 - 15L-VK	SMK 10 - 15-VS
		18	19,5 pol 0.77		28 pol 1.10	33,5 pol 1.32	32 pol 1.26	32 pol 1.26			SMK 10 - 18L-VG	SMK 10 - 18L-VK	SMK 10 - 18-VS
	160	22	20,5 pol 0.81		30 pol 1.18	35,5 pol 1.40	36 pol 1.42	36 pol 1.42			SMK 10 - 22L-VG	SMK 10 - 22L-VK	SMK 10 - 22-VS
		28	25 pol 0.98		32 pol 1.26	38 pol 1.50	41 pol 1.61	41 pol 1.61			SMK 10 - 28L-VG	SMK 10 - 28L-VK	SMK 10 - 28-VS
		35	30 pol 1.18		42 pol 1.65	40,5 pol 1.59	46 pol 1.81	50 pol 1.97			SMK 10 - 35L-VG	SMK 10 - 35L-VK	SMK 10 - 35-VS
		42	31 pol 1.22		45 pol 1.77	45 pol 1.77	55 pol 2.17	60 pol 2.36			SMK 10 - 42L-VG	SMK 10 - 42L-VK	SMK 10 - 42-VS
S	630	6	29,5 pol 1.16	20 pol 0.79	36 pol 1.42	29,5 pol 1.16	24 pol 0.94	17 pol 0.67			SMK 10 - 6S-VG	SMK 10 - 6S-VK	SMK 10 - 6-VS
		8	31,5 pol 1.24	20 pol 0.79	36 pol 1.42	29,5 pol 1.16	24 pol 0.94	19 pol 0.75			SMK 10 - 8S-VG	SMK 10 - 8S-VK	SMK 10 - 8-VS
		10	31,5 pol 1.24	22 pol 0.87	38 pol 1.50	29,5 pol 1.16	24 pol 0.94	22 pol 0.87			SMK 10 - 10S-VG	SMK 10 - 10S-VK	SMK 10 - 10-VS
		12	32,5 pol 1.28	22 pol 0.87	38 pol 1.50	29,5 pol 1.16	24 pol 0.94	24 pol 0.94			SMK 10 - 12S-VG	SMK 10 - 12S-VK	SMK 10 - 12-VS
		14	19,5 pol 0.77	22 pol 0.87	38 pol 1.50	31 pol 1.22	27 pol 1.06	27 pol 1.06			SMK 10 - 14S-VG	SMK 10 - 14S-VK	SMK 10 - 14-VS
	400	16	28 pol 1.10		28 pol 1.10	32,5 pol 1.28	30 pol 1.18	30 pol 1.18			SMK 10 - 16S-VG	SMK 10 - 16S-VK	SMK 10 - 16-VS
		20	24 pol 0.94		30 pol 1.18	35,5 pol 1.40	36 pol 1.42	36 pol 1.42			SMK 10 - 20S-VG	SMK 10 - 20S-VK	SMK 10 - 20-VS
		25	26 pol 1.02		36 pol 1.42	38 pol 1.50	41 pol 1.61	46 pol 1.81			SMK 10 - 25S-VG	SMK 10 - 25S-VK	SMK 10 - 25-VS
		30	30 pol 1.18		41 pol 1.61	40,5 pol 1.59	46 pol 1.81	50 pol 1.97			SMK 10 - 30S-VG	SMK 10 - 30S-VK	SMK 10 - 30-VS
		315	38 pol 1.34		48 pol 1.89	45 pol 1.77	55 pol 2.17	60 pol 2.36			SMK 10 - 38S-VG	SMK 10 - 38S-VK	SMK 10 - 38-VS

* Para as vedações EPDM substitua "P" por "E"