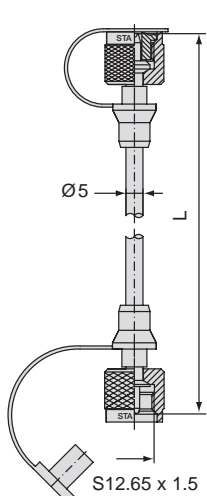
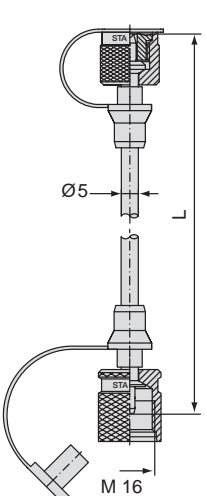
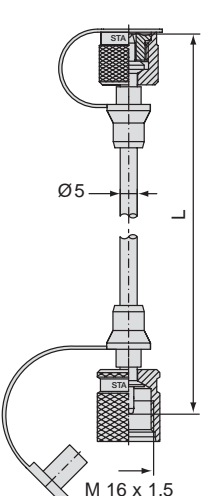
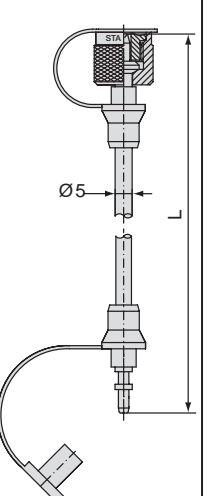
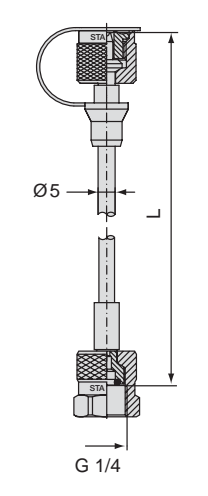


Mangueira teste SMS (para fluidos gasosos, especificar o tipo SGS)

<p>Máxima pressão operacional 630 bar (9000 PSI)</p> <p>Mangueira de teste: Diâm. Nominal 2 mm (0.08")</p> <p>Raio mínimo de curvatura 20 mm(0.75")</p> <p>Diâm.nominal 4mm (0.16")</p> <p>Fator pressão/t°: até 0°C 122 % a 30°C 110 % a 50°C 100 % a 80°C 86 % a 100°C 77 %</p> <p>Composição de mangueira: Núcleo e -tampa PA 11/12</p> <p>Reforço: Fibra sintética</p> <p>Pressão de rompimento: 27,000 PSI (1900 bar)</p>	<p>Stauff-Test 12/12⁽²⁾</p> <p>STAUFF-TEST 12</p>  <p>Ø5</p> <p>S12.65 x 1.5</p> <p>STAUFF-TEST 12</p>	<p>Stauff-Test 12/20</p> <p>STAUFF-TEST 12</p>  <p>Ø5</p> <p>M 16</p> <p>STAUFF-TEST 20</p>	<p>Stauff-Test 12/15</p> <p>STAUFF-TEST 12</p>  <p>Ø5</p> <p>M 16 x 1.5</p> <p>STAUFF-TEST 15</p>	<p>Stauff-Test 10/12⁽²⁾</p> <p>STAUFF-TEST 12</p>  <p>Ø5</p> <p>STAUFF-TEST 10</p>	<p>Stauff-Test 12/G^{1/4}⁽³⁾</p> <p>STAUFF-TEST 12</p>  <p>Ø5</p> <p>G 1/4</p> <p>ADAPTADOR MANÔMETRO</p>																																																															
	<p>Comprimento L⁽¹⁾</p> <table border="1"> <thead> <tr> <th>in</th> <th>mm</th> <th colspan="5">Código para Pedido</th> </tr> </thead> <tbody> <tr> <td>12</td> <td>305</td> <td>SMS-12-305mm-B</td> <td>SMS-12/20-305mm-B</td> <td>SMS-12/15-1305-B</td> <td>SMS-10/12-305mm-B</td> <td>SMS-12/M^{1/4}-305mm-B</td> </tr> <tr> <td>24</td> <td>610</td> <td>SMS-12-610mm-B</td> <td>SMS-12/20-610mm-B</td> <td>SMS-12/15-610-B</td> <td>SMS-10/12-610mm-B</td> <td>SMS-12/M^{1/4}-610mm-B</td> </tr> <tr> <td>36</td> <td>915</td> <td>SMS-12-915mm-B</td> <td>SMS-12/20-915mm-B</td> <td>SMS-12/15-915-B</td> <td>SMS-10/12-915mm-B</td> <td>SMS-12/M^{1/4}-915mm-B</td> </tr> <tr> <td>48</td> <td>1219</td> <td>SMS-12-1219mm-B</td> <td>SMS-12/20-1219mm-B</td> <td>SMS-12/15-1219-B</td> <td>SMS-10/12-1219mm-B</td> <td>SMS-12/M^{1/4}-1219mm-B</td> </tr> <tr> <td>60</td> <td>1524</td> <td>SMS-12-1524mm-B</td> <td>SMS-12/20-1524mm-B</td> <td>SMS-12/15-1524-B</td> <td>SMS-10/12-1524mm-B</td> <td>SMS-12/M^{1/4}-1524mm-B</td> </tr> <tr> <td>72</td> <td>1829</td> <td>SMS-12-1829mm-B</td> <td>SMS-12/20-1829mm-B</td> <td>SMS-12/15-1829-B</td> <td>SMS-10/12-1829mm-B</td> <td>SMS-12/M^{1/4}-1829mm-B</td> </tr> <tr> <td>96</td> <td>2438</td> <td>SMS-12-2438mm-B</td> <td>SMS-12/20-2438mm-B</td> <td>SMS-12/15-2438-B</td> <td>SMS-10/12-2438mm-B</td> <td>SMS-12/M^{1/4}-2438mm-B</td> </tr> <tr> <td>120</td> <td>3048</td> <td>SMS-12-3048mm-B</td> <td>SMS-12/20-3048mm-B</td> <td>SMS-12/15-3048-B</td> <td>SMS-10/12-3048mm-B</td> <td>SMS-12/M^{1/4}-3048mm-B</td> </tr> </tbody> </table>	in	mm	Código para Pedido					12	305	SMS-12-305mm-B	SMS-12/20-305mm-B	SMS-12/15-1305-B	SMS-10/12-305mm-B	SMS-12/M ^{1/4} -305mm-B	24	610	SMS-12-610mm-B	SMS-12/20-610mm-B	SMS-12/15-610-B	SMS-10/12-610mm-B	SMS-12/M ^{1/4} -610mm-B	36	915	SMS-12-915mm-B	SMS-12/20-915mm-B	SMS-12/15-915-B	SMS-10/12-915mm-B	SMS-12/M ^{1/4} -915mm-B	48	1219	SMS-12-1219mm-B	SMS-12/20-1219mm-B	SMS-12/15-1219-B	SMS-10/12-1219mm-B	SMS-12/M ^{1/4} -1219mm-B	60	1524	SMS-12-1524mm-B	SMS-12/20-1524mm-B	SMS-12/15-1524-B	SMS-10/12-1524mm-B	SMS-12/M ^{1/4} -1524mm-B	72	1829	SMS-12-1829mm-B	SMS-12/20-1829mm-B	SMS-12/15-1829-B	SMS-10/12-1829mm-B	SMS-12/M ^{1/4} -1829mm-B	96	2438	SMS-12-2438mm-B	SMS-12/20-2438mm-B	SMS-12/15-2438-B	SMS-10/12-2438mm-B	SMS-12/M ^{1/4} -2438mm-B	120	3048	SMS-12-3048mm-B	SMS-12/20-3048mm-B	SMS-12/15-3048-B	SMS-10/12-3048mm-B	SMS-12/M ^{1/4} -3048mm-B				
in	mm	Código para Pedido																																																																		
12	305	SMS-12-305mm-B	SMS-12/20-305mm-B	SMS-12/15-1305-B	SMS-10/12-305mm-B	SMS-12/M ^{1/4} -305mm-B																																																														
24	610	SMS-12-610mm-B	SMS-12/20-610mm-B	SMS-12/15-610-B	SMS-10/12-610mm-B	SMS-12/M ^{1/4} -610mm-B																																																														
36	915	SMS-12-915mm-B	SMS-12/20-915mm-B	SMS-12/15-915-B	SMS-10/12-915mm-B	SMS-12/M ^{1/4} -915mm-B																																																														
48	1219	SMS-12-1219mm-B	SMS-12/20-1219mm-B	SMS-12/15-1219-B	SMS-10/12-1219mm-B	SMS-12/M ^{1/4} -1219mm-B																																																														
60	1524	SMS-12-1524mm-B	SMS-12/20-1524mm-B	SMS-12/15-1524-B	SMS-10/12-1524mm-B	SMS-12/M ^{1/4} -1524mm-B																																																														
72	1829	SMS-12-1829mm-B	SMS-12/20-1829mm-B	SMS-12/15-1829-B	SMS-10/12-1829mm-B	SMS-12/M ^{1/4} -1829mm-B																																																														
96	2438	SMS-12-2438mm-B	SMS-12/20-2438mm-B	SMS-12/15-2438-B	SMS-10/12-2438mm-B	SMS-12/M ^{1/4} -2438mm-B																																																														
120	3048	SMS-12-3048mm-B	SMS-12/20-3048mm-B	SMS-12/15-3048-B	SMS-10/12-3048mm-B	SMS-12/M ^{1/4} -3048mm-B																																																														

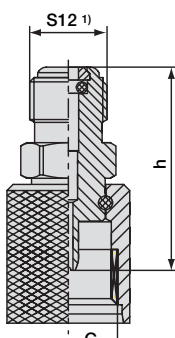
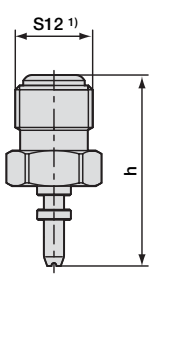
Comprimentos personalizados sob pedido

(1) Proteção anti-curvatura e outros comprimentos sob pedido

(2) Rosca especial: rosca trapezoidal S 12,65 x 1,5

(3) Adaptador de Manômetro N^{1/4}, N^{1/2} e G^{1/2} sob consulta

Adaptador SAD

 <p>Tipo A</p>	 <p>Tipo B</p>	<p>G</p>	h		Tipo	Código para Pedido	
			mm	pol		NBR (BUNA)	FPM (VITON) (Padrão)
M 16 x 1,5	33	1.30	A	SAD 12/15-P	SAD 12/15-V		
	31	1.22	B	SAD 12/10-P	SAD 12/10-V		
M 16 x 2	33	1.30	A	SAD 12/20-P	SAD 12/20-V		

¹⁾ Rosca especial: rosca trapezoidal S 12,65 x 1,5