



## Cartridge Valves Technical Information

Housings  
Quick reference

## AVAILABLE HOUSINGS

Order code	Cavity	Ports	Page
CP04-2-2B	CP04-2	1/4 BSP	21.6
CP04-2-4S	CP04-2	SAE #4	21.6
CP04-3-2B	CP04-3	1/4 BSP	21.7
CP04-3-4S	CP04-3	SAE #4	21.7
CP07-3-4S	CP07-3	SAE #4	21.8
CP08-3L-3B	CP08-3L	3/8 BSP	21.9
CP08-3L-4S	CP08-3L	SAE #4	21.9
CP08-3L-2B	CP08-3L	1/4 BSP	21.9
CP08-3L-6S	CP08-3L	SAE #6	21.9
CP12-2-6B	CP12-2	3/4 BSP	21.10
CP12-2-S12S	CP12-2	SAE #12	21.10
CP12-2-S10S	CP12-2	SAE #10	21.10
CP12-2-12S	CP12-2	SAE #12	21.10
CP12-2-10S	CP12-2	SAE #10	21.10
CP12-2-4B	CP12-2	1/2 BSP	21.10
CP12-3-4B	CP12-3	1/2 BSP	21.11
CP12-3-S12S	CP12-3	SAE #12	21.11
CP12-3-6B	CP12-3	3/4 BSP	21.11
CP12-3-12S	CP12-3	SAE #12	21.11
CP12-3-10S	CP12-3	SAE #10	21.11
CP12-3-S10S	CP12-3	SAE #10	21.11
CP12-3M-10S	CP12-3M	SAE #10	21.12
CP12-3M-12S	CP12-3M	SAE #12	21.12
CP12-3M-6B	CP12-3M	3/4 BSP	21.12
CP12-3S-6B/2B	CP12-3S	3/4 BSP, 1/4 BSP	21.13
CP12-3S-4B/2B	CP12-3S	1/2 BSP, 1/4 BSP	21.13
CP12-3S-12S/4S	CP12-3S	SAE #12, #4	21.13
CP12-3S-10S/4S	CP12-3S	SAE #10, #4	21.13
CP12-4-3B-X1	CP12-4	3/8 BSP	21.14
CP12-4-8S-X1	CP12-4	SAE #8	21.14
CP12-4-8S/4S	CP12-4	SAE #10, #4	21.14
CP12-4-8S	CP12-4	SAE #8	21.14
CP12-4-10S	CP12-4	SAE #10	21.14
CP12-4-4B	CP12-4	1/2 BSP	21.14
CP12-4-3B	CP12-4	3/8 BSP	21.14
CP12-4-10S-X1	CP12-4	SAE #10	21.14
CP12-4-10S/4S	CP12-4	SAE #10, #4	21.14
CP12-4-4B-X1	CP12-4	1/2 BSP	21.14
CP16-4-12S-X1	CP16-4	SAE #12	21.15
CP16-4-16S-X1	CP16-4	SAE #16	21.15
CP16-4-6B	CP16-4	3/4 BSP	21.16
CP16-4-8B	CP16-4	1 BSP	21.16
CP16-4-12S	CP16-4	SAE #12	21.16
CP16-4-16S	CP16-4	SAE #16	21.16
CP20-3S-10B/2B	CP20-3S	1 1/4 BSP, 1/4 BSP	21.17
CP20-3S-16S/4S	CP20-3S	SAE #16, #4	21.17
CP20-3S-20S/4S	CP20-3S	SAE #20, #4	21.17
CP20-3S-8B/2B	CP20-3S	1 BSP, 1/4 BSP	21.17
FC336-4S	FC-336	SAE #4	21.18
UDPS-06-AL	ISO D03	#8 SAE	21.19
UDPS-06-DI	ISO D03	#8 SAE	21.19
UDPS-10-AL	ISO D05	#8 SAE	21.20



## Cartridge Valves Technical Information

## Housings

## Quick reference

## AVAILABLE HOUSINGS

Order code	Cavity	Ports	Page
UDPS-10-DI	ISO D05	#8 SAE	21.20
NCS04/2-LG2-1/4	NCS04/2	1/4 BSP	21.21
NCS04/2-LG2-6S	NCS04/2	SAE #6	21.21
NCS04/2-LG2-4S	NCS04/2	SAE #4	21.21
NCS04/2-DG-6S	NCS04/2	SAE #6	21.22
NCS04/2-DG-1/4	NCS04/2	1/4 BSP	21.22
NCS04/2-DG-4S	NCS04/2	SAE #4	21.22
NCS04/2-LG1-6S	NCS04/2	SAE #6	21.23
NCS04/2-LG1-1/4	NCS04/2	1/4 BSP	21.23
NCS04/2-LG1-4S	NCS04/2	SAE #4	21.23
NCS04/3-SE-1/4	NCS04/3	1/4 BSP	21.24
NCS04/3-SI-1/4	NCS04/3	1/4 BSP	21.25
NCS04/3-DI-1/4	NCS04/3	1/4 BSP	21.26
NCS04/3-DI-3/8	NCS04/3	3/8 BSP	21.26
NCS04/3-DL-1/4	NCS04/3	1/4 BSP	21.27
NCS04/3-DL-4S	NCS04/3	SAE #4	21.27
NCS04/3-DL-6S	NCS04/3	SAE #6	21.27
NCS04/3-SE-4S	NCS04/3	SAE #4	21.28
NCS04/3-SE-6S	NCS04/3	SAE #6	21.28
NCS04/3-SI-4S	NCS04/3	SAE #4	21.29
NCS04/3-SI-6S	NCS04/3	SAE #6	21.29
NCS04/3-L-6S	NCS04/4	SAE #6	21.30
NCS04/4-L-1/4	NCS04/4	1/4 BSP	21.31
NCS04/4-L-4S	NCS04/4	SAE #4	21.31
NCS06/2-LG2-8S	NCS06/2	SAE #8	21.32
NCS06/2-LG2-1/2	NCS06/2	1/2 BSP	21.32
NCS06/2-DG-3/8	NCS06/2	3/8 BSP	21.33
NCS06/2-DG-6S	NCS06/2	SAE #6	21.33
NCS06/2-DG-1/2	NCS06/2	1/2 BSP	21.34
NCS06/2-DG-8S	NCS06/2	SAE #8	21.34
NCS06/2-LG2-6S	NCS06/2	SAE #6	21.35
NCS06/2-LG2-3/8	NCS06/2	3/8 BSP	21.35
NCS06/2-LG1-1/2	NCS06/2	1/2 BSP	21.36
NCS06/2-LG1-8S	NCS06/2	SAE #8	21.36
NCS06/2-LG1-3/8	NCS06/2	3/8 BSP	21.37
NCS06/3-DL-1/2	NCS06/3	1/2 BSP	21.38
NCS06/3-DL-8S	NCS06/3	SAE #8	21.38
NCS06/3-LD-6S	NCS06/3	SAE #6	21.39
NCS06/3-LD-8S	NCS06/3	SAE #8	21.40
NCS06/3-SE-8S	NCS06/3	SAE #8	21.41
NCS06/3-SE-1/2	NCS06/3	1/2 BSP	21.41
NCS06/3-SE-3/8	NCS06/3	3/8 BSP	21.42
NCS06/3-SE-6S	NCS06/3	SAE #6	21.42
NCS06/3-SI-3/8	NCS06/3	3/8 BSP	21.43
NCS06/3-SI-6S	NCS06/3	SAE #6	21.43
NCS06/3-SI-1/2	NCS06/3	1/2 BSP	21.44
NCS06/3-SI-8S	NCS06/3	SAE #8	21.44
NCS06/3-DL-6S	NCS06/3	SAE #6	21.45
NCS06/3-DL-3/8	NCS06/3	3/8 BSP	21.45
NCS06/4-LD-3/8	NCS06/4	3/8 BSP	21.46
NCS06/4-L-1/2	NCS06/4	1/2 BSP	21.47
NCS06/4-L-8S	NCS06/4	SAE #8	21.47



## Cartridge Valves Technical Information

Housings  
Quick reference

## AVAILABLE HOUSINGS

Order code	Cavity	Ports	Page
NCS06/4-LD-1/2	NCS06/4	1/2 BSP	21.48
NCS06/4-L-3/8	NCS06/4	3/8 BSP	21.49
NCS06/4-L-6S	NCS06/4	SAE #6	21.49
NCS12/2-DG-12S	NCS12/2	SAE #12	21.50
NCS12/2-DG-3/4	NCS12/2	3/4 BSP	21.50
NCS12/2-DG-8S	NCS12/2	SAE #8	21.50
NCS12/2-DG-1/2	NCS12/2	1/2 BSP	21.50
NCS12/2-LG1-8S	NCS12/2	SAE #8	21.51
NCS12/2-LG1-12S	NCS12/2	SAE #12	21.51
NCS12/2-LG2-12S	NCS12/2	SAE #12	21.52
NCS12/2-LG2-3/4	NCS12/2	3/4 BSP	21.52
NCS12/2-LG2-8S	NCS12/2	SAE #8	21.52
NCS12/2-LG2-1/2	NCS12/2	1/2 BSP	21.52
NCS12/3-DL-12S	NCS12/3	SAE #12	21.53
NCS12/3-DL-8S	NCS12/3	SAE #8	21.53
NCS12/3-DL-1/2	NCS12/3	1/2 BSP	21.54
NCS12/3-DL-3/4	NCS12/3	3/4 BSP	21.55
NCS12/3-SE-12S	NCS12/3	SAE #12	21.56
NCS12/3-SE-3/4	NCS12/3	3/4 BSP	21.56
NCS12/3-SE-1	NCS12/3	1/2 BSP	21.56
NCS12/3-SE-8S	NCS12/3	SAE #8	21.56
NCS12/3-SI-1	NCS12/3	1/2 BSP	21.57
NCS12/3-SI-12S	NCS12/3	SAE #12	21.57
NCS12/3-SI-3/4	NCS12/3	3/4 BSP	21.57
NCS12/3-SI-8S	NCS12/3	SAE #8	21.57
NCS12/4-L-1	NCS12/4	1/2 BSP	21.58
NCS12/4-L-3/4	NCS12/4	3/4 BSP	21.58
NCS12/4-HD-1	NCS12/4	1/2 BSP	21.59
NCS12/4-L-12S	NCS12/4	SAE #12	21.60
CP08-2-8S-2PL	SDC08-2	SAE #8	21.61
SDC08-2-HG1-3B	SDC08-2	3/8 BSP	21.62
SDC08-2-HG2-3B	SDC08-2	3/8 BSP	21.63
SDC08-2-HG-2B	SDC08-2	1/4 BSP	21.64
SDC08-2-HG-3B	SDC08-2	3/8 BSP	21.64
CP08-2-8S-2CR	SDC08-2	SAE #8	21.65
CP08-2-6S-2CR	SDC08-2	SAE #6	21.65
CP08-2-4S	SDC08-2	SAE #4	21.66
CP08-2-6S	SDC08-2	SAE #6	21.66
CP08-2-S4S	SDC08-2	SAE #4	21.66
SDC08-3-HI-2B	SDC08-3	1/4 BSP	21.67
SDC08-3-SE-2B	SDC08-3	1/4 BSP	21.68
SDC08-3-SE-3B	SDC08-3	3/8 BSP	21.68
CP08-3-S6S	SDC08-3	SAE #6	21.69
CP08-3-S4S	SDC08-3	SAE #4	21.69
CP08-3-6S	SDC08-3	SAE #6	21.69
CP08-3-4S	SDC08-3	SAE #4	21.69
CP08-4-6S	SDC08-4	SAE #6	21.70
CP08-4-4S	SDC08-4	SAE #4	21.70
SDC08-4-L-2B	SDC08-4	1/4 BSP	21.71
CP10-2-8S-2PL	SDC10-2	SAE #8	21.72
SDC10-2-DG-4B	SDC10-2	1/2 BSP	21.73
CP10-2-10S-2CR	SDC10-2	SAE #10	21.74



## Cartridge Valves Technical Information

Housings  
Quick reference

## AVAILABLE HOUSINGS

Order code	Cavity	Ports	Page
CP10-2-S8S	SDC10-2	SAE #8	21.75
CP10-2-8S	SDC10-2	SAE #8	21.75
CP10-2-6S	SDC10-2	SAE #6	21.75
CP10-2-S6S	SDC10-2	SAE #6	21.75
SDC10-2-LG1-4B	SDC10-2	1/2 BSP	21.76
SDC10-2-DG-3B	SDC10-2	3/8 BSP	21.77
SDC10-2-LG2-4B	SDC10-2	1/2 BSP	21.78
CP10-3-6S	SDC10-3	SAE #6	21.79
CP10-3-8S	SDC10-3	SAE #8	21.79
CP10-3-S6S	SDC10-3	SAE #6	21.79
CP10-3-S8S	SDC10-3	SAE #8	21.79
SDC10-3-SI-3B	SDC10-3	3/8 BSP	21.80
SDC10-3-SI-4B	SDC10-3	1/2 BSP	21.81
SDC10-3-SE-4B	SDC10-3	1/2 BSP	21.82
SDC10-3-SE-3B	SDC10-3	3/8 BSP	21.83
SDC10-3S-SE-3B	SDC10-3S	3/8 BSP	21.84
SDC10-3S-SE-4B	SDC10-3S	1/2 BSP	21.84
SDC10-3S-10S/6S	SDC10-3S	SAE #10	21.85
SDC10-3S-8S/6S	SDC10-3S	SAE #8	21.85
SDC10-3S-6S/6S	SDC10-3S	SAE #6	21.85
CP10-4-S8S	SDC10-4	SAE #8	21.86
CP10-4-8S-X1	SDC10-4	SAE #8	21.86
CP10-4-S6S	SDC10-4	SAE #6	21.86
CP10-4-6S-X1	SDC10-4	SAE #6	21.86
CP10-4-6S	SDC10-4	SAE #6	21.86
CP10-4-8S	SDC10-4	SAE #8	21.86
SDC10-4-HD-3B	SDC10-4	3/8 BSP	21.87
SDC10-4-L-3B	SDC10-4	3/8 BSP	21.88
SDC10-4-L-4B	SDC10-4	1/2 BSP	21.89
SDC12-2-DG-6B	SDC12-2	3/4 BSP	21.90
SDC12-2-12S	SDC12-2	#12 SAE	21.91
SDC12-2-10S	SDC12-2	#10 SAE	21.91
SDC12-2-LG2-6B	SDC12-2	3/4 BSP	21.92
SDC12-2-LG1-6B	SDC12-2	3/4 BSP	21.93
SDC12-2-DG-4B	SDC12-2	1/2 BSP	21.94
SDC16-2-HG1-8B	SDC16-2	1 BSP	21.95
CP16-2-16S	SDC16-2	SAE #16	21.96
CP16-2-12S	SDC16-2	SAE #12	21.96
CP16-2-S16S	SDC16-2	SAE #16	21.96
SDC16-2-HG-8B	SDC16-2	1 BSP	21.97
SDC16-2-HG-6B	SDC16-2	3/4 BSP	21.98
SDC16-2-HG2-8B	SDC16-2	1 BSP	21.99
SDC16-2-HE-8B	SDC16-3	1 BSP	21.100
SDC16-2-HE-6B	SDC16-3	3/4 BSP	21.101
SDC16-3-HI-8B	SDC16-3	1 BSP	21.102
CP16-3-12S	SDC16-3	SAE #12	21.103
CP16-3-16S	SDC16-3	SAE #16	21.103
CP16-3S-8B/2B	SDC16-3S	1 BSP, 1/4 BSP	21.104
CP16-3S-16S/4S	SDC16-3S	SAE #16, #4	21.104
CP16-3S-6B/2B	SDC16-3S	3/4 BSP, 1/4 BSP	21.104
CP16-3S-12S/4S	SDC16-3S	SAE #12, #4	21.104
CP20-2-16S	SDC20-2	SAE #16	21.105



## Cartridge Valves Technical Information

Housings  
Quick reference

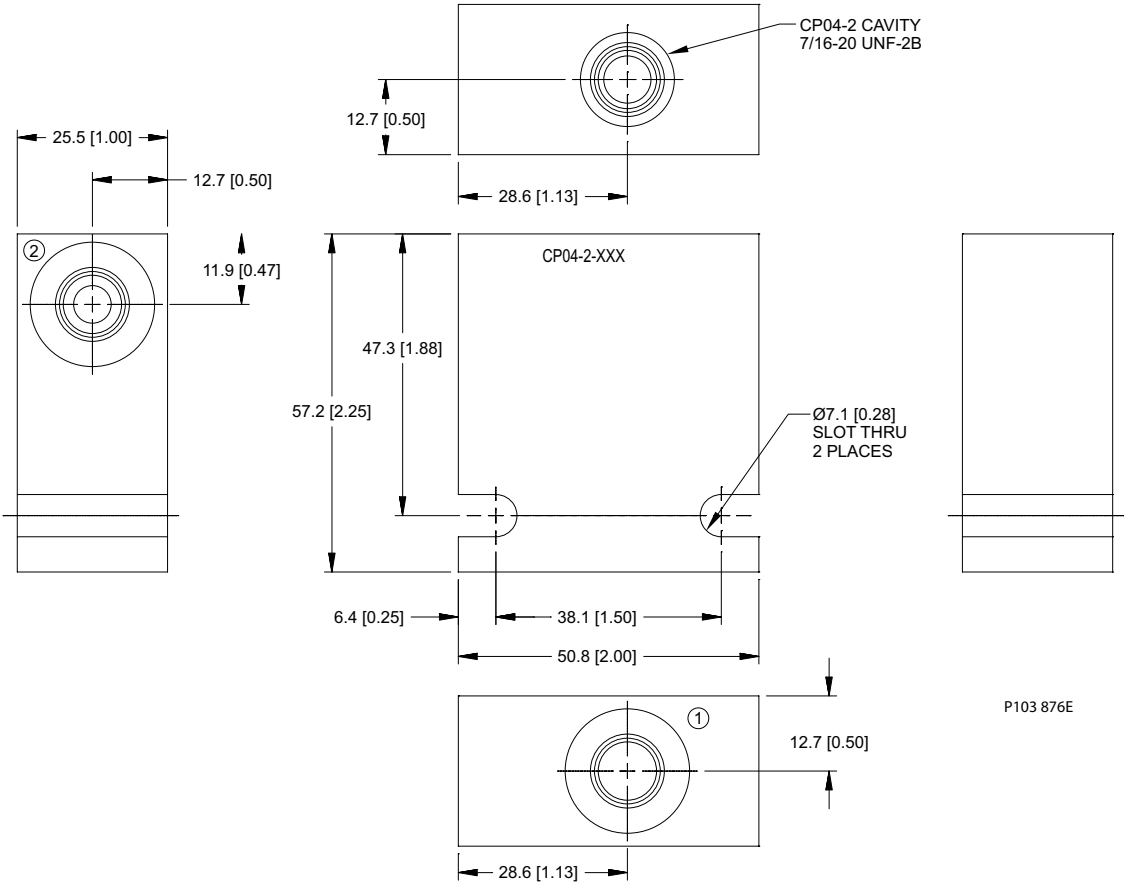
## AVAILABLE HOUSINGS

Order code	Cavity	Ports	Page
CP20-2-20S	SDC20-2	SAE #20	21.105
CP20-2-8B	SDC20-2	1 BSP	21.105
CP20-2-10B	SDC20-2	1 1/4 BSP	21.105
CP20-3-20S	SDC20-3	SAE #20	21.106
CP20-3-8B/2B1	SDC20-3	1 BSP, 1/4 BSP	21.106
CP20-3-20S/4S1	SDC20-3	SAE #20, #4	21.106
CP20-3-16S/4S1	SDC20-3	SAE #16, #4	21.106
CP20-3-16S	SDC20-3	SAE #16	21.106
CP20-3-10B/2B1	SDC20-3	1 1/4 BSP, 1/4 BSP	21.106
CP20-3-10B	SDC20-3	1 1/4 BSP	21.106
CP20-3-8B	SDC20-3	1 BSP	21.106
CP20-4-20S	SDC20-4	SAE #20	21.107
CP20-4-516S-X1	SDC20-4	SAE #16	21.107
CP20-4-516S	SDC20-4	SAE #16	21.107
CP20-4-8B-X1	SDC20-4	1 BSP	21.107
CP20-4-8B	SDC20-4	1 BSP	21.107
CP20-4-16S-X1	SDC20-4	SAE #16	21.107
CP20-4-20S/4S	SDC20-4	SAE #20, #4	21.107
CP20-4-10B	SDC20-4	1 1/4 BSP	21.107
CP20-4-20S-X1	SDC20-4	SAE #20	21.107
CP20-4-10B-X1	SDC20-4	1 1/4 BSP	21.107
CP20-4-16S	SDC20-4	SAE #16	21.107
CP20-4-16S/4S	SDC20-4	SAE #16, #4	21.107
VME 06-LG-3B	VME06	3/8 BSP	21.108
VME 06-LG-6S	VME06	SAE #6	21.108
VME 06-DG-3B	VME06	3/8 BSP	21.109
VME 06-DG-6S	VME06	SAE #6	21.109
VME 07-DG-4B	VME07	1/2 BSP	21.110
VME 07-DG-8S	VME07	SAE #8	21.110
VME 07-LG-4B	VME07	1/2 BSP	21.111
VME 07-LG-8S	VME07	SAE #8	21.111
VME 08-LG-6B	VME08	3/4 BSP	21.112
VME 08-LG-12S	VME08	SAE #12	21.112
VME 08-DG-6B	VME08	3/4 BSP	21.113
VME 08-DG-12S	VME08	SAE #12	21.113



Cartridge Valves Technical Information  
 Housings  
 CP04-2 (Standard)

Housing drawing



Options

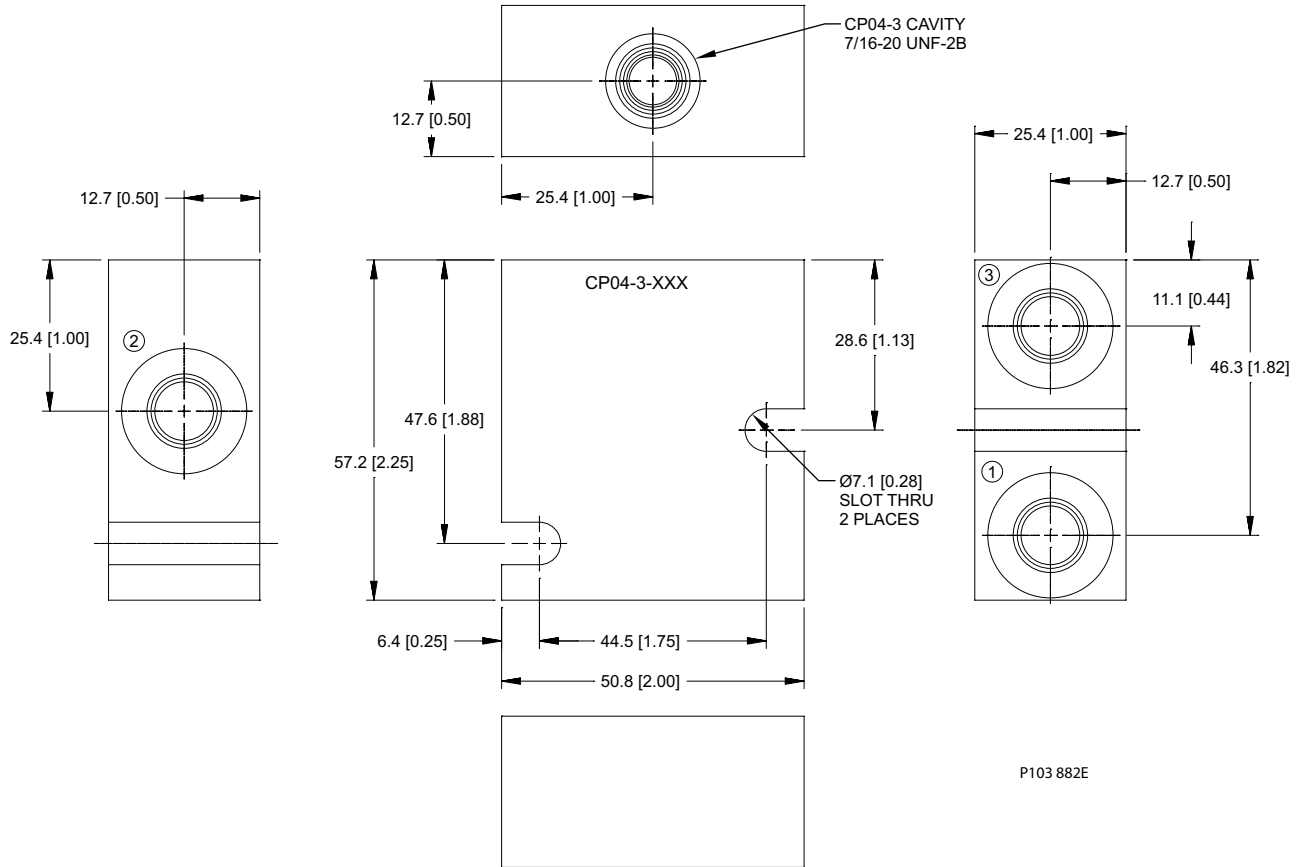
Order Code	Description	Style	Ports
CP04-2-2B	Aluminum Housing	Standard	1/4 BSP
CP04-2-4S	Aluminum Housing	Standard	SAE #4

CP04-2 (Standard) Housings



Cartridge Valves Technical Information  
Housings  
CP04-3 (Standard)

Dimensions



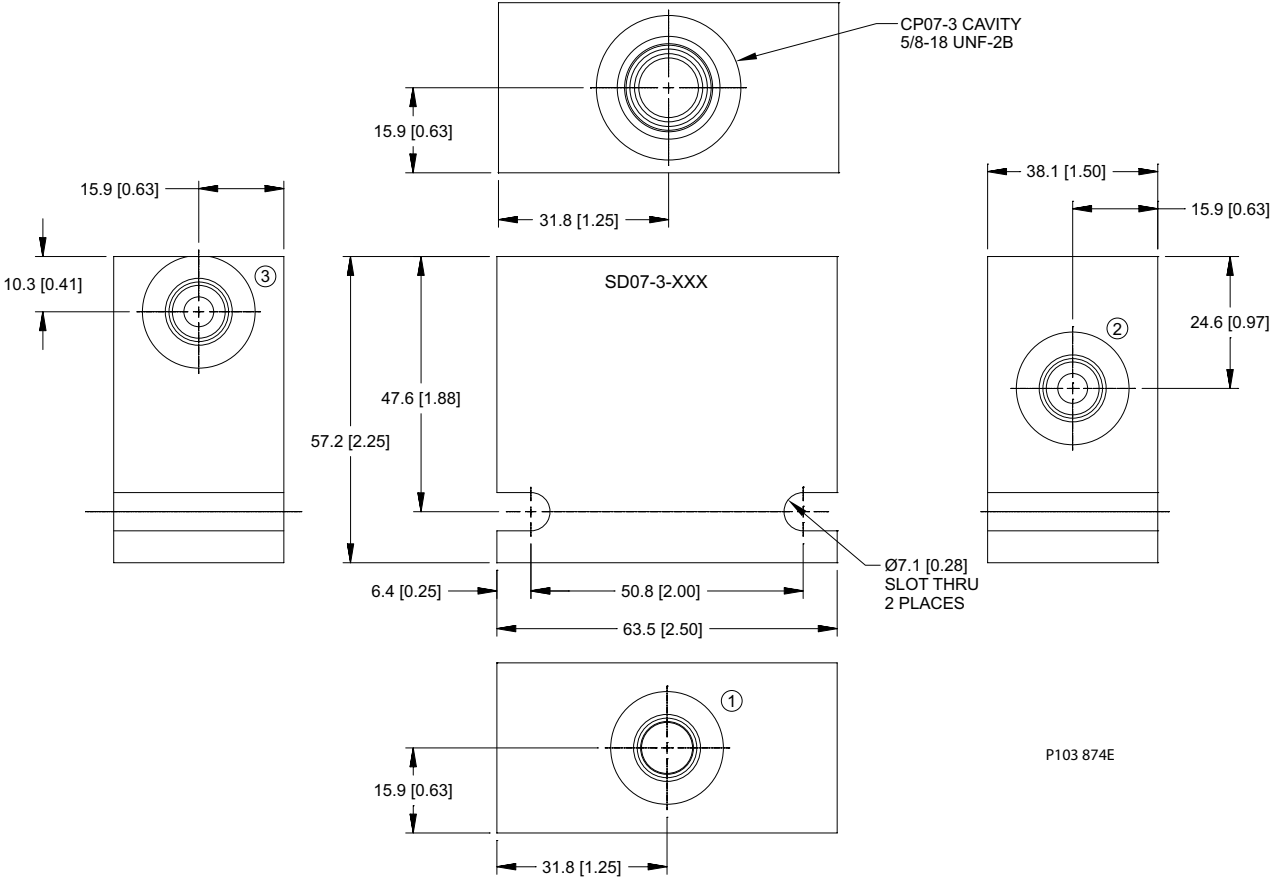
Options

Order Code	Description	Style	Ports
CP04-3-2B	Aluminum Housing	Standard	1/4 BSP
CP04-3-4S	Aluminum Housing	Standard	SAE #4



Cartridge Valves Technical Information  
 Housings  
 CP07-3 (Standard)

Housing drawing



Options

Order Code	Description	Style	Ports
CP07-3-4S	Aluminum Housing	Standard	SAE #4

CP07-3 (Standard)  
 Housings



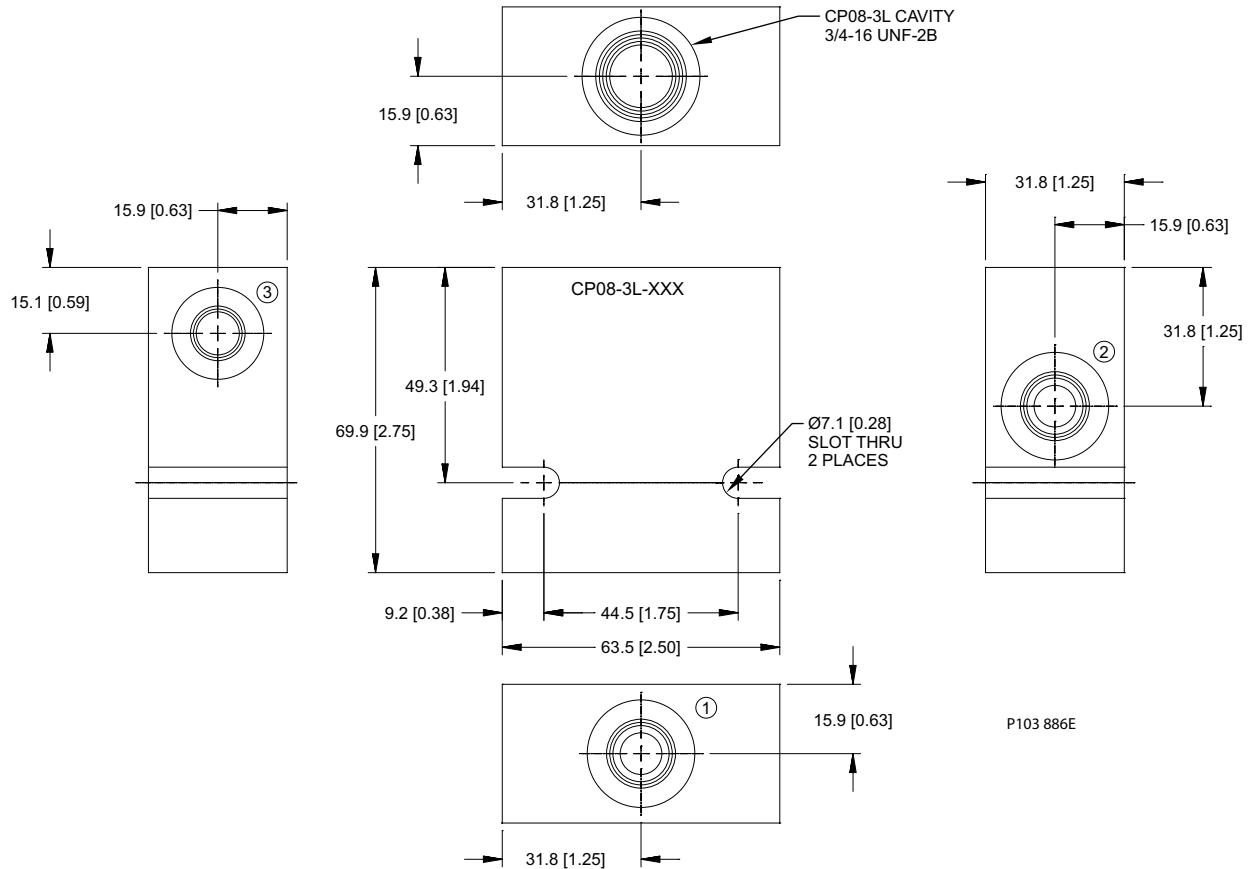


## Cartridge Valves Technical Information

### Housings

### CP08-3L (Standard)

#### Dimensions



#### Options

Order Code	Description	Style	Ports
CP08-3L-2B	Aluminum Housing	Standard	1/4 BSP
CP08-3L-3B	Aluminum Housing	Standard	3/8 BSP
CP08-3L-4S	Aluminum Housing	Standard	SAE #4
CP08-3L-6S	Aluminum Housing	Standard	SAE #6

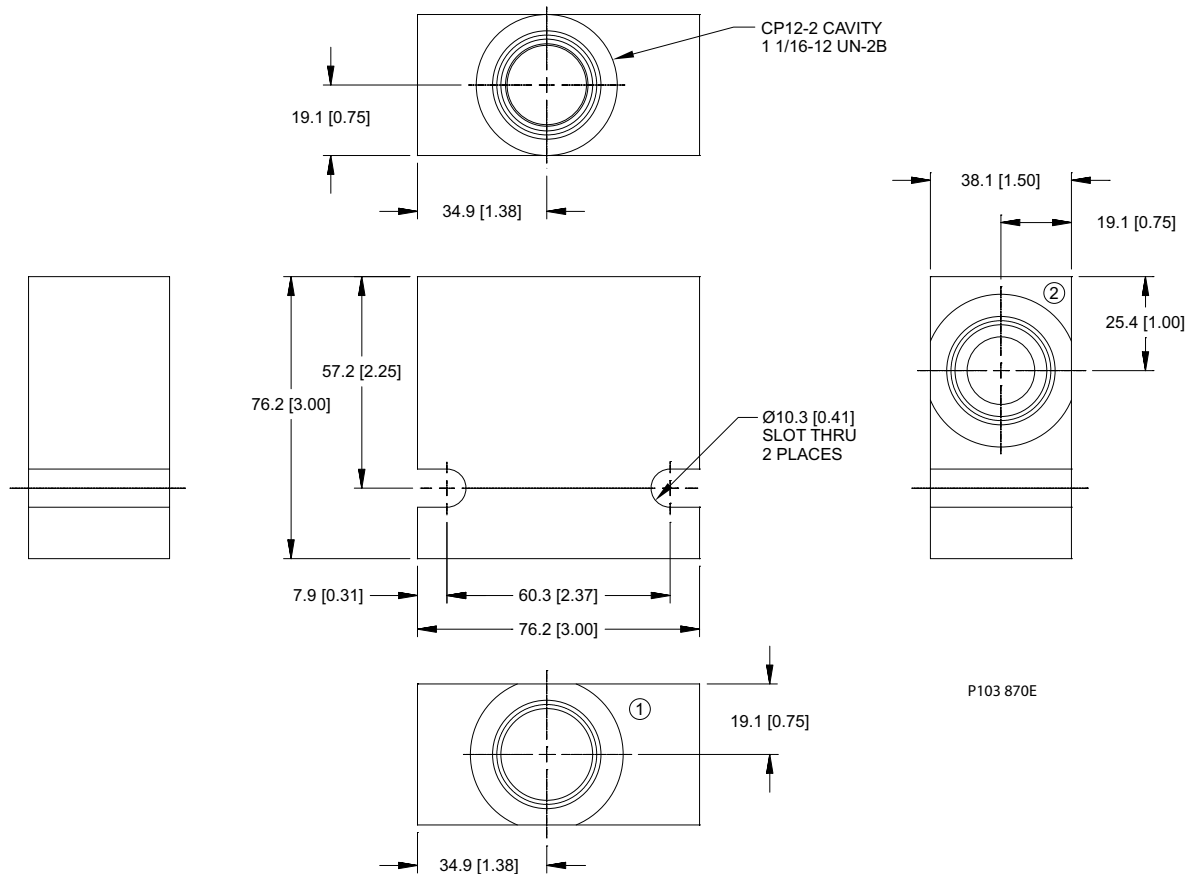


# Cartridge Valves Technical Information

## Housings

### CP12-2 (Standard)

#### Housing drawing



#### Options

Order Code	Description	Style	Ports
CP12-2-10S	Aluminum Housing	Standard	SAE #10
CP12-2-12S	Aluminum Housing	Standard	SAE #12
CP12-2-4B	Aluminum housing	Standard	1/2 BSP
CP12-2-6B	Aluminum housing	Standard	3/4 BSP
CP12-2-S10S	Steel Housing	Standard	SAE #10
CP12-2-S12S	Steel Housing	Standard	SAE #12

CP12-2 (Standard) Housings

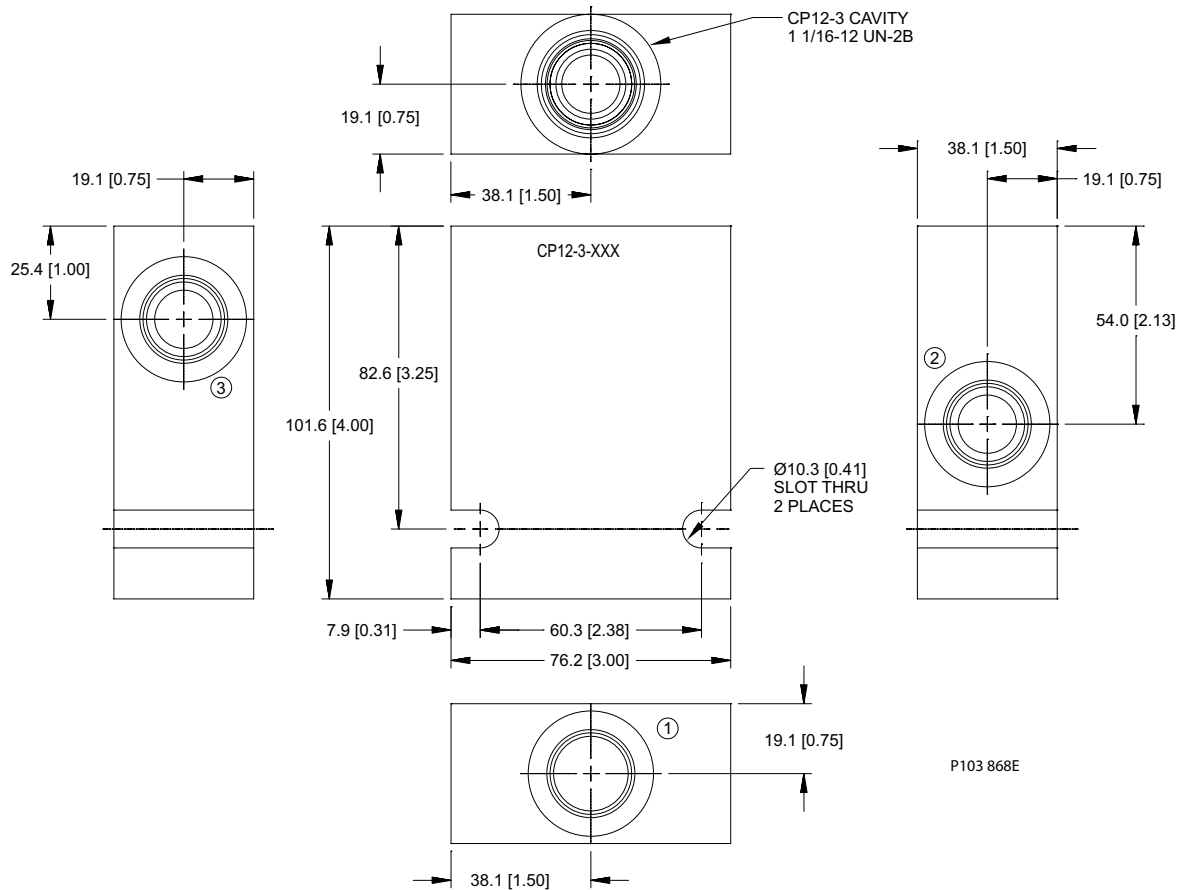


## Cartridge Valves Technical Information

### Housings

### CP12-3 (Standard)

#### Dimensions



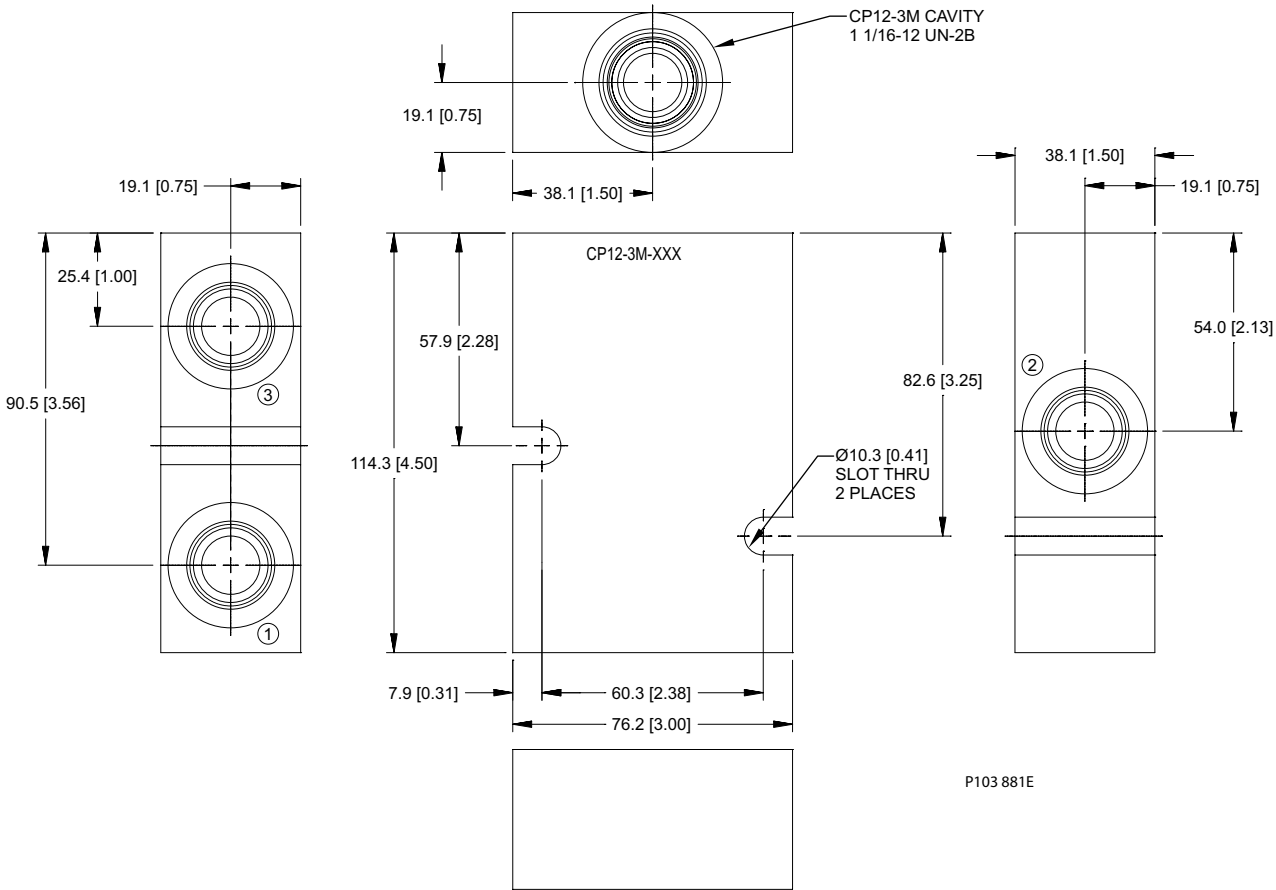
#### Options

Order Code	Description	Style	Ports
CP12-3-10S	Aluminum Housing	Standard	SAE #10
CP12-3-12S	Aluminum Housing	Standard	SAE #12
CP12-3-4B	Aluminum Housing	Standard	1/2 BSP
CP12-3-6B	Aluminum Housing	Standard	3/4 BSP
CP12-3-S10S	Steel Housing	Standard	SAE #10
CP12-3-S12S	Steel Housing	Standard	SAE #12



Cartridge Valves Technical Information  
 Housings  
 CP12-3M (Standard)

Housing drawing



Options

Order Code	Description	Style	Ports
CP12-3M-10S	Aluminum Housing	Standard	SAE #10
CP12-3M-12S	Aluminum Housing	Standard	SAE #12
CP12-3M-6B	Aluminum Housing	Standard	3/4 BSP

CP12-3M (Standard) Housings

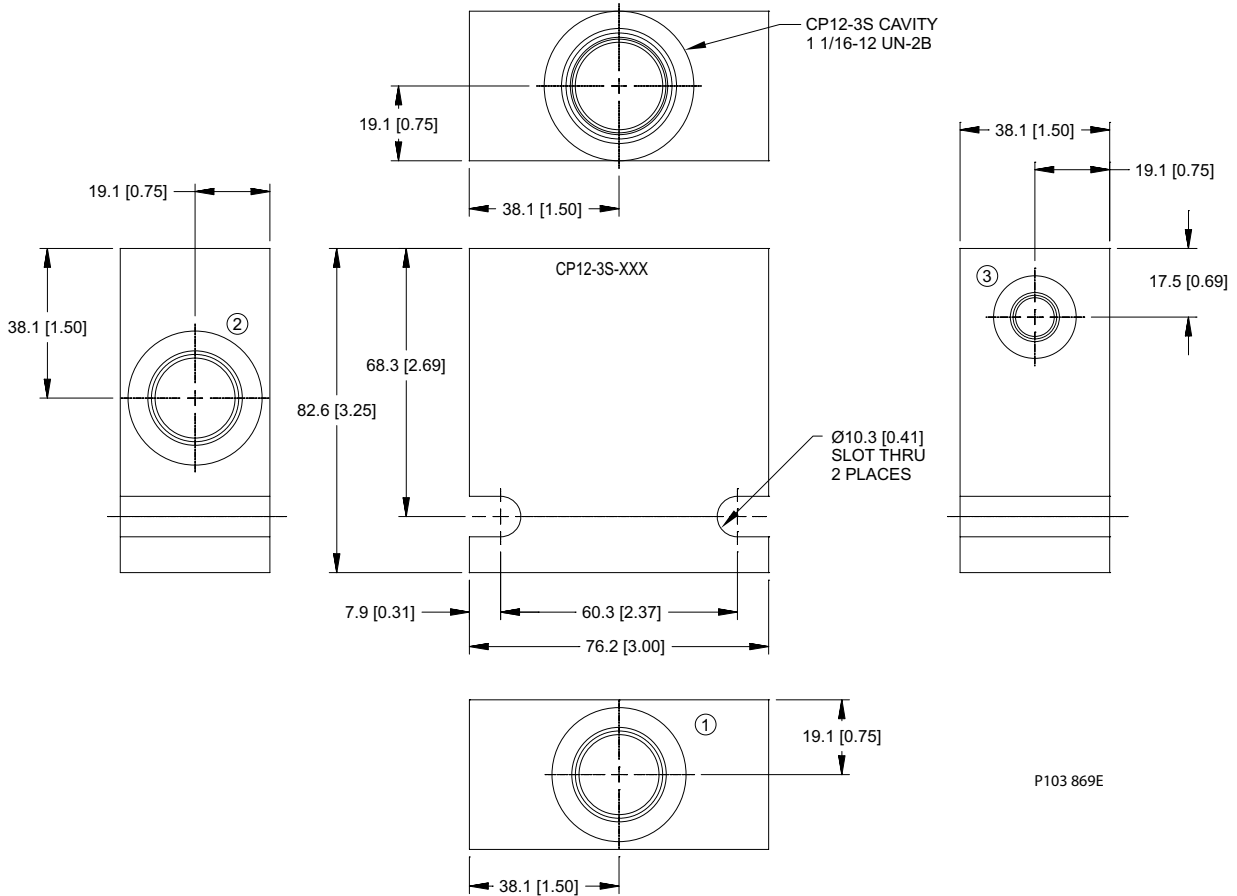


## Cartridge Valves Technical Information

### Housings

### CP12-3S (Standard)

#### Dimensions



#### Options

Order Code	Description	Style	Ports
CP12-3S-10S/4S	Aluminum Housing, Pilot at Port #3	Standard	SAE #10, #4
CP12-3S-12S/4S	Aluminum Housing, Pilot at Port #3	Standard	SAE #12, #4
CP12-3S-4B/2B	Aluminum Housing, Pilot at Port #3	Standard	1/2 BSP, 1/4 BSP
CP12-3S-6B/2B	Aluminum Housing, Pilot at Port #3	Standard	3/4 BSP, 1/4 BSP

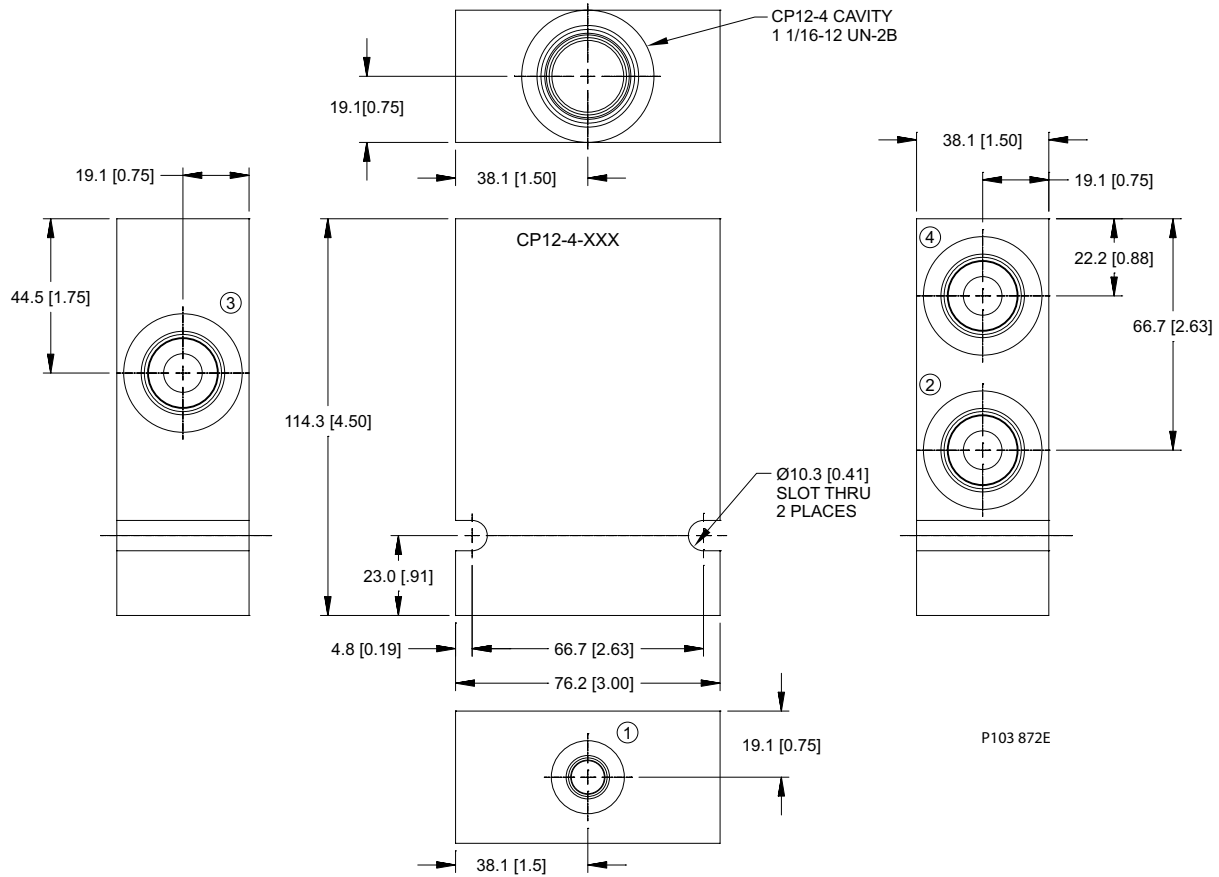


## Cartridge Valves Technical Information

### Housings

#### CP12-4 (Standard)

#### Housing drawing



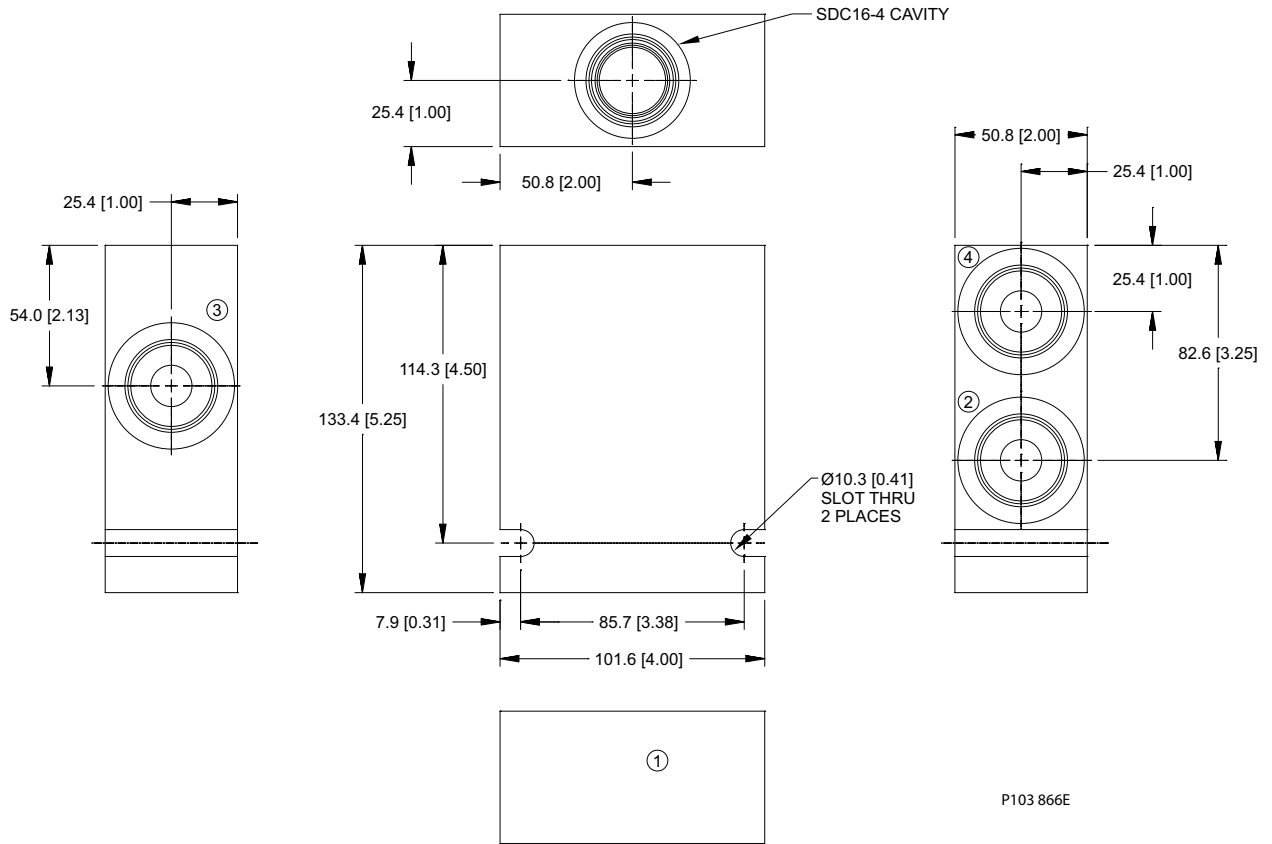
#### Options

Order Code	Description	Style	Ports
CP12-4-10S	Aluminum Housing	Standard	SAE #10
CP12-4-10S/4S	Aluminum Housing, Pilot at Port #1	Standard	SAE #10, #4
CP12-4-10S-X1	Aluminum Housing, No Port #1	Omit port 1	SAE #10
CP12-4-3B	Aluminum Housing	Standard	3/8 BSP
CP12-4-3B-X1	Aluminum Housing, No Port #1	Omit port 1	3/8 BSP
CP12-4-4B	Aluminum Housing	Standard	1/2 BSP
CP12-4-4B-X1	Aluminum Housing, No Port #1	Omit port 1	1/2 BSP
CP12-4-8S	Aluminum Housing	Standard	SAE #8
CP12-4-8S/4S	Aluminum Housing, Pilot at Port #1	Standard	SAE #10, #4
CP12-4-8S-X1	Aluminum Housing, No Port #1	Omit port 1	SAE #8



Cartridge Valves Technical Information  
Housings  
CP16-4 (Omit port 1)

Dimensions



Options

Order Code	Description	Style	Ports
CP16-4-12S-X1	Aluminum Housing, No Port #1	Omit port 1	SAE #12
CP16-4-16S-X1	Aluminum Housing, No Port #1	Omit port 1	SAE #16

CP16-4 (Omit port 1)  
Housings

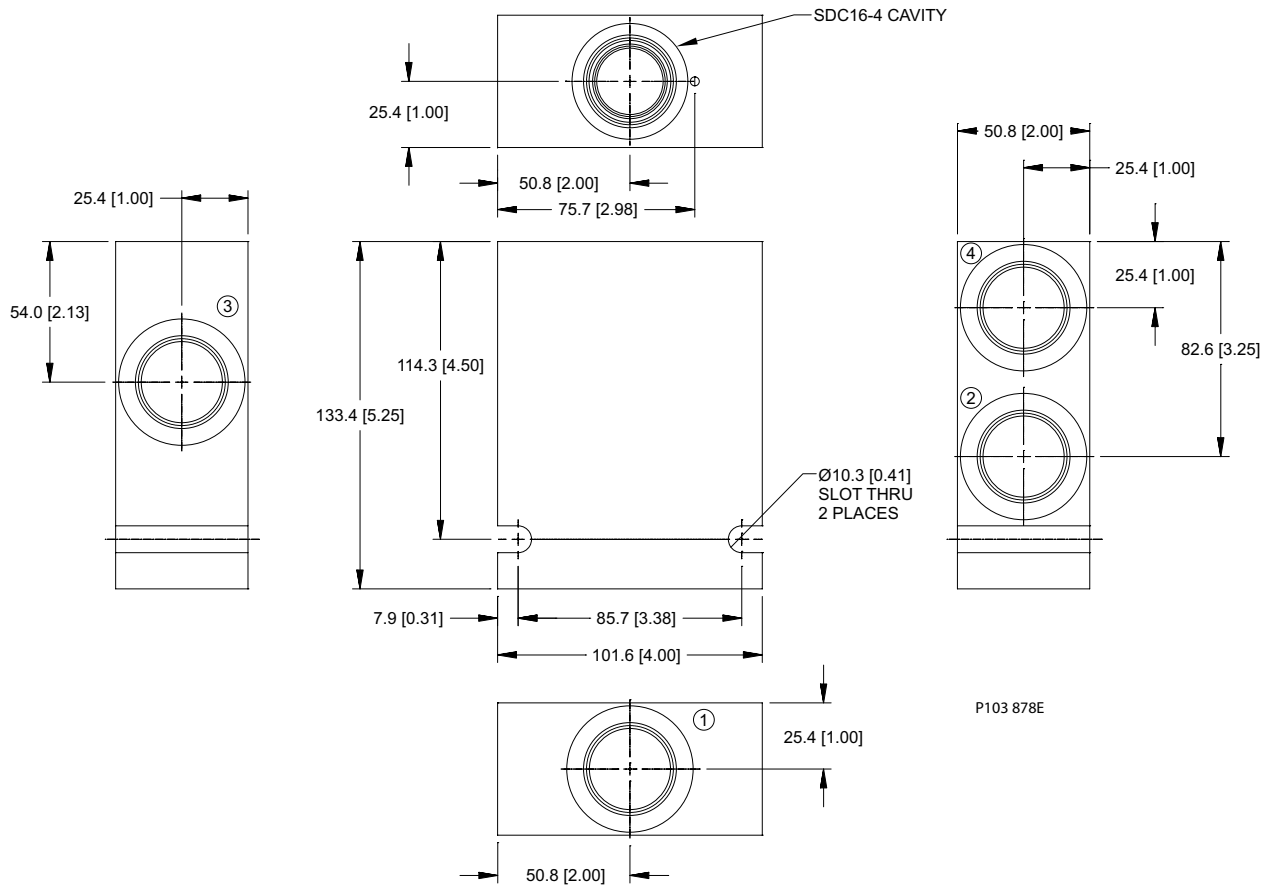


## Cartridge Valves Technical Information

### Housings

#### CP16-4 (Standard)

#### Housing drawing



#### Options

Order Code	Description	Style	Ports
CP16-4-12S	Aluminum Housing	Standard	SAE #12
CP16-4-16S	Aluminum Housing	Standard	SAE #16
CP16-4-6B	Aluminum Housing	Standard	3/4 BSP
CP16-4-8B	Aluminum Housing	Standard	1 BSP



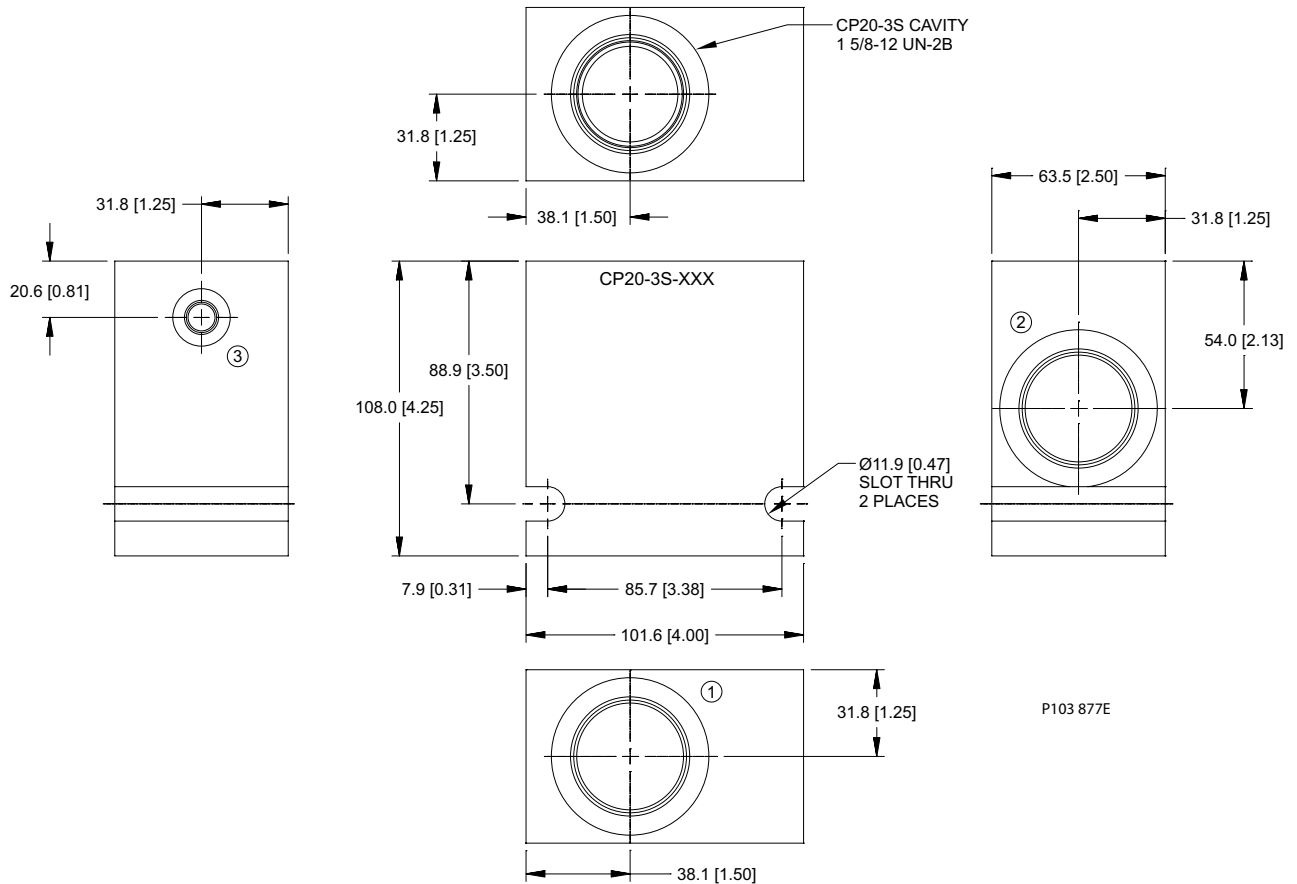


## Cartridge Valves Technical Information

### Housings

### CP20-3S (Standard)

#### Dimensions



#### Options

Order Code	Description	Style	Ports
CP20-3S-10B/2B	Aluminum Housing, Pilot at Port #3	Standard	1 1/4 BSP, 1/4 BSP
CP20-3S-16S/4S	Aluminum Housing, Pilot at Port #3	Standard	SAE #16, #4
CP20-3S-20S/4S	Aluminum Housing, Pilot at Port #3	Standard	SAE #20, #4
CP20-3S-8B/2B	Aluminum Housing, Pilot at Port #3	Standard	1 BSP, 1/4 BSP

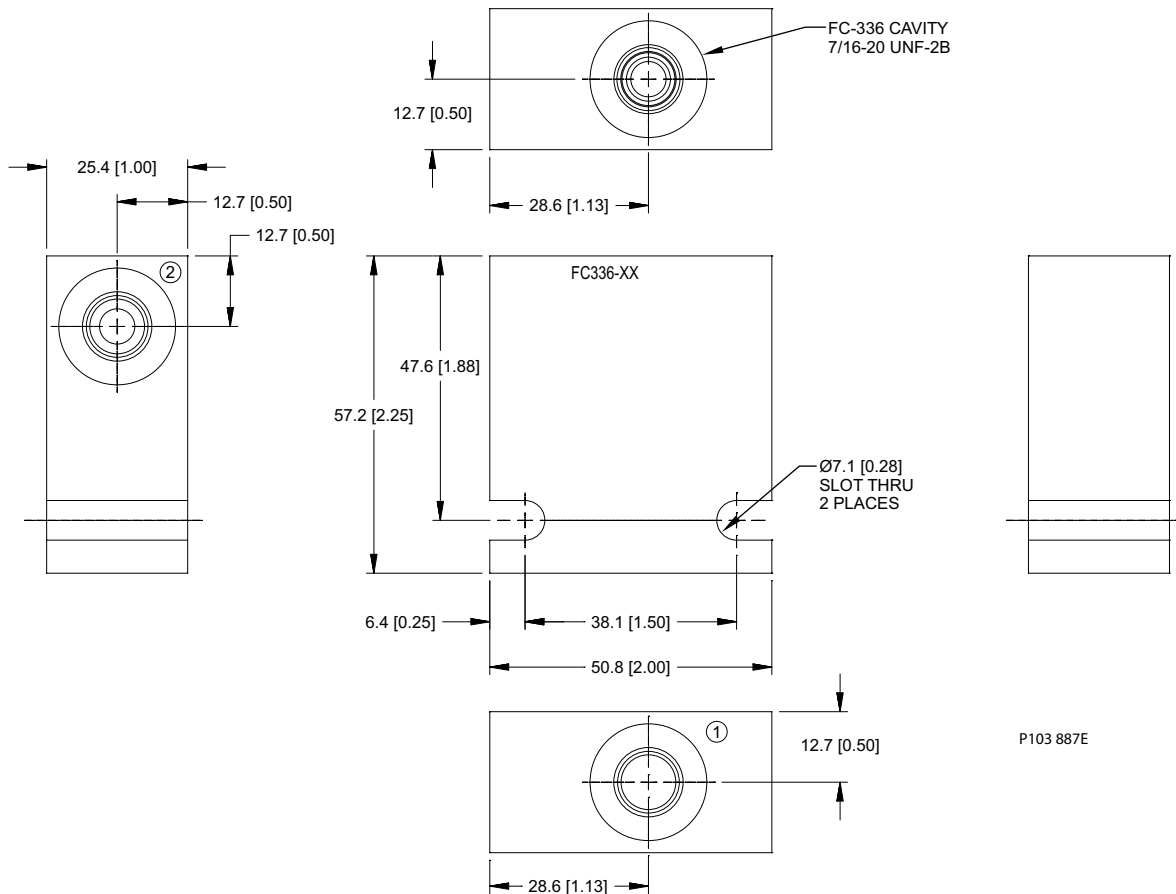


# Cartridge Valves Technical Information

## Housings

### FC-336 (Standard)

#### Housing drawing



#### Options

Order Code	Description	Style	Ports
FC336-4S	Aluminum Housing	Standard	SAE #4

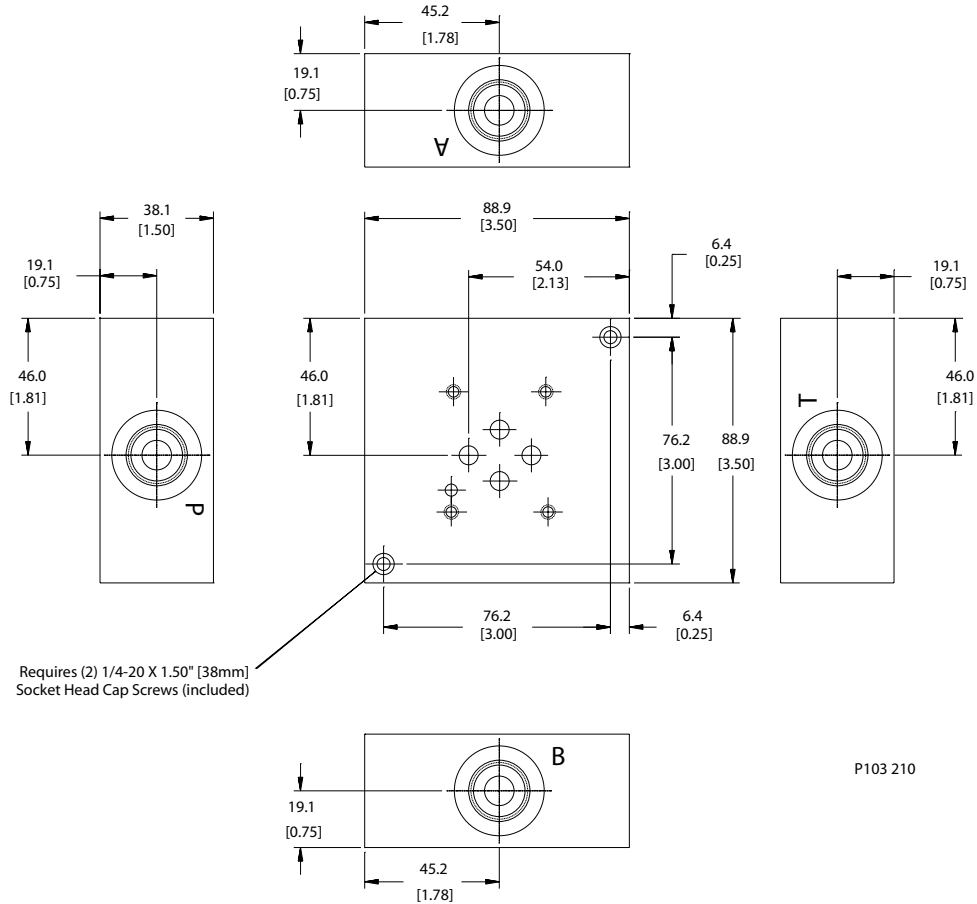


# Cartridge Valves Technical Information

## Housings

### ISO D03 (AL)

#### Dimensions



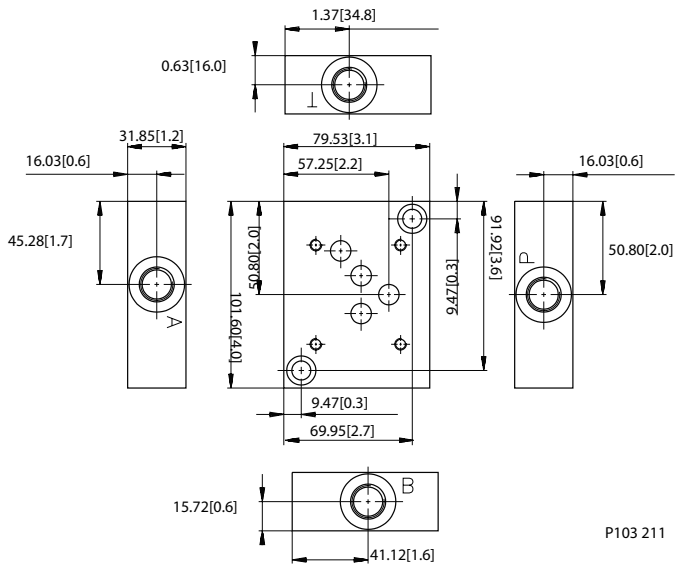
#### Options

Order Code	Description	Style	Ports
UDPS-06-AL	ISO D03 Subplate, Aluminum	AL	#8 SAE
UDPS-06-DI	ISO D03 Subplate, Ductile Iron	DI	#8 SAE



Cartridge Valves Technical Information  
Housings  
ISO D05 (AL)

Housing drawing



Options

Order Code	Description	Style	Ports
UDPS-10-AL	ISO D05 Subplate, Aluminum	AL	#8 SAE
UDPS-10-DI	ISO D05 Subplate, Ductile Iron	DI	#8 SAE

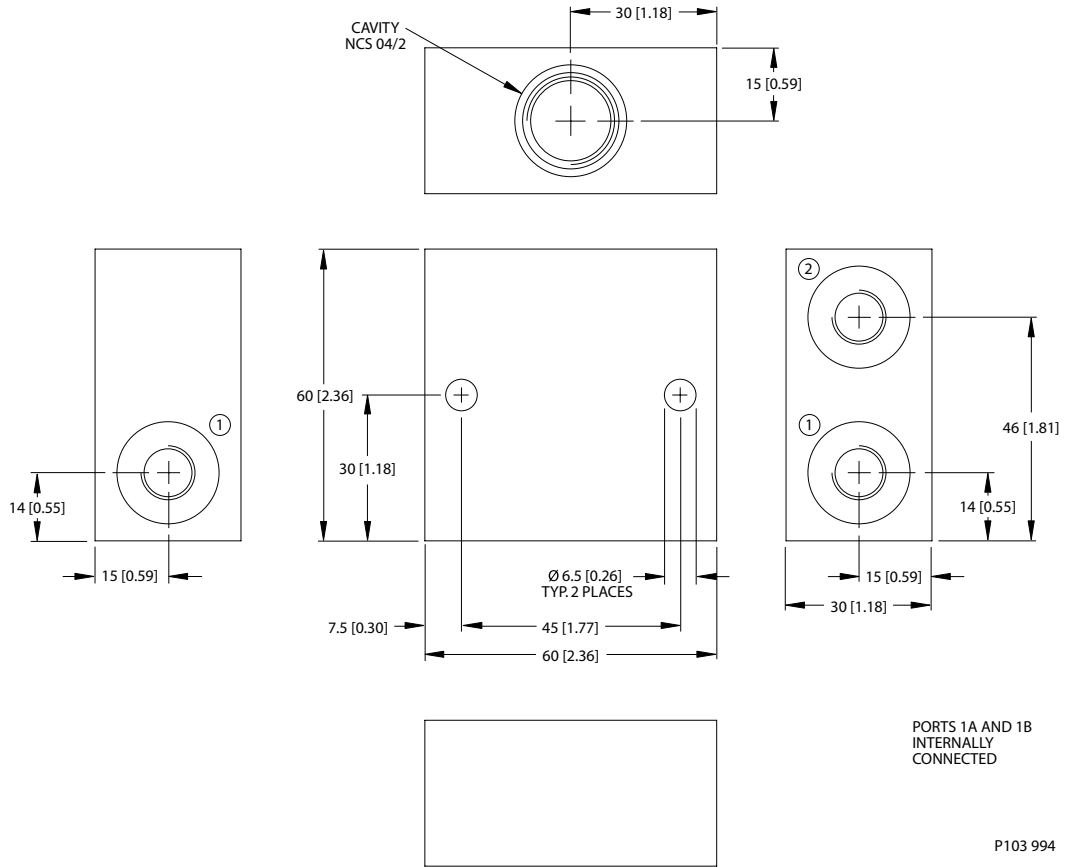


# Cartridge Valves Technical Information

## Housings

### NCS04/2 (LG2)

#### Dimensions



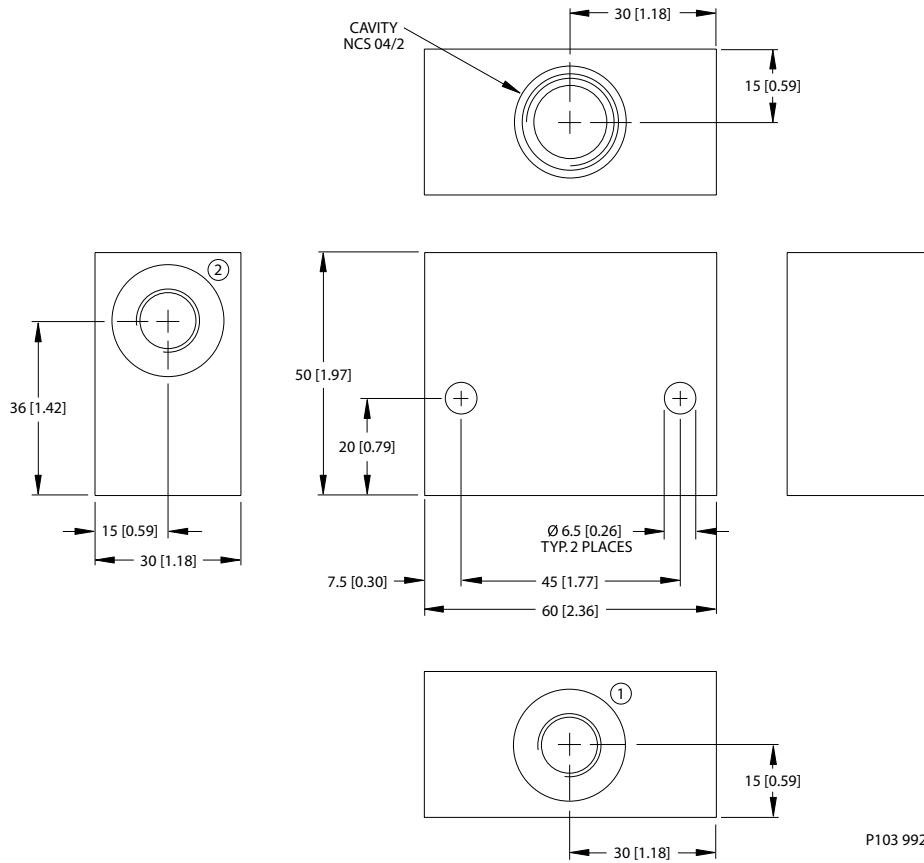
#### Options

Order Code	Description	Style	Ports
NCS04/2-LG2-1/4	Aluminum Housing, Two #1 Ports	LG2	1/4 BSP
NCS04/2-LG2-4S	Aluminum Housing, Two #1 Ports	LG2	SAE #4
NCS04/2-LG2-6S	Aluminum Housing, Two #1 Ports	LG2	SAE #6



Cartridge Valves Technical Information  
Housings  
NCS04/2 (DG)

Housing drawing



P103 992

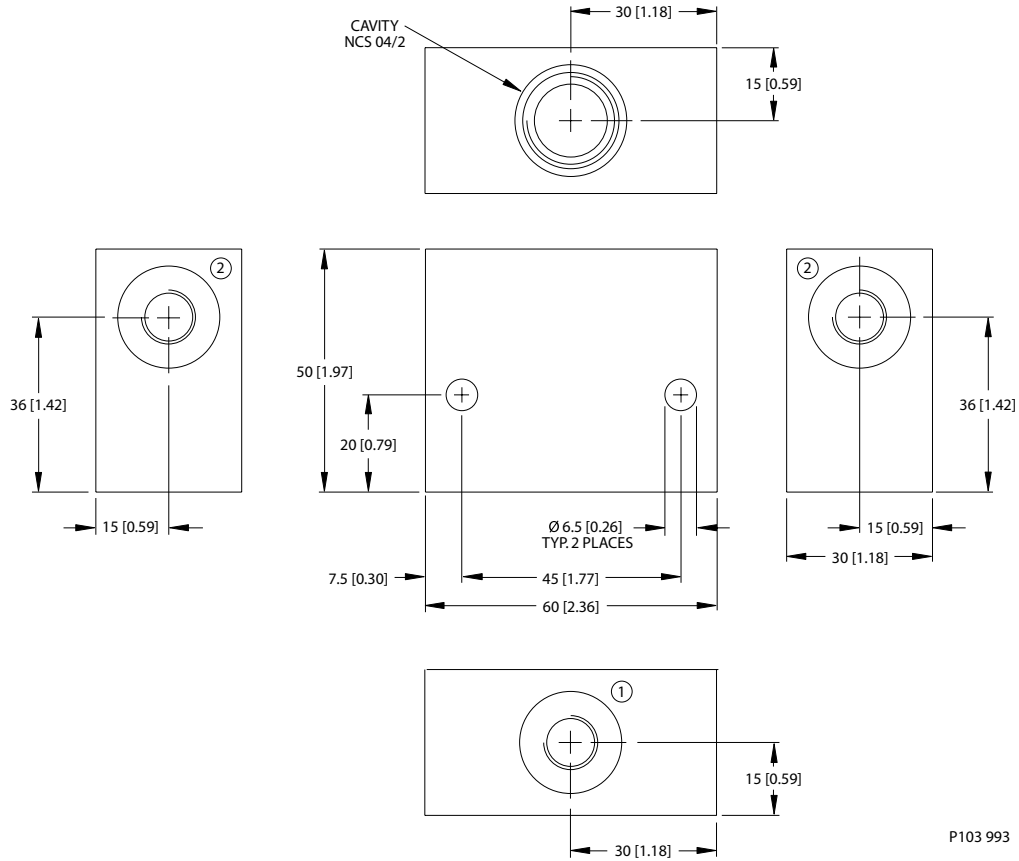
Options

Order Code	Description	Style	Ports
NCS04/2-DG-1/4	Aluminum Housing	DG	1/4 BSP
NCS04/2-DG-4S	Aluminum Housing	DG	SAE #4
NCS04/2-DG-6S	Aluminum Housing	DG	SAE #6



Cartridge Valves Technical Information  
Housings  
NCS04/2 (LG1)

Dimensions



P103 993

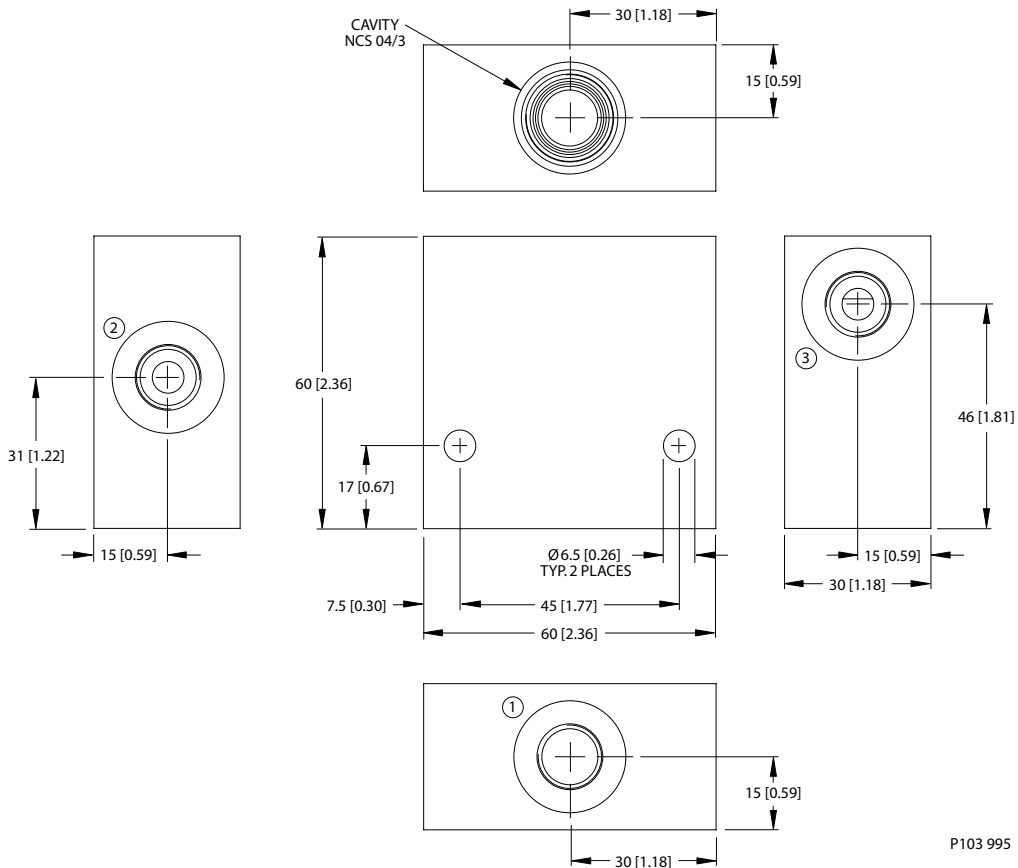
Options

Order Code	Description	Style	Ports
NCS04/2-LG1-1/4	Aluminum Housing, Two #2 Ports	LG1	1/4 BSP
NCS04/2-LG1-4S	Aluminum Housing, Two #2 Ports	LG1	SAE #4
NCS04/2-LG1-6S	Aluminum Housing, Two #2 Ports	LG1	SAE #6



Cartridge Valves Technical Information  
Housings  
NCS04/3 (SE)

Housing drawing



Options

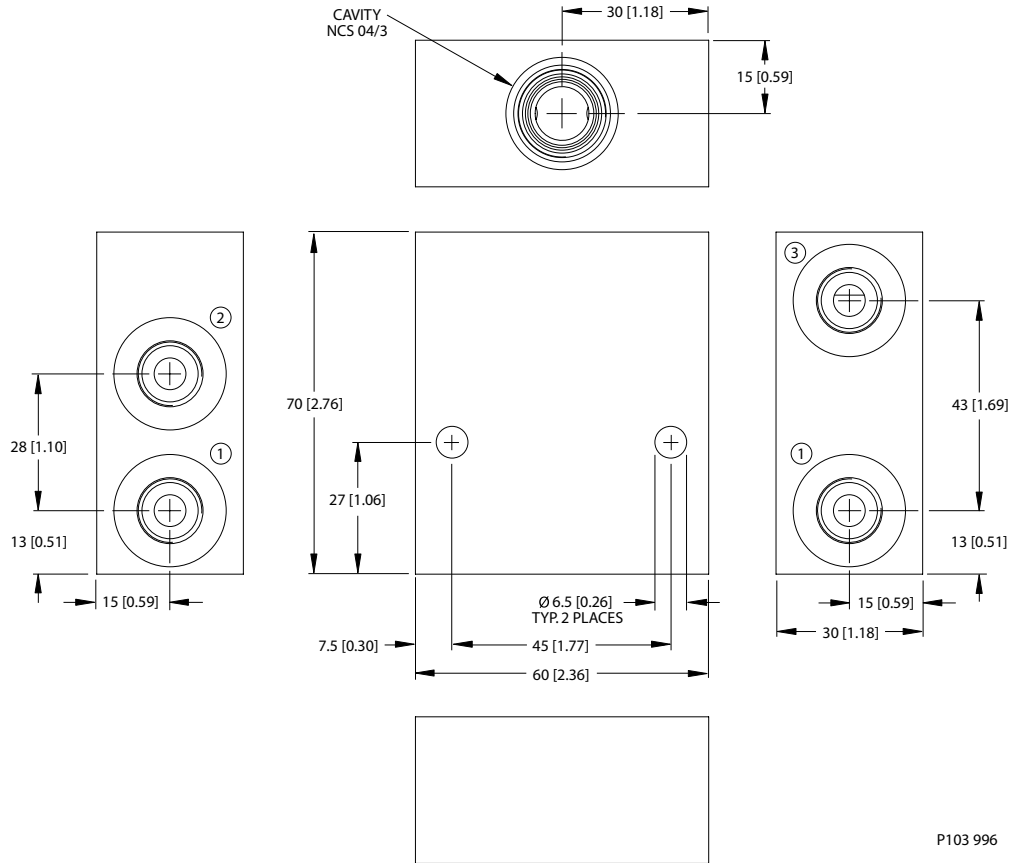
Order Code	Description	Style	Ports
NCS04/3-SE-1/4	Aluminum Housing	SE	1/4 BSP





Cartridge Valves Technical Information  
Housings  
NCS04/3 (SI)

Dimensions



Options

Order Code	Description	Style	Ports
NCS04/3-SI-1/4	Aluminum Housing, Two #1 Ports	SI	1/4 BSP

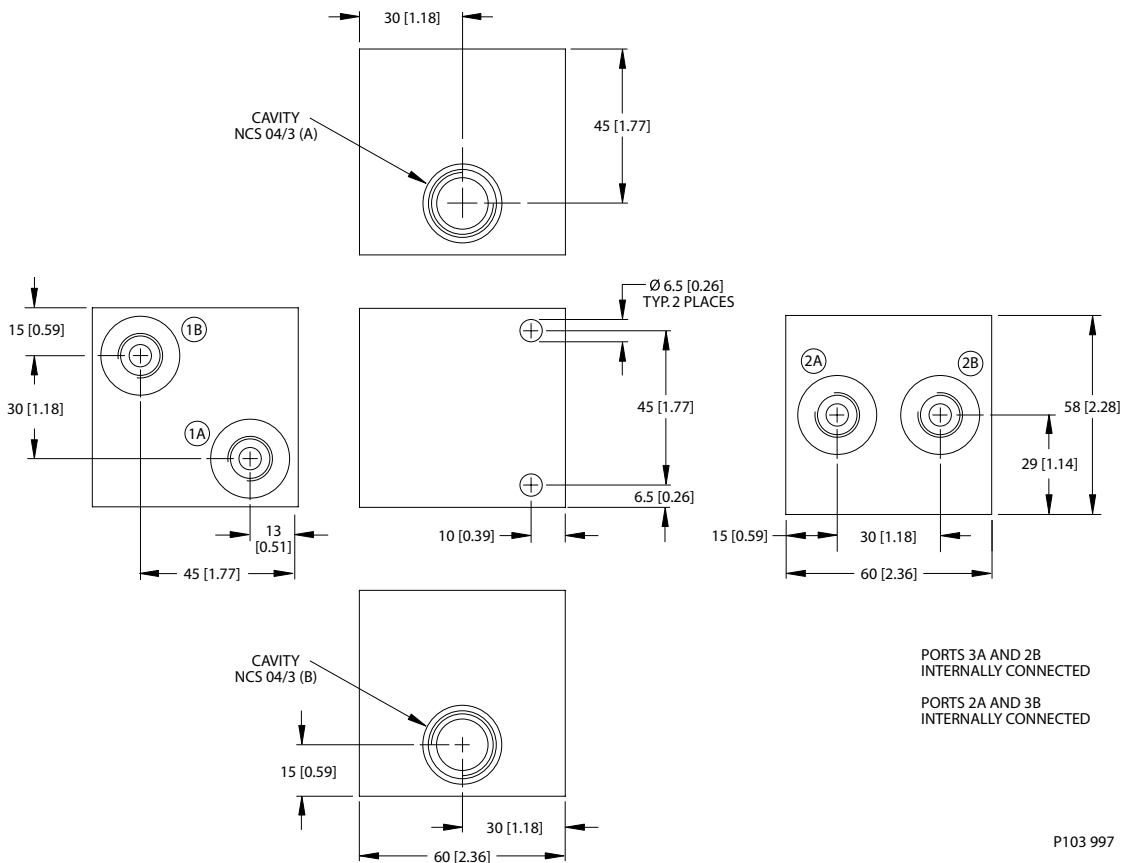


# Cartridge Valves Technical Information

## Housings

### NCS04/3 (DI)

#### Housing drawing



#### Options

Order Code	Description	Style	Ports
NCS04/3-DI-1/4	Alum. Hsg., 2 Cavities w/#3 Ports Conn.	DI	1/4 BSP
NCS04/3-DI-3/8	Alum. Hsg., 2 Cavities w/#3 Ports Conn.	DI	3/8 BSP

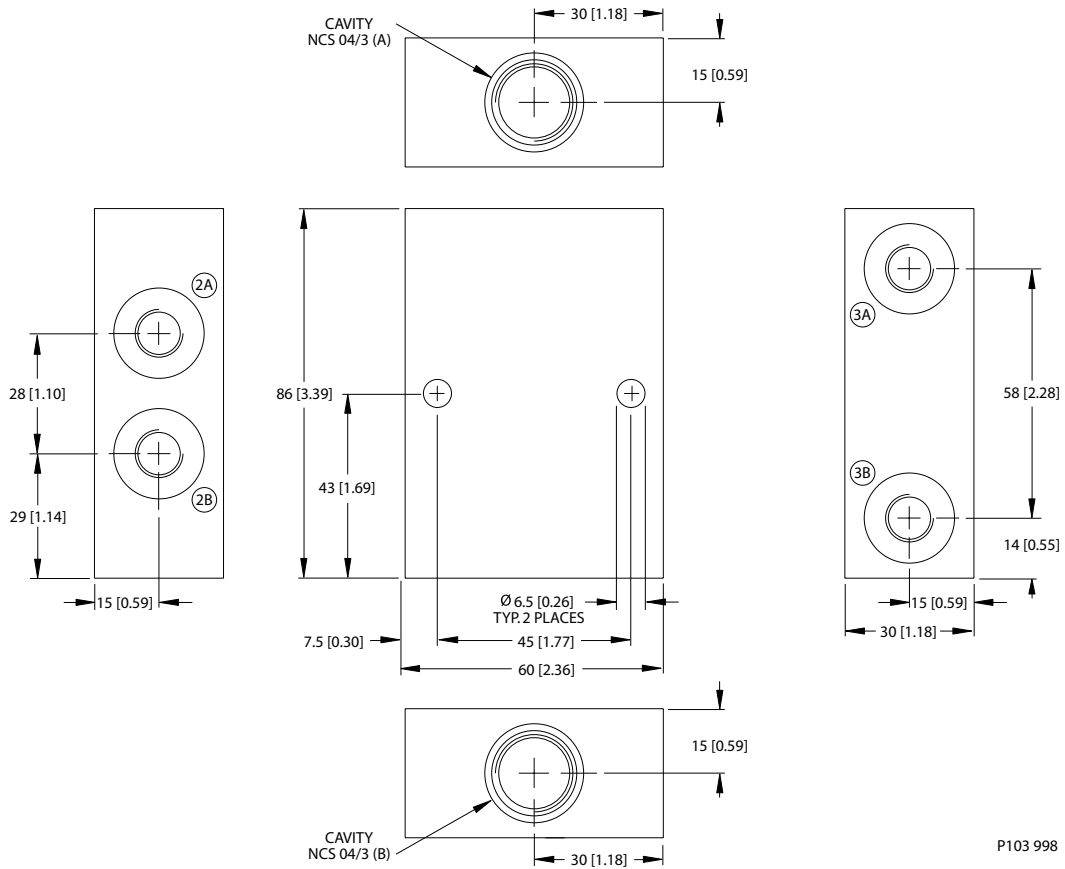


# Cartridge Valves Technical Information

## Housings

### NCS04/3 (DL)

#### Dimensions



P103 998

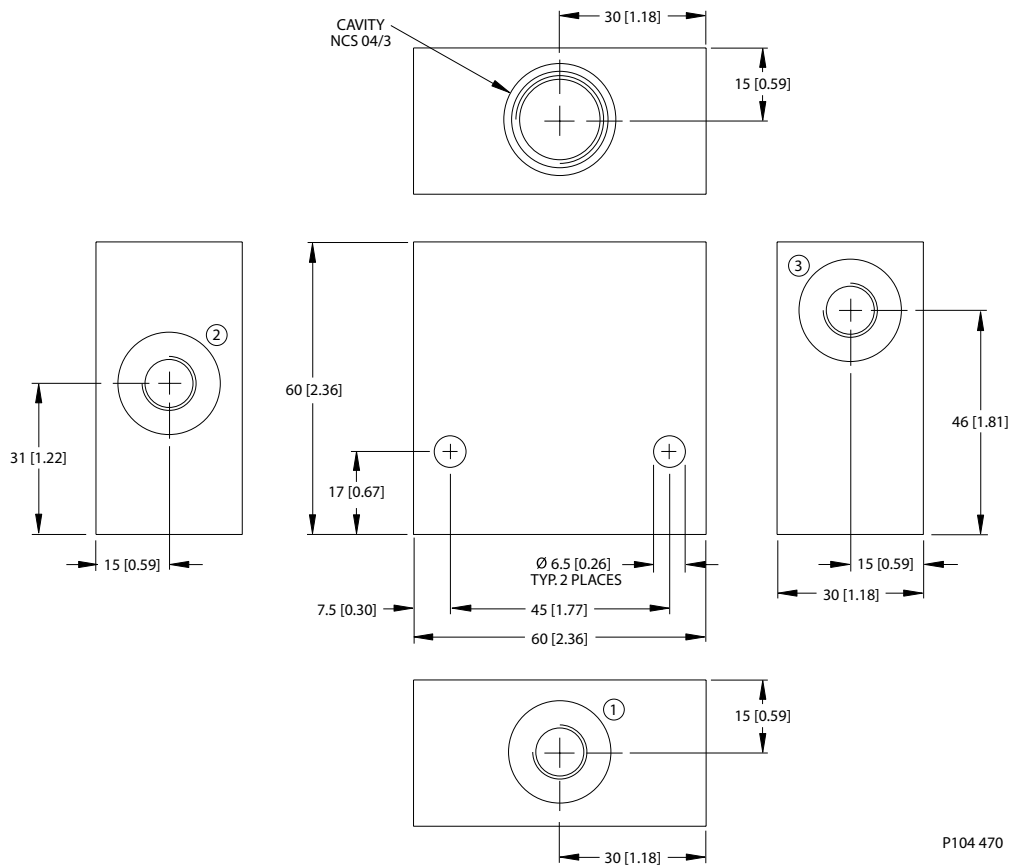
#### Options

Order Code	Description	Style	Ports
NCS04/3-DL-1/4	Alum. Hsg., 2 Cavities w/#1 Ports Conn.	DL	1/4 BSP
NCS04/3-DL-4S	Alum. Hsg., 2 Cavities w/#1 Ports Conn.	DL	SAE #4
NCS04/3-DL-6S	Alum. Hsg., 2 Cavities w/#1 Ports Conn.	DL	SAE #6



Cartridge Valves Technical Information  
Housings  
NCS04/3 (SE)

Housing drawing



P104 470

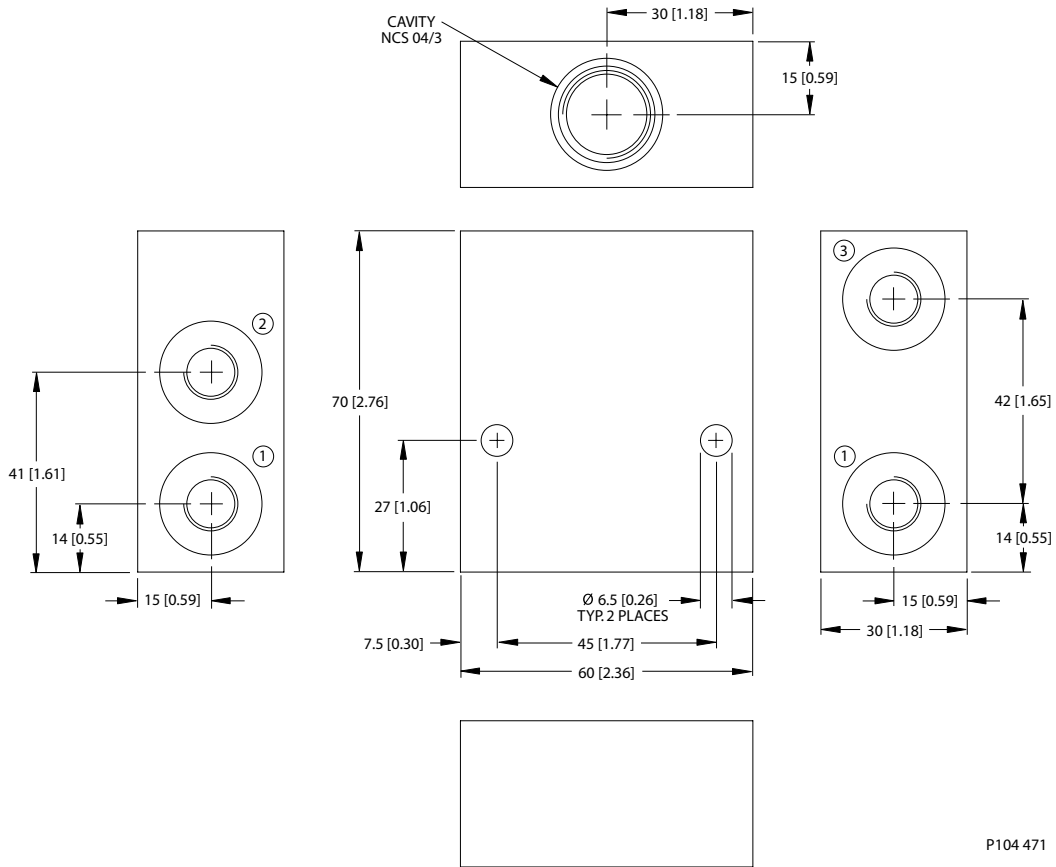
Options

Order Code	Description	Style	Ports
NCS04/3-SE-4S	Aluminum Housing	SE	SAE #4
NCS04/3-SE-6S	Aluminum Housing	SE	SAE #6



Cartridge Valves Technical Information  
Housings  
NCS04/3 (SI)

Dimensions



P104 471

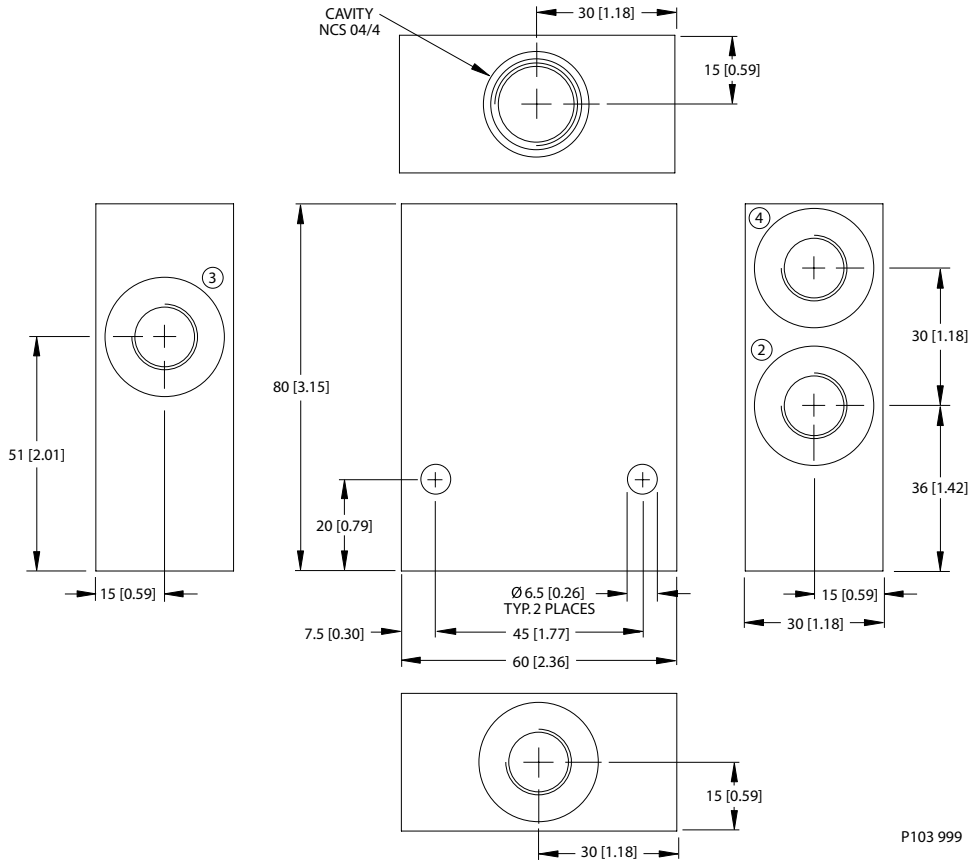
Options

Order Code	Description	Style	Ports
NCS04/3-SI-4S	Aluminum Housing, Two #1 Ports	SI	SAE #4
NCS04/3-SI-6S	Aluminum Housing, Two #1 Ports	SI	SAE #6



Cartridge Valves Technical Information  
Housings  
NCS04/4 (L)

Housing drawing



Options

Order Code	Description	Style	Ports
NCS04/3-L-6S	Aluminum Housing, Two #1 Ports	L	SAE #6

Housings  
NCS04/4 (L)  
NCS04/4 (L)

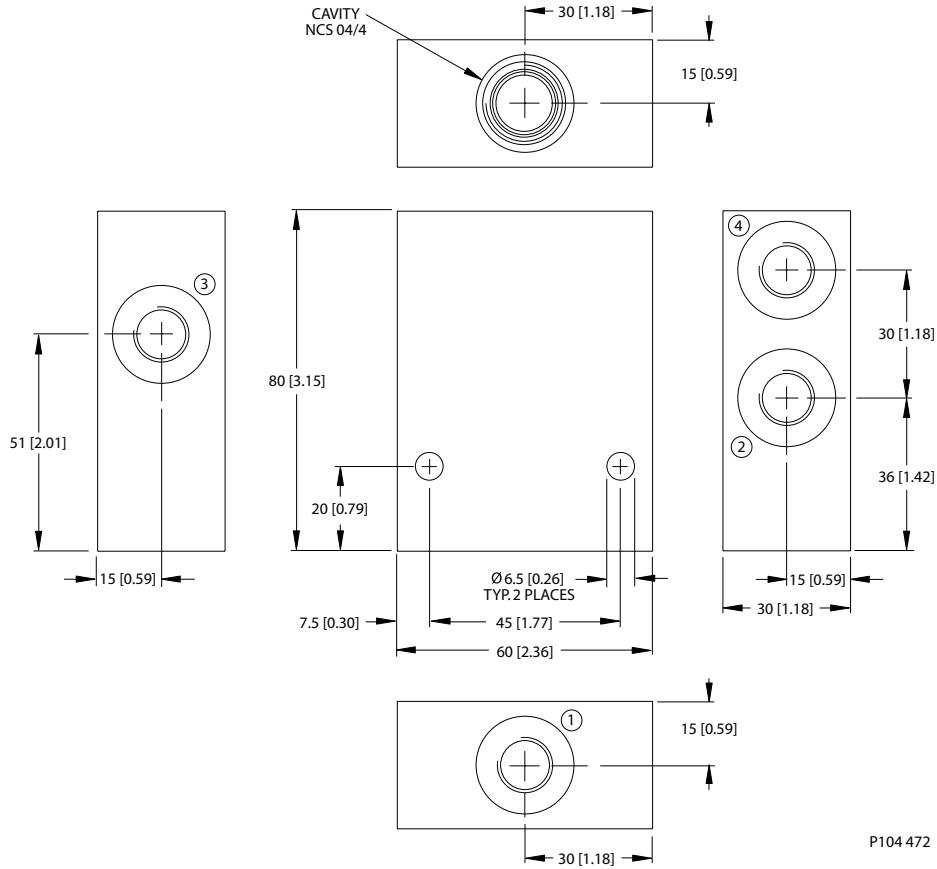


# Cartridge Valves Technical Information

## Housings

### NCS04/4 (L)

#### Dimensions



#### Options

Order Code	Description	Style	Ports
NCS04/4-L-1/4	Aluminum Housing	L	1/4 BSP
NCS04/4-L-4S	Aluminum Housing	L	SAE #4

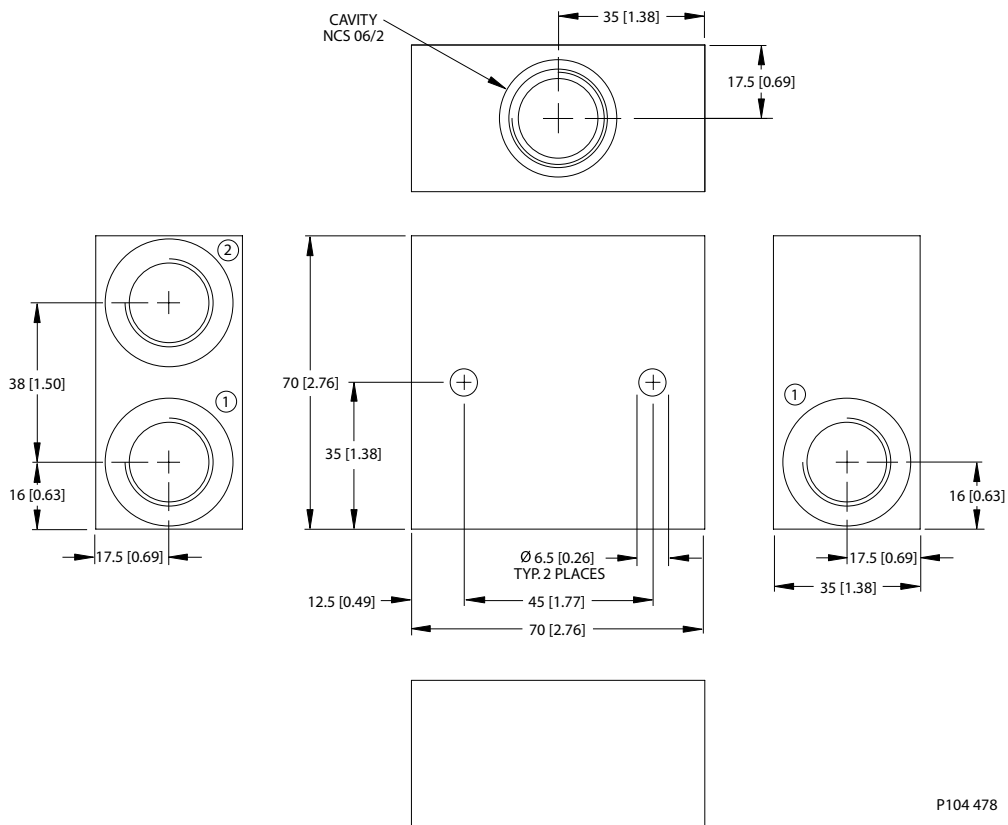


# Cartridge Valves Technical Information

## Housings

### NCS06/2 (LG2)

#### Housing drawing



P104 478

#### Options

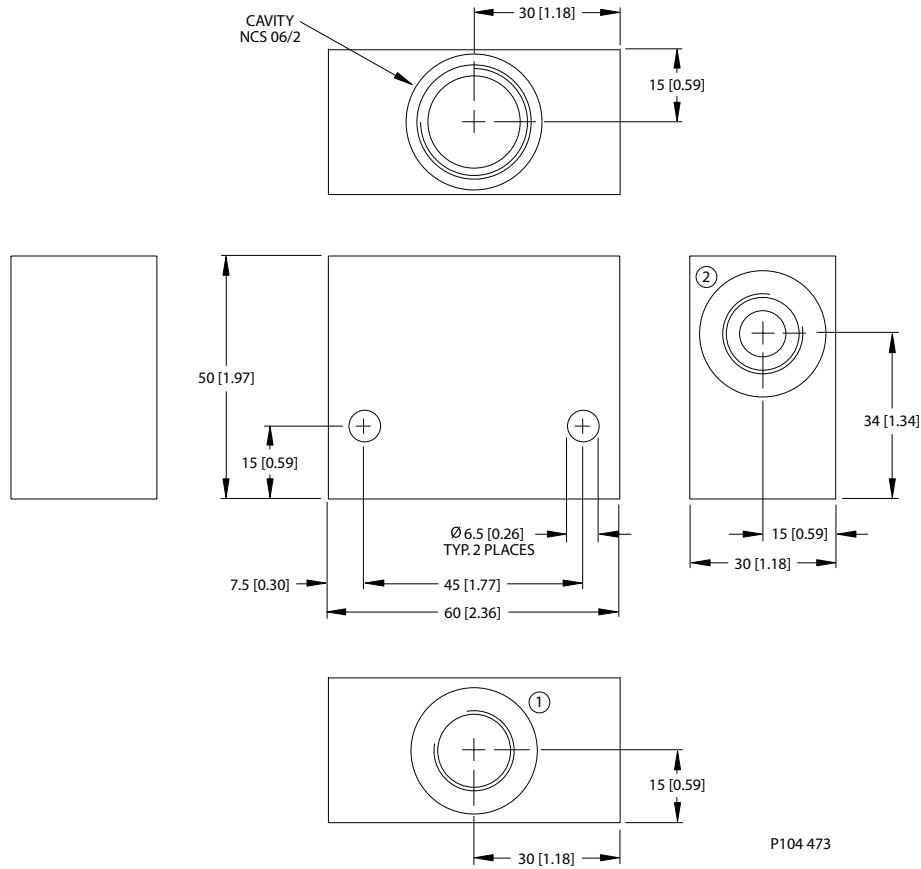
Order Code	Description	Style	Ports
NCS06/2-LG2-1/2	Aluminum Housing, Two #1 Ports	LG2	1/2 BSP
NCS06/2-LG2-8S	Aluminum Housing, Two #1 Ports	LG2	SAE #8





Cartridge Valves Technical Information  
Housings  
NCS06/2 (DG)

Dimensions



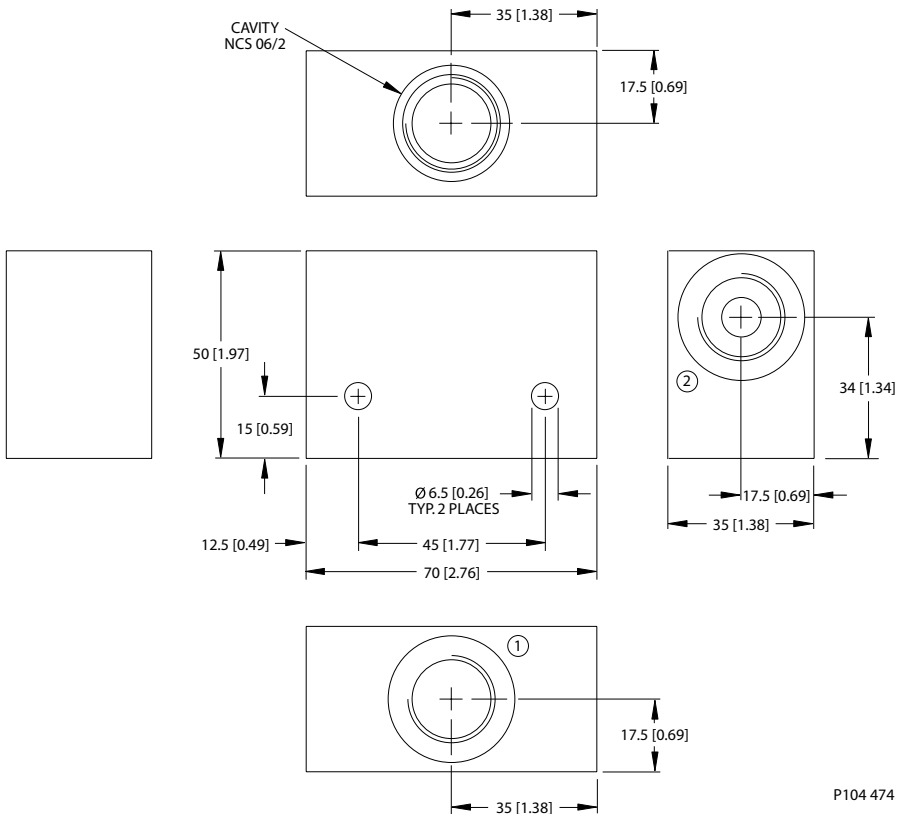
Options

Order Code	Description	Style	Ports
NCS06/2-DG-3/8	Aluminum Housing	DG	3/8 BSP
NCS06/2-DG-6S	Aluminum Housing	DG	SAE #6



Cartridge Valves Technical Information  
Housings  
NCS06/2 (DG)

Housing drawing



Options

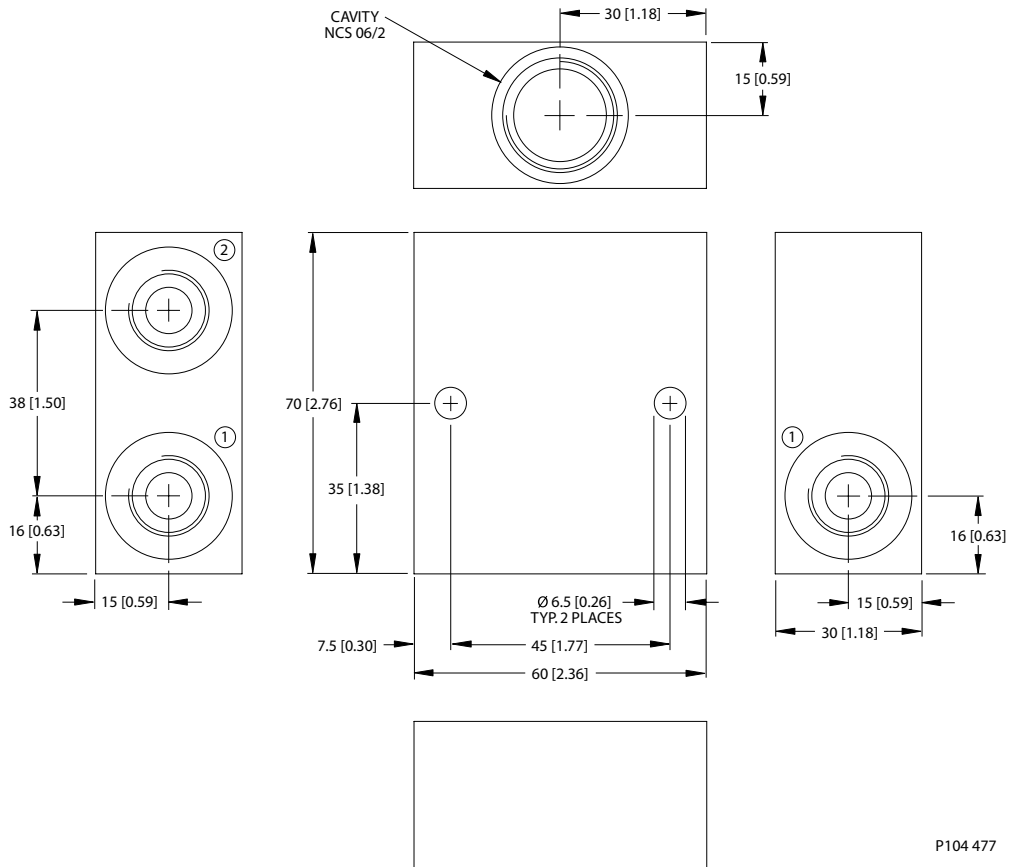
Order Code	Description	Style	Ports
NCS06/2-DG-1/2	Aluminum Housing	DG	1/2 BSP
NCS06/2-DG-8S	Aluminum Housing	DG	SAE #8

Housings  
(DG) 2/9/CS/N



Cartridge Valves Technical Information  
Housings  
NCS06/2 (LG2)

Dimensions



P104 477

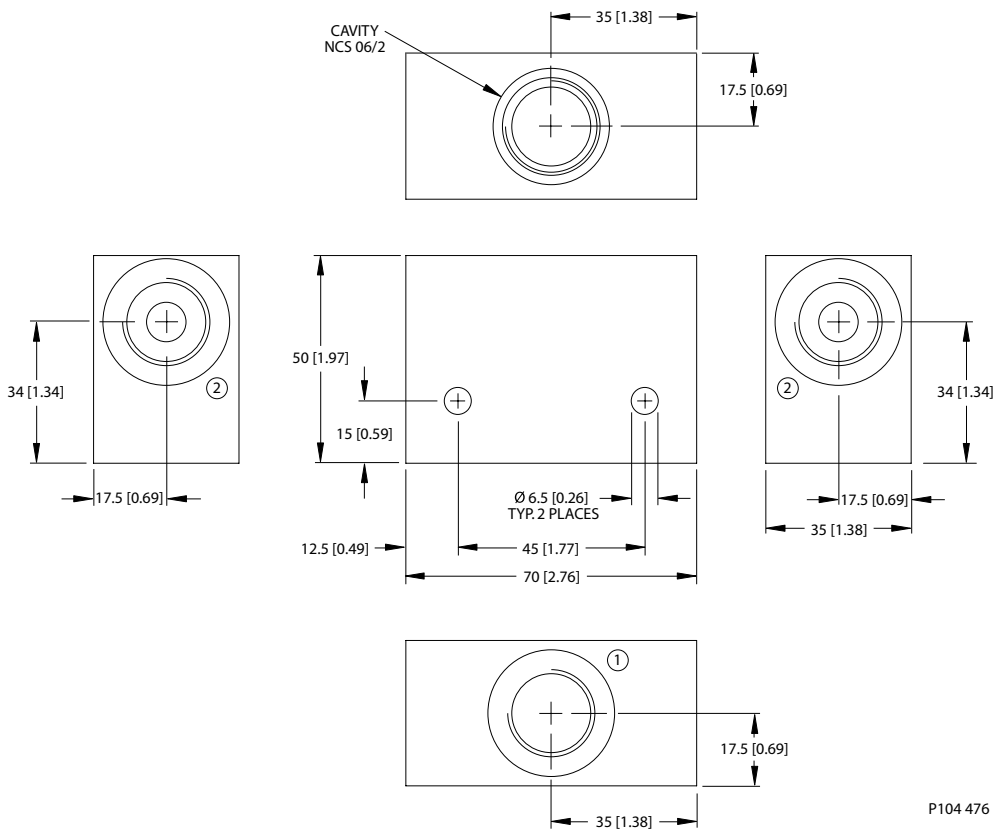
Options

Order Code	Description	Style	Ports
NCS06/2-LG2-3/8	Aluminum Housing, Two #1 Ports	LG2	3/8 BSP
NCS06/2-LG2-6S	Aluminum Housing, Two #1 Ports	LG2	SAE #6



Cartridge Valves Technical Information  
Housings  
NCS06/2 (LG1)

Housing drawing



P104 476

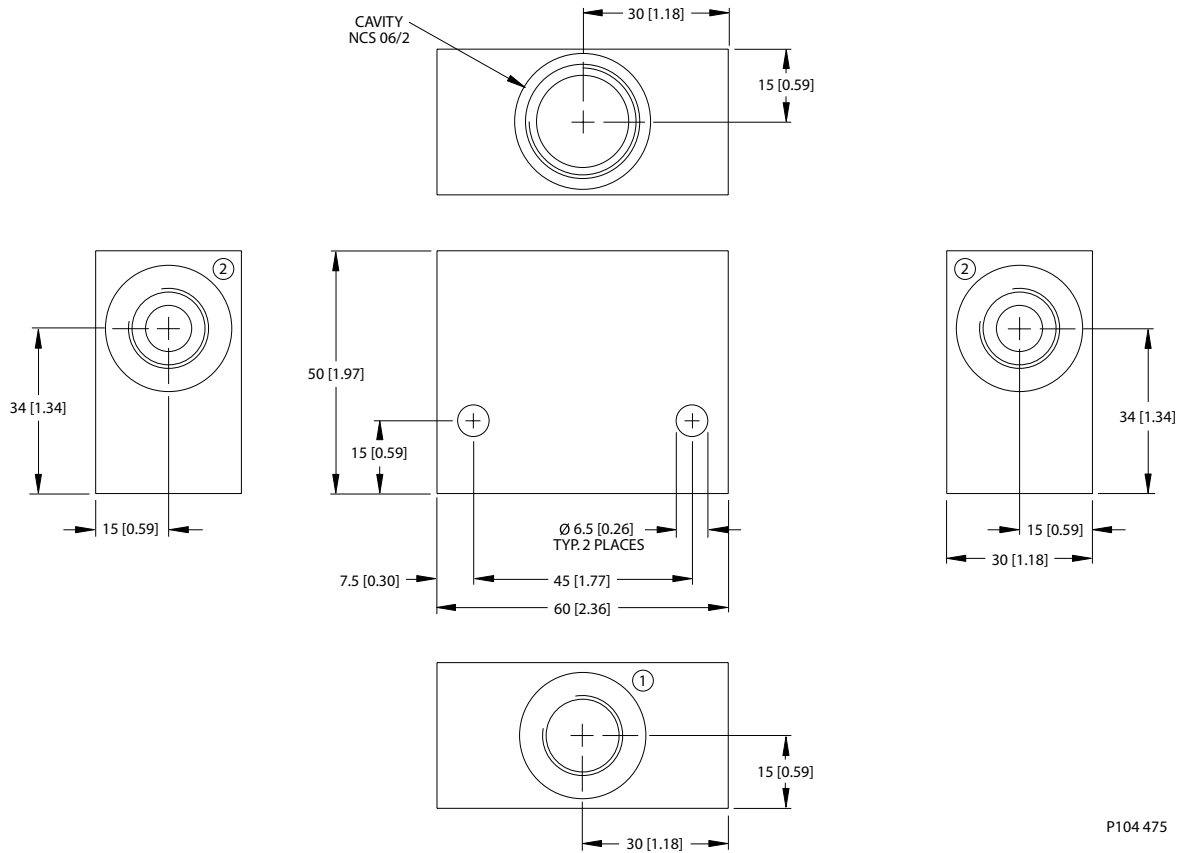
Options

Order Code	Description	Style	Ports
NCS06/2-LG1-1/2	Aluminum Housing, Two #2 Ports	LG1	1/2 BSP
NCS06/2-LG1-8S	Aluminum Housing, Two #2 Ports	LG1	SAE #8



Cartridge Valves Technical Information  
Housings  
NCS06/2 (LG1)

Dimensions



Options

Order Code	Description	Style	Ports
NCS06/2-LG1-3/8	Aluminum Housing, Two #2 Ports	LG1	3/8 BSP

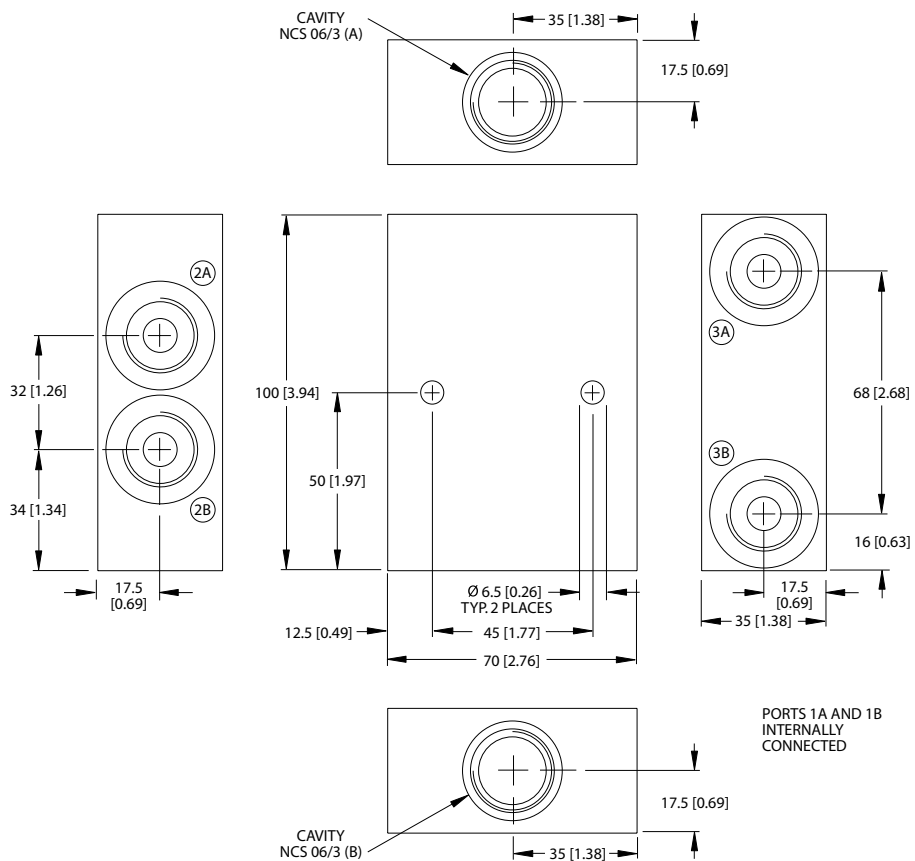


# Cartridge Valves Technical Information

## Housings

### NCS06/3 (DL)

#### Housing drawing



P104 480

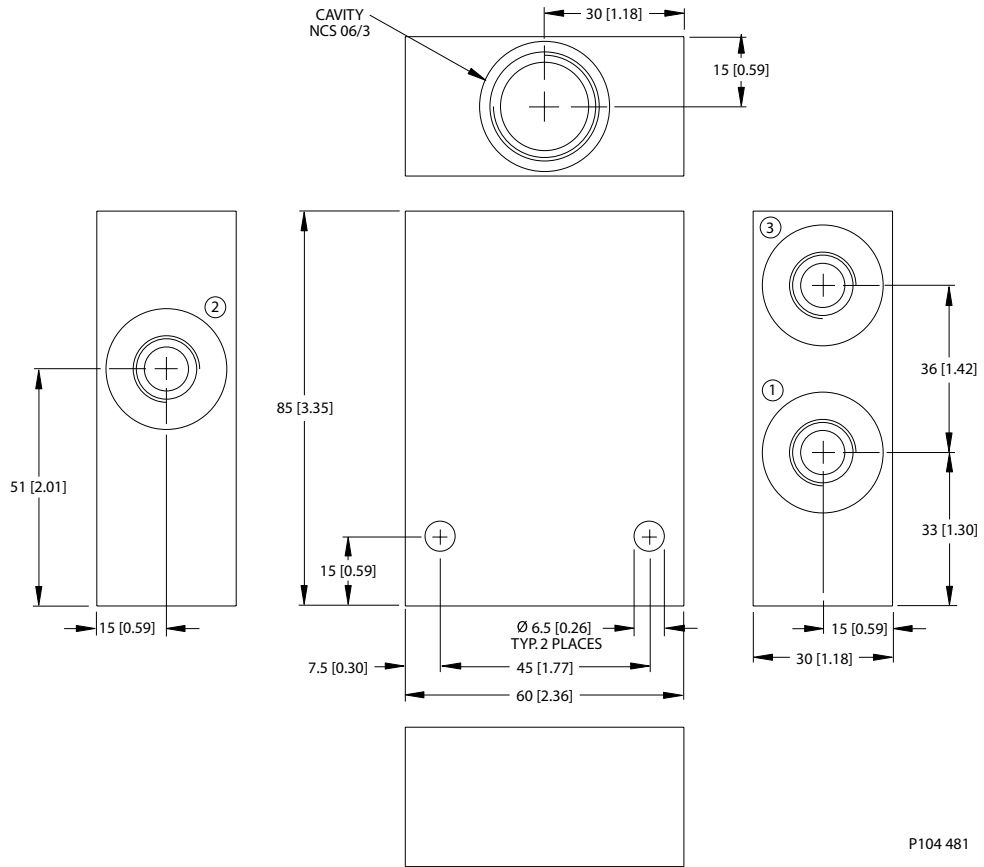
#### Options

Order Code	Description	Style	Ports
NCS06/3-DL-1/2	Alum. Hsg., 2 Cavities w/#1 Ports Conn.	DL	1/2 BSP
NCS06/3-DL-8S	Alum. Hsg., 2 Cavities w/#1 Ports Conn.	DL	SAE #8



Cartridge Valves Technical Information  
Housings  
NCS06/3 (LD)

Dimensions



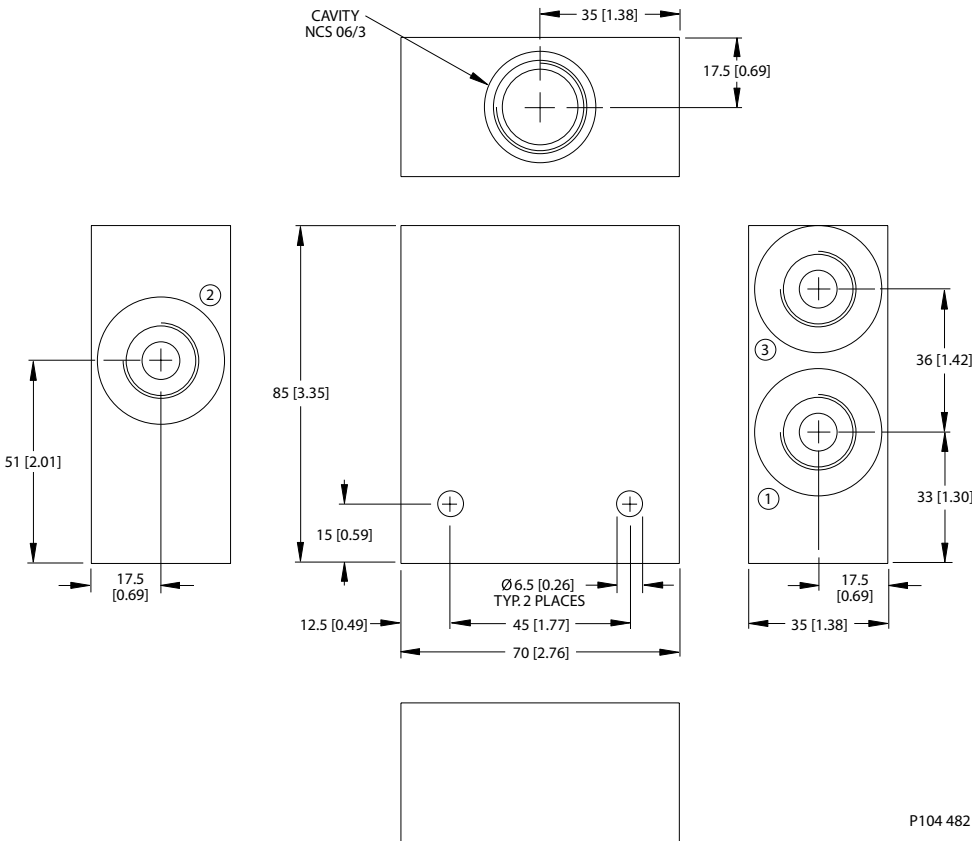
Options

Order Code	Description	Style	Ports
NCS06/3-LD-6S	Aluminum Housing, No Port #1	LD	SAE #6



Cartridge Valves Technical Information  
 Housings  
 NCS06/3 (LD)

Housing drawing



P104 482

Options

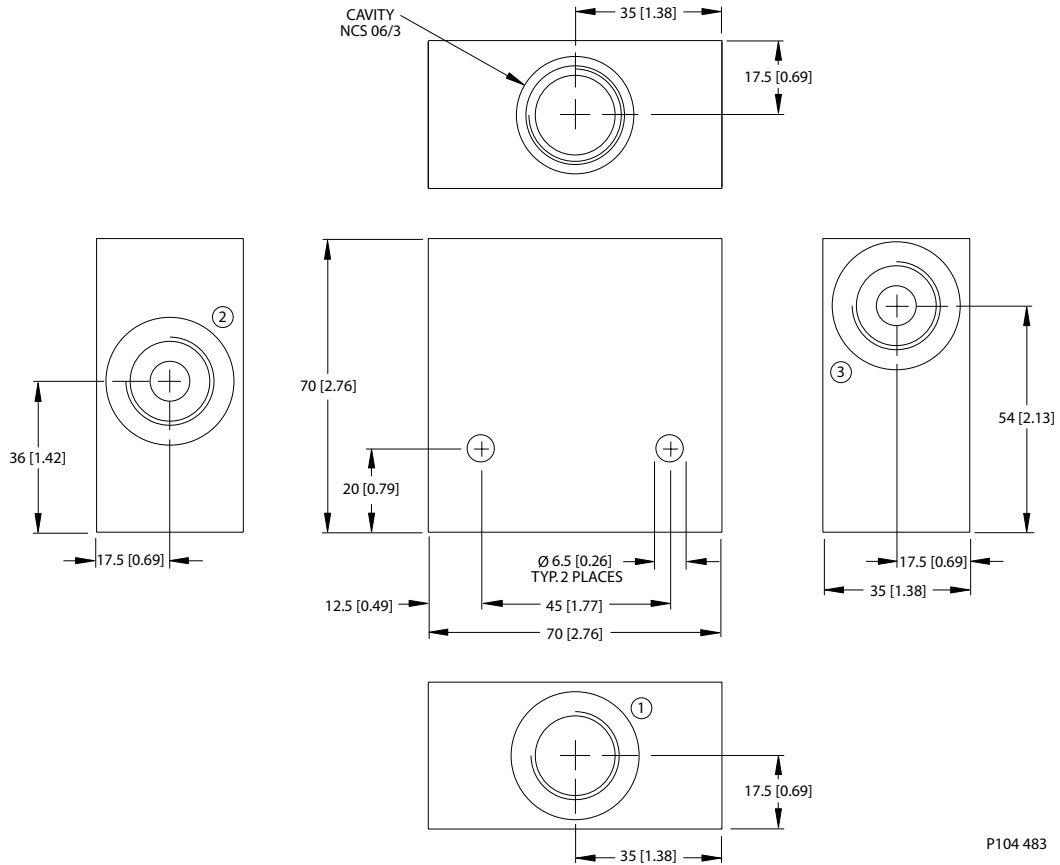
Order Code	Description	Style	Ports
NCS06/3-LD-8S	Aluminum Housing, No Port #1	LD	SAE #8





Cartridge Valves Technical Information  
Housings  
NCS06/3 (SE)

Dimensions



P104 483

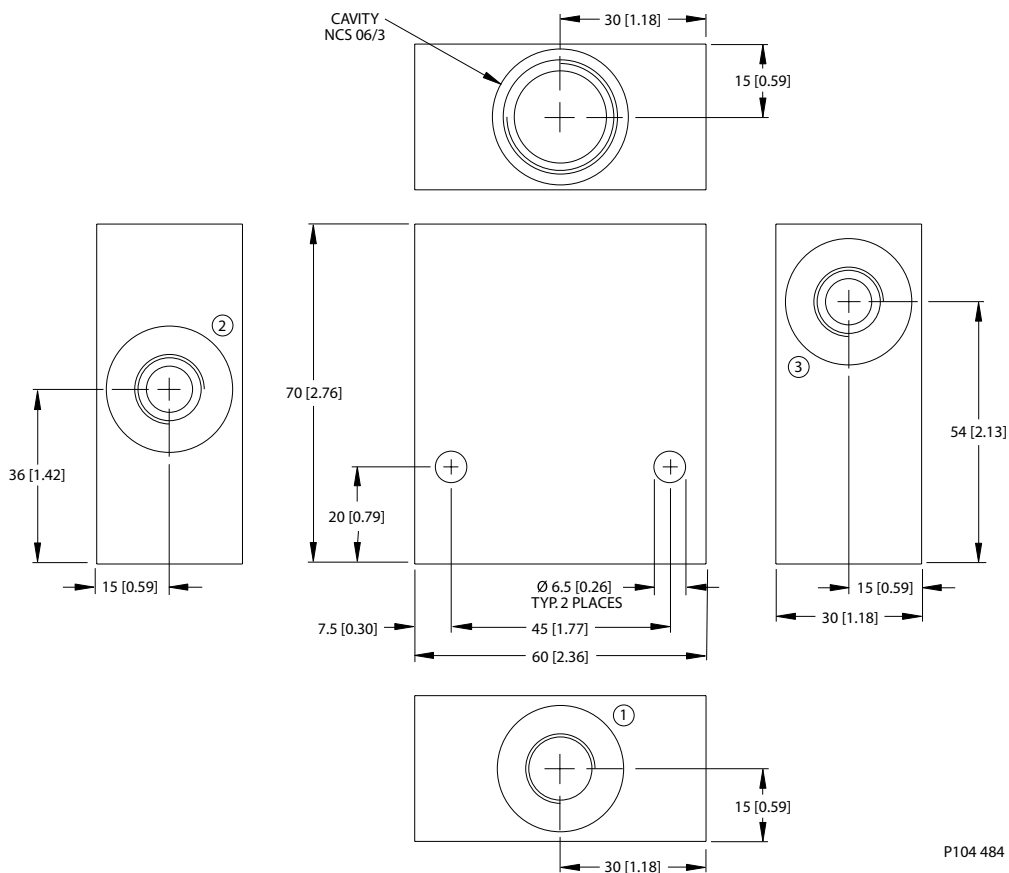
Options

Order Code	Description	Style	Ports
NCS06/3-SE-1/2	Aluminum Housing	SE	1/2 BSP
NCS06/3-SE-8S	Aluminum Housing	SE	SAE #8



Cartridge Valves Technical Information  
Housings  
NCS06/3 (SE)

Housing drawing



P104 484

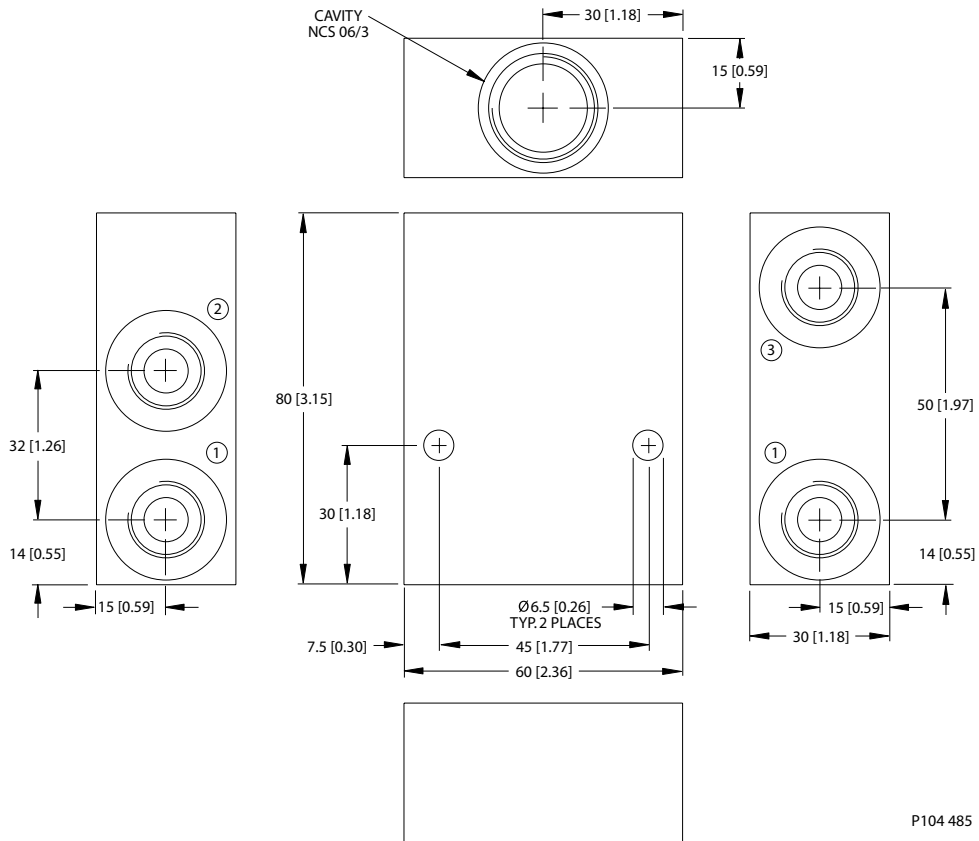
Options

Order Code	Description	Style	Ports
NCS06/3-SE-3/8	Aluminum Housing	SE	3/8 BSP
NCS06/3-SE-6S	Aluminum Housing	SE	SAE #6



Cartridge Valves Technical Information  
Housings  
NCS06/3 (SI)

Dimensions



P104 485

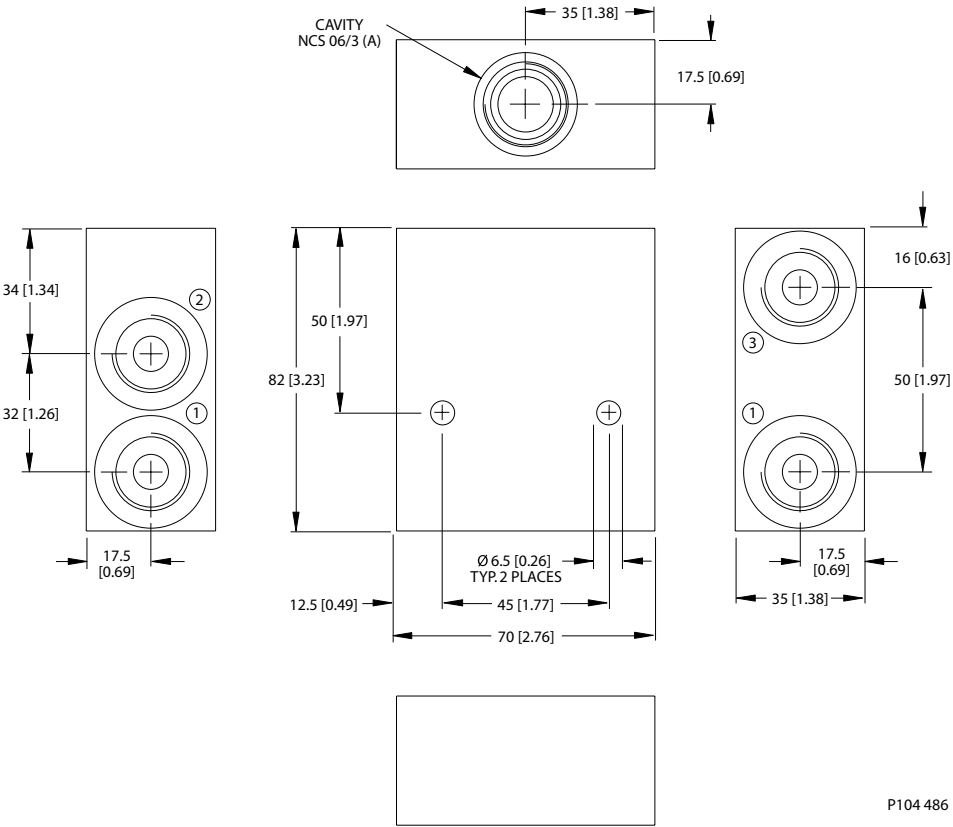
Options

Order Code	Description	Style	Ports
NCS06/3-SI-3/8	Aluminum Housing, Two #1 Ports	SI	3/8 BSP
NCS06/3-SI-6S	Aluminum Housing, Two #1 Ports	SI	SAE #6



Cartridge Valves Technical Information  
Housings  
NCS06/3 (SI)

Housing drawing



P104 486

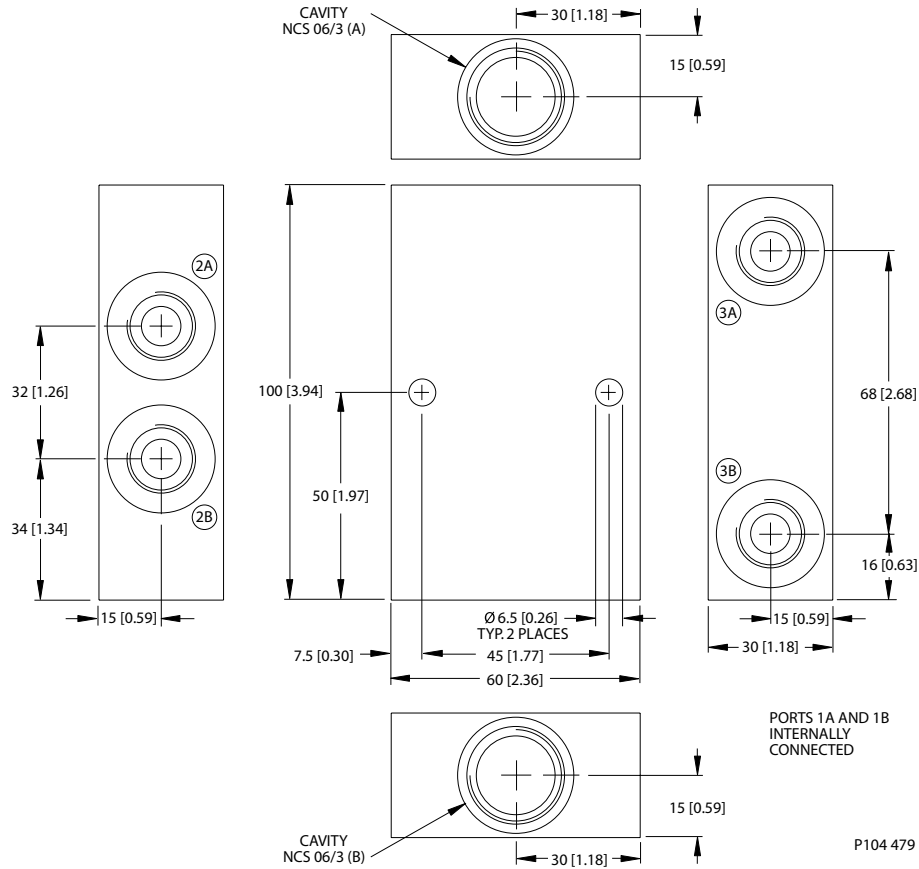
Options

Order Code	Description	Style	Ports
NCS06/3-SI-1/2	Aluminum Housing, Two #1 Ports	SI	1/2 BSP
NCS06/3-SI-8S	Aluminum Housing, Two #1 Ports	SI	SAE #8



Cartridge Valves Technical Information  
Housings  
NCS06/3 (DL)

Dimensions



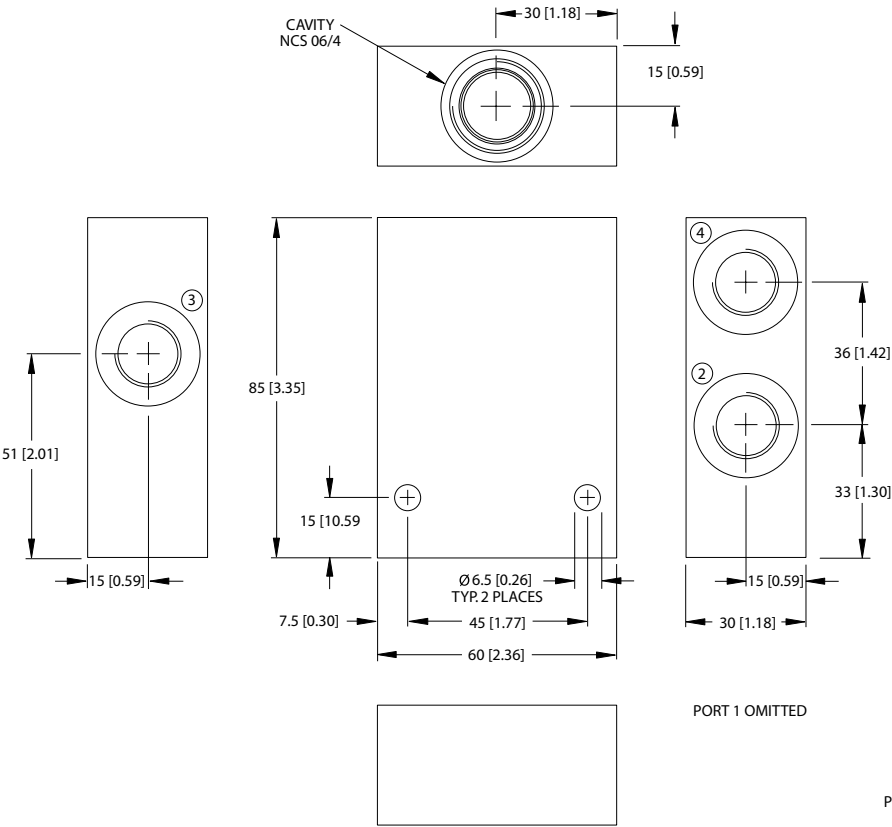
Options

Order Code	Description	Style	Ports
NCS06/3-DL-3/8	Alum. Hsg., 2 Cavities w/#1 Ports Conn.	DL	3/8 BSP
NCS06/3-DL-6S	Alum. Hsg., 2 Cavities w/#1 Ports Conn.	DL	SAE #6



Cartridge Valves Technical Information  
Housings  
NCS06/4 (LD)

Housing drawing



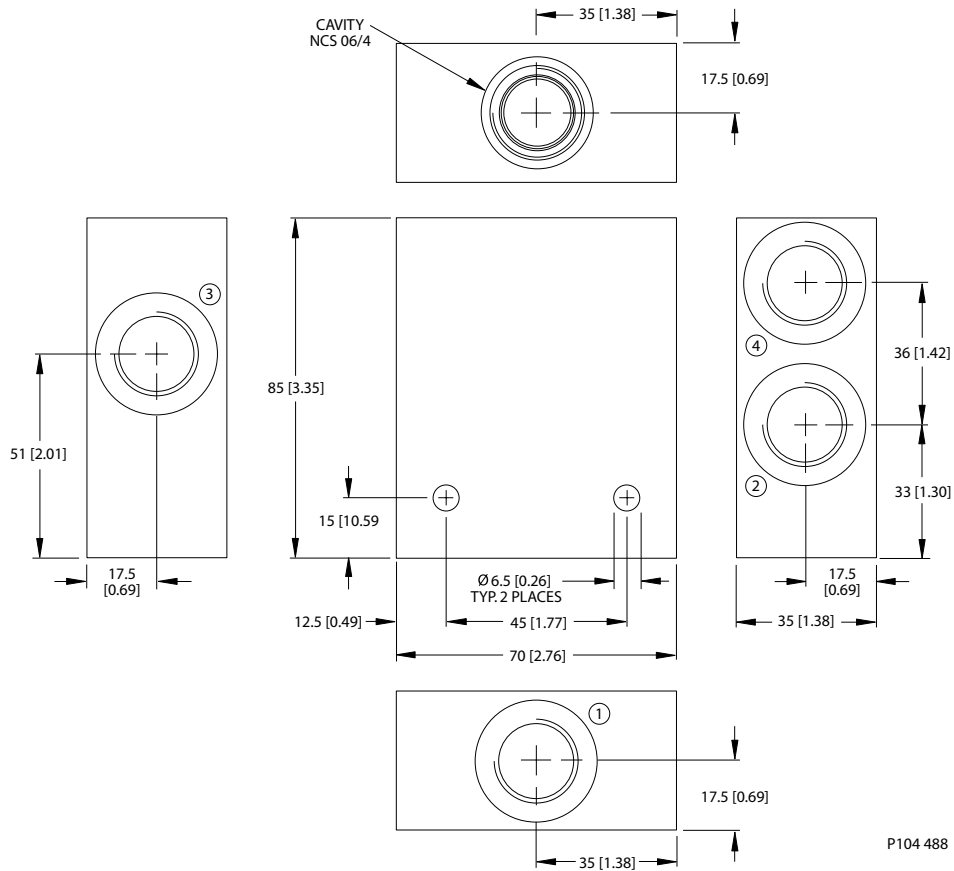
Options

Order Code	Description	Style	Ports
NCS06/4-LD-3/8	Aluminum Housing, No Port #1	LD	3/8 BSP



Cartridge Valves Technical Information  
Housings  
NCS06/4 (L)

Dimensions



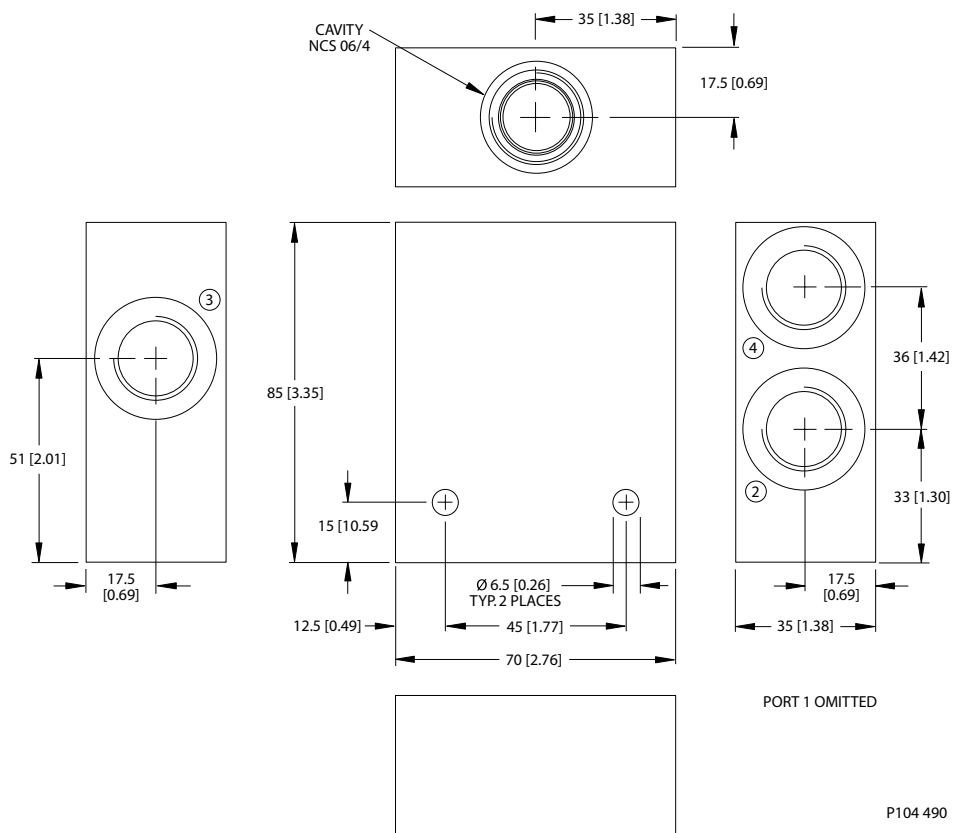
Options

Order Code	Description	Style	Ports
NCS06/4-L-1/2	Aluminum Housing	L	1/2 BSP
NCS06/4-L-8S	Aluminum Housing	L	SAE #8



Cartridge Valves Technical Information  
Housings  
NCS06/4 (LD)

Housing drawing



Options

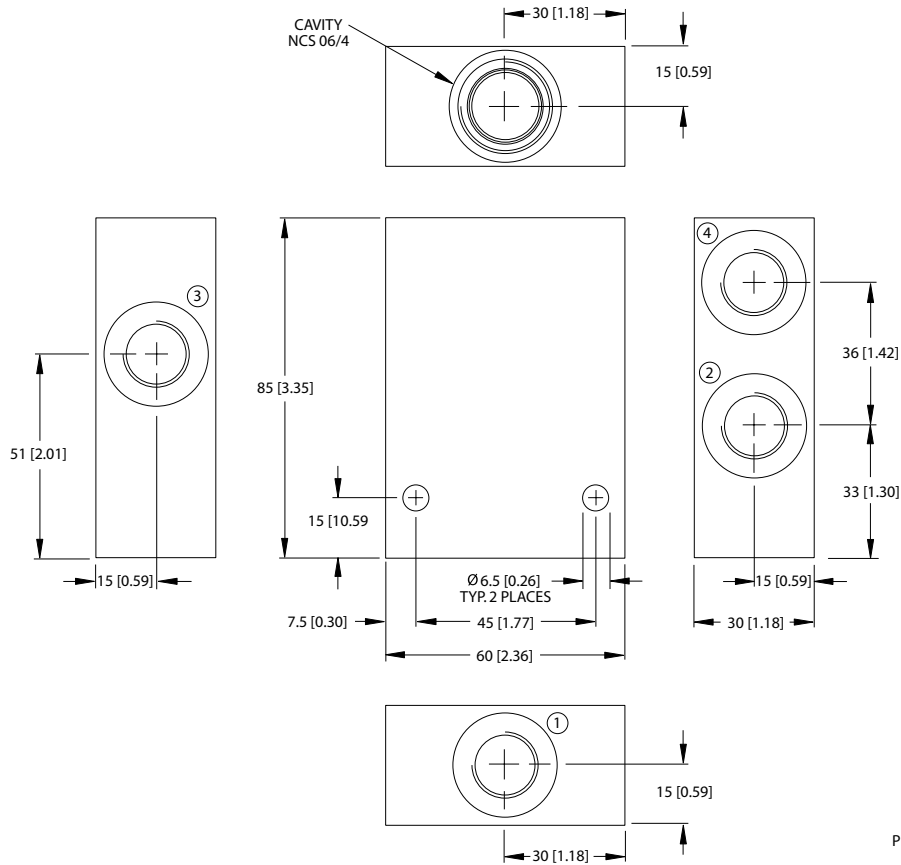
Order Code	Description	Style	Ports
NCS06/4-LD-1/2	Aluminum Housing, No Port #1	LD	1/2 BSP





Cartridge Valves Technical Information  
Housings  
NCS06/4 (L)

Dimensions



P104 487

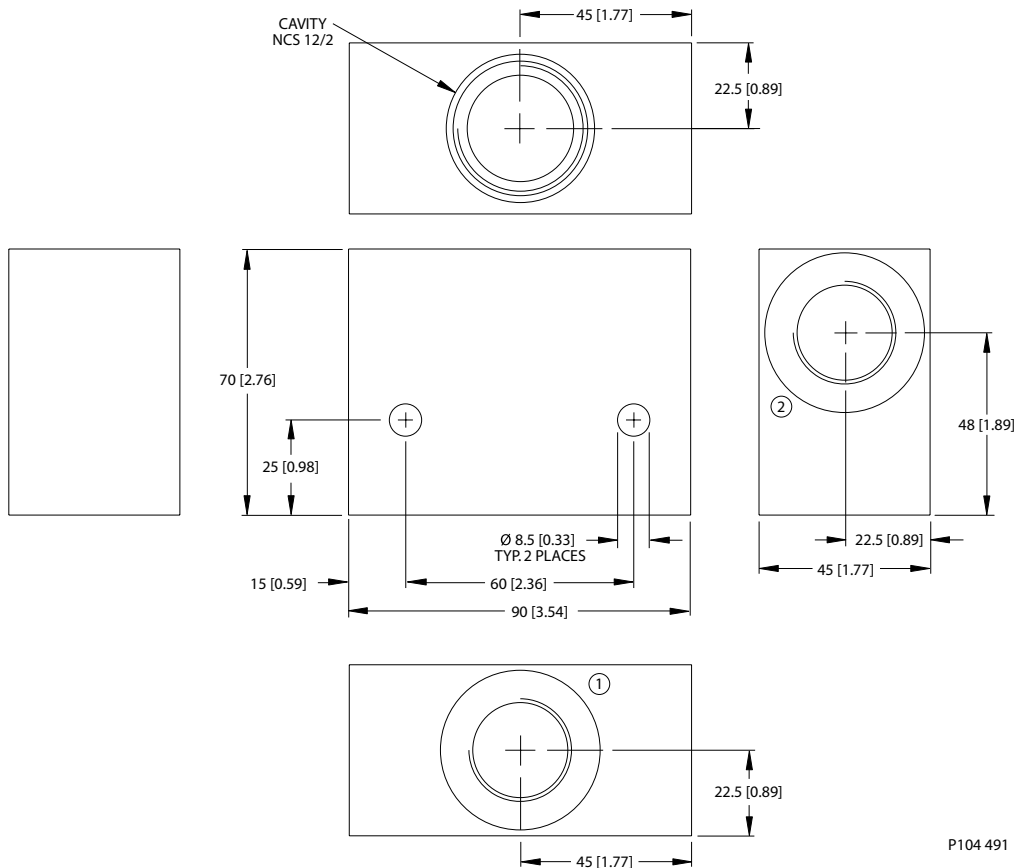
Options

Order Code	Description	Style	Ports
NCS06/4-L-3/8	Aluminum Housing	L	3/8 BSP
NCS06/4-L-6S	Aluminum Housing	L	SAE #6



Cartridge Valves Technical Information  
Housings  
NCS12/2 (DG)

Housing drawing



P104 491

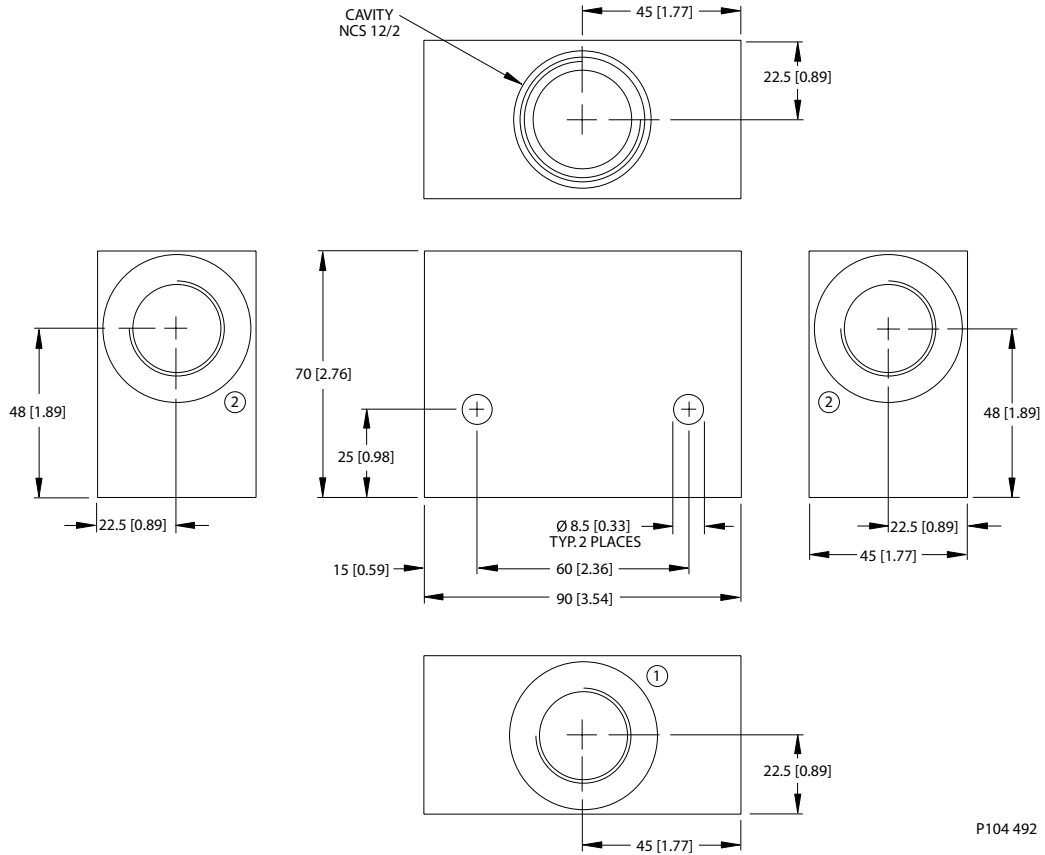
Options

Order Code	Description	Style	Ports
NCS12/2-DG-1/2	Aluminum Housing	DG	1/2 BSP
NCS12/2-DG-12S	Aluminum Housing	DG	SAE #12
NCS12/2-DG-3/4	Aluminum Housing	DG	3/4 BSP
NCS12/2-DG-8S	Aluminum Housing	DG	SAE #8



Cartridge Valves Technical Information  
Housings  
NCS12/2 (LG1)

Dimensions



Options

Order Code	Description	Style	Ports
NCS12/2-LG1-12S	Aluminum Housing, Two #2 Ports	LG1	SAE #12
NCS12/2-LG1-8S	Aluminum Housing, Two #2 Ports	LG1	SAE #8

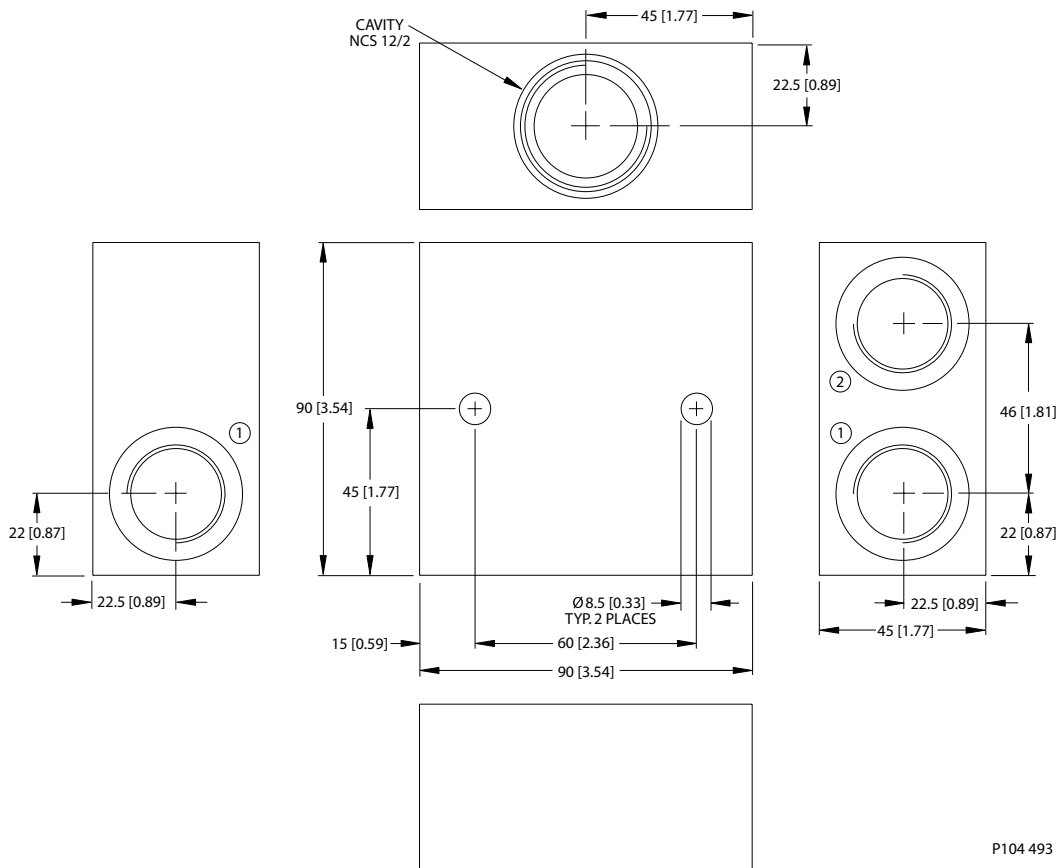


# Cartridge Valves Technical Information

## Housings

### NCS12/2 (LG2)

#### Housing drawing



P104 493

#### Options

Order Code	Description	Style	Ports
NCS12/2-LG2-1/2	Aluminum Housing, Two #1 Ports	LG2	1/2 BSP
NCS12/2-LG2-12S	Aluminum Housing, Two #1 Ports	LG2	SAE #12
NCS12/2-LG2-3/4	Aluminum Housing, Two #1 Ports	LG2	3/4 BSP
NCS12/2-LG2-8S	Aluminum Housing, Two #1 Ports	LG2	SAE #8

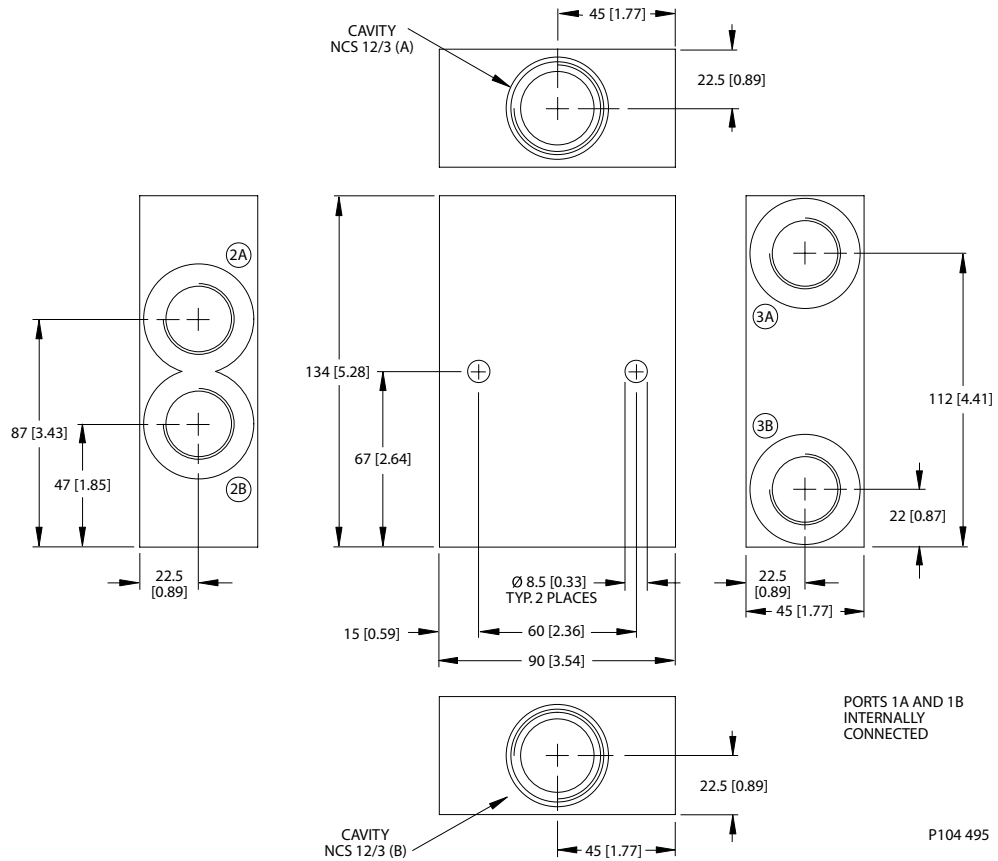


# Cartridge Valves Technical Information

## Housings

### NCS12/3 (DL)

#### Dimensions



#### Options

Order Code	Description	Style	Ports
NCS12/3-DL-12S	Alum. Hsg., 2 Cavities w/#1 Ports Conn.	DL	SAE #12
NCS12/3-DL-8S	Alum. Hsg., 2 Cavities w/#1 Ports Conn.	DL	SAE #8

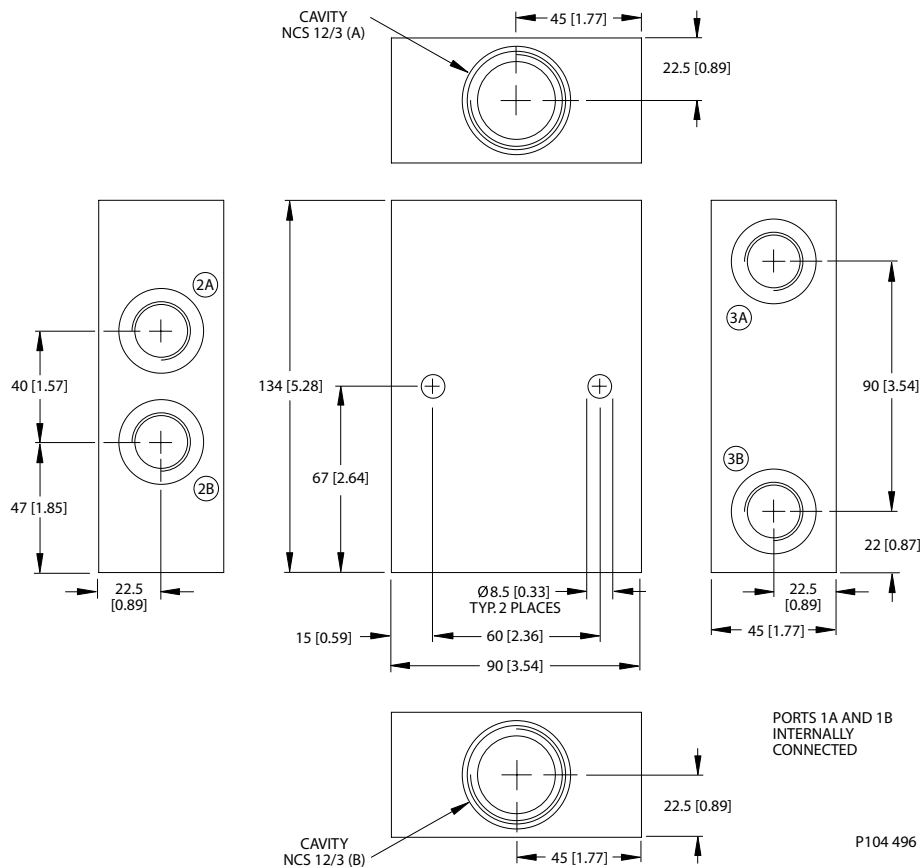


# Cartridge Valves Technical Information

## Housings

### NCS12/3 (DL)

#### Housing drawing



#### Options

Order Code	Description	Style	Ports
NCS12/3-DL-1/2	Alum. Hsg., 2 Cavities w/#1 Ports Conn.	DL	1/2 BSP

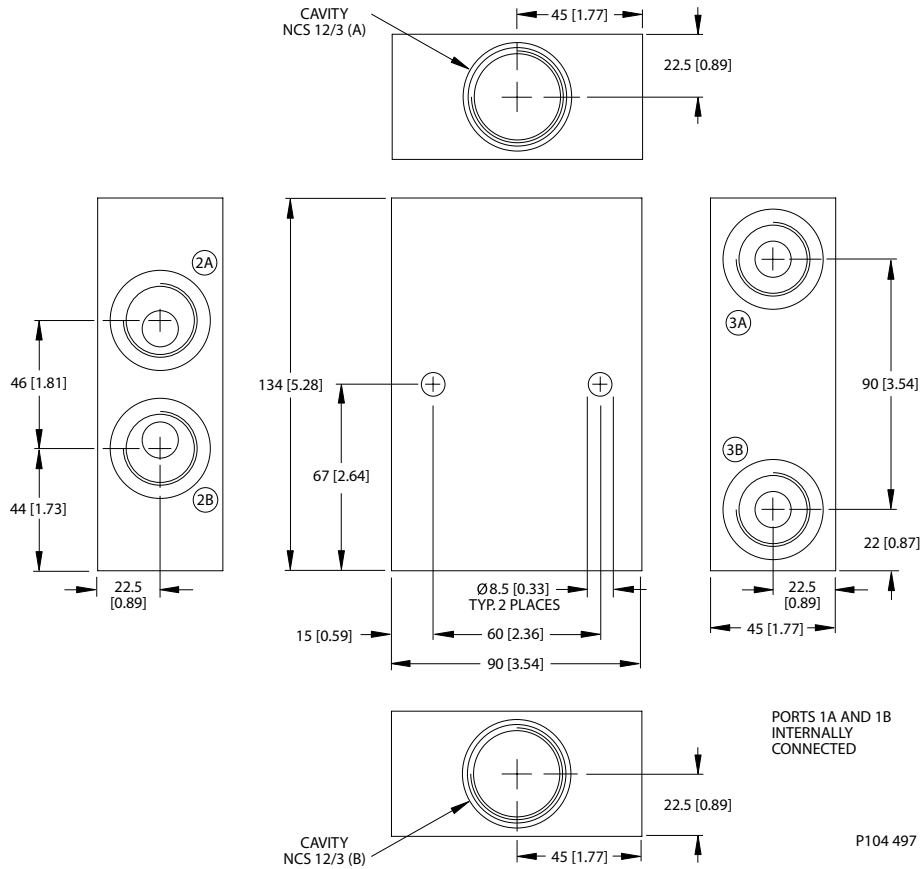


# Cartridge Valves Technical Information

## Housings

### NCS12/3 (DL)

#### Dimensions



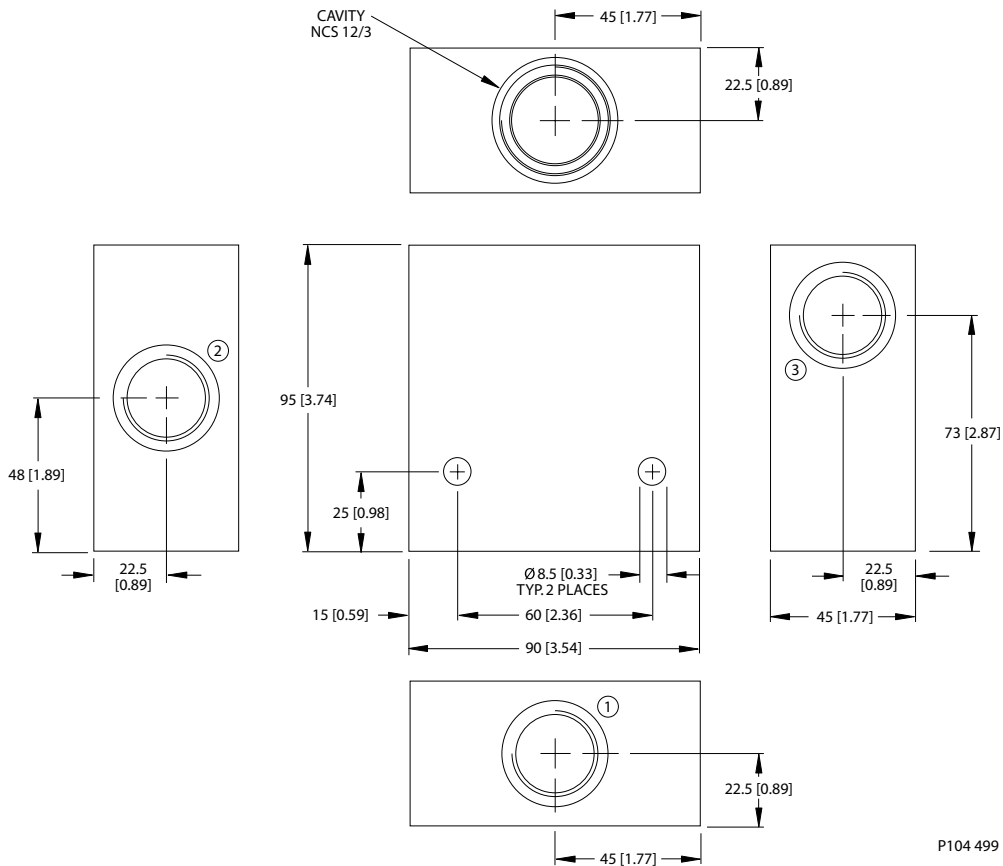
#### Options

Order Code	Description	Style	Ports
NCS12/3-DL-3/4	Alum. Hsg., 2 Cavities w/#1 Ports Conn.	DL	3/4 BSP



Cartridge Valves Technical Information  
Housings  
NCS12/3 (SE)

Housing drawing



P104 499

Options

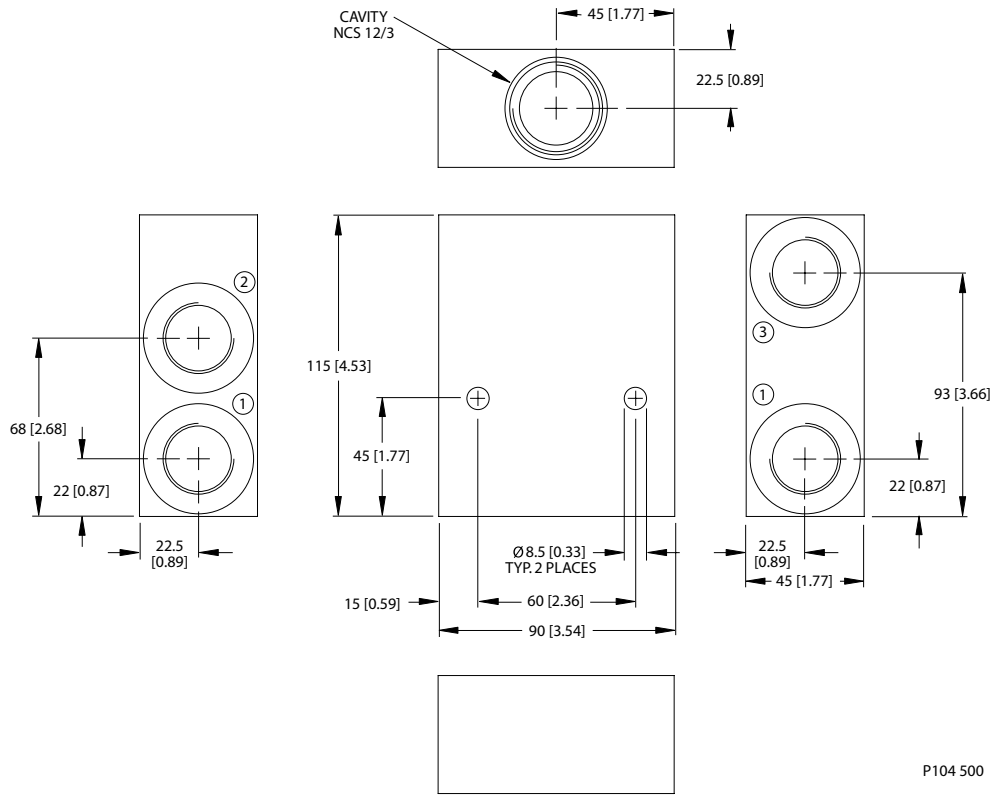
Order Code	Description	Style	Ports
NCS12/3-SE-1	Aluminum Housing	SE	1/2 BSP
NCS12/3-SE-12S	Aluminum Housing	SE	SAE #12
NCS12/3-SE-3/4	Aluminum Housing	SE	3/4 BSP
NCS12/3-SE-8S	Aluminum Housing	SE	SAE #8





Cartridge Valves Technical Information  
Housings  
NCS12/3 (SI)

Dimensions



P104 500

Options

Order Code	Description	Style	Ports
NCS12/3-SI-1	Aluminum Housing, Two #1 Ports	SI	1/2 BSP
NCS12/3-SI-12S	Aluminum Housing, Two #1 Ports	SI	SAE #12
NCS12/3-SI-3/4	Aluminum Housing, Two #1 Ports	SI	3/4 BSP
NCS12/3-SI-8S	Aluminum Housing, Two #1 Ports	SI	SAE #8

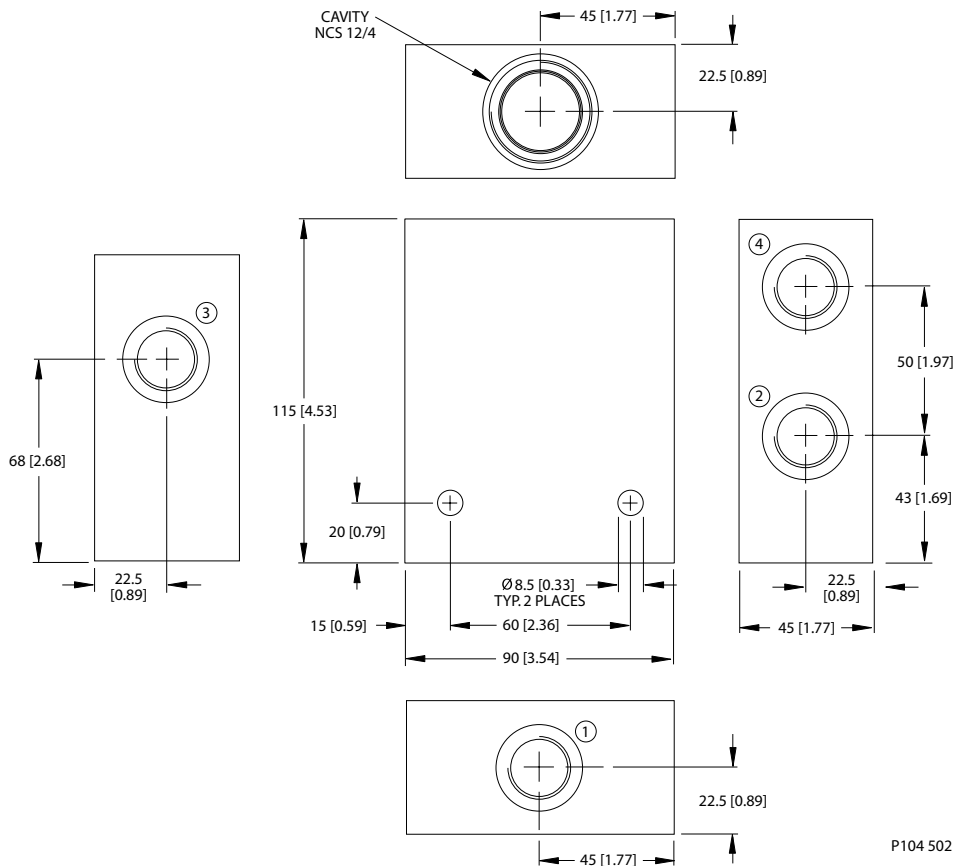


# Cartridge Valves Technical Information

## Housings

### NCS12/4 (L)

#### Housing drawing



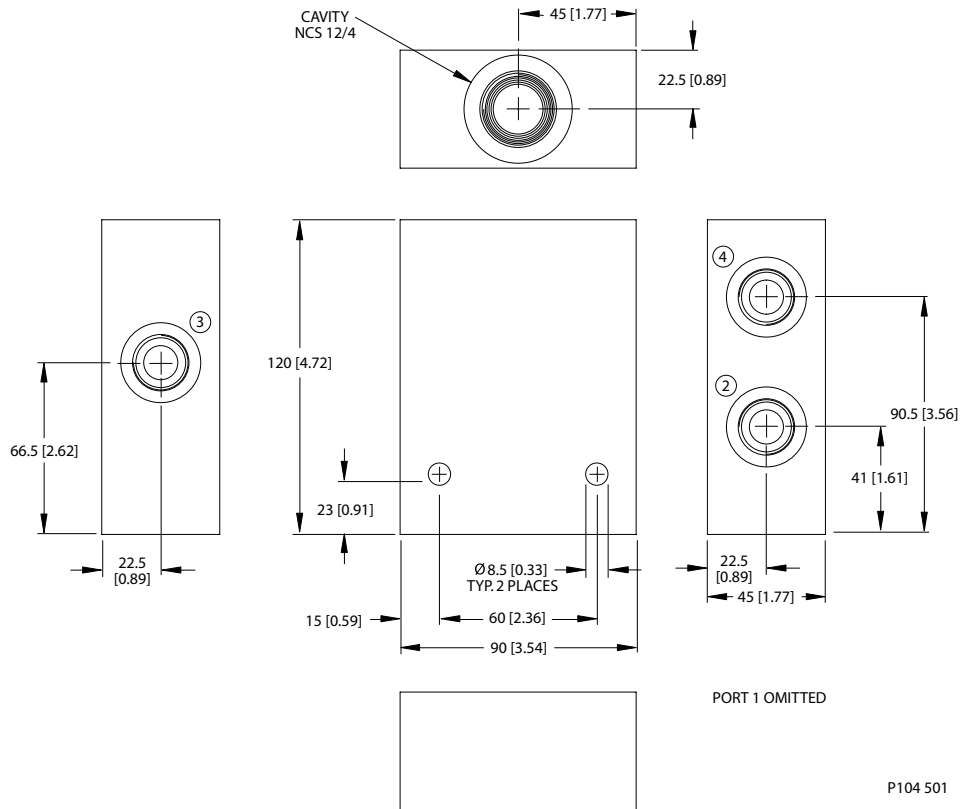
#### Options

Order Code	Description	Style	Ports
NCS12/4-L-1	Aluminum Housing	L	1/2 BSP
NCS12/4-L-3/4	Aluminum Housing	L	3/4 BSP



Cartridge Valves Technical Information  
Housings  
NCS12/4 (HD)

Dimensions



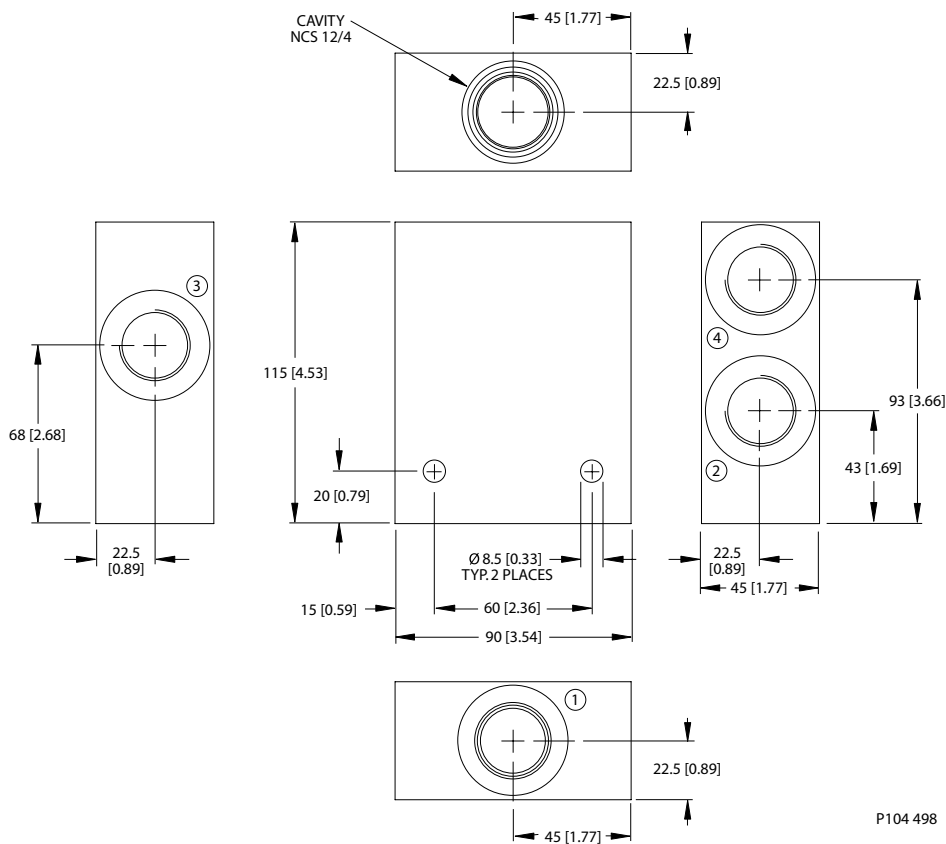
Options

Order Code	Description	Style	Ports
NCS12/4-HD-1	Aluminum Housing, No Port #1	HD	1/2 BSP



Cartridge Valves Technical Information  
Housings  
NCS12/4 (L)

Housing drawing



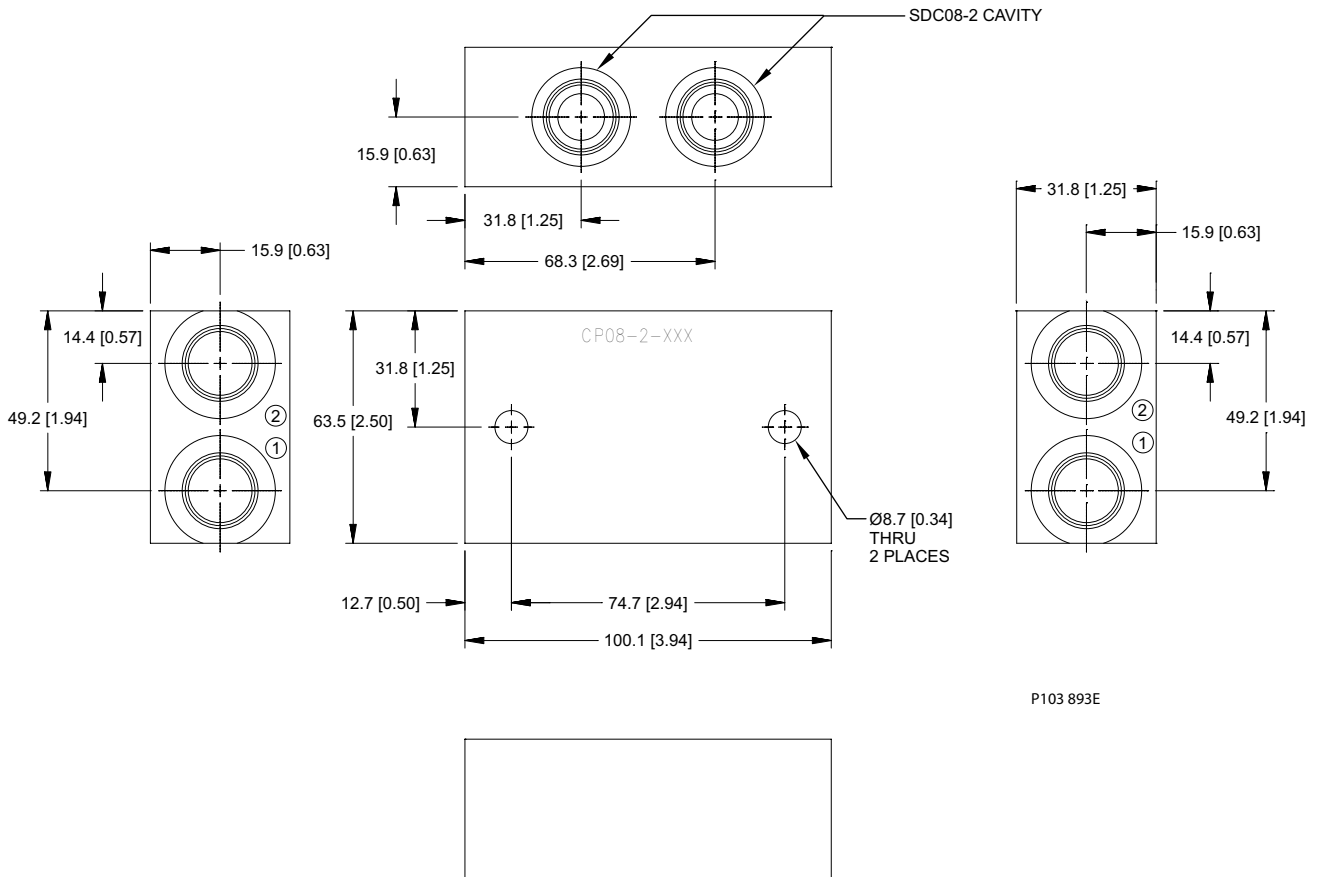
Options

Order Code	Description	Style	Ports
NCS12/4-L-12S	Aluminum Housing	L	SAE #12



Cartridge Valves Technical Information  
Housings  
SDC08-2 (Parallel)

Dimensions



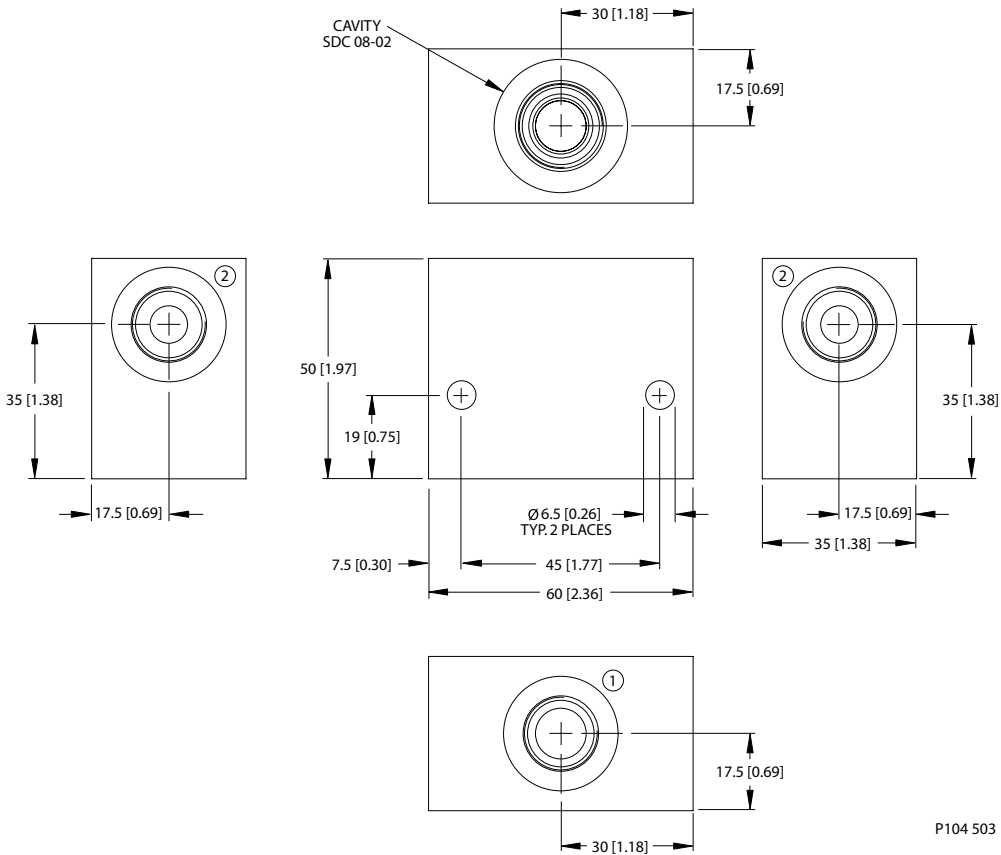
Options

Order Code	Description	Style	Ports
CP08-2-8S-2PL	Aluminum Housing - Parallel	Parallel	SAE #8



Cartridge Valves Technical Information  
 Housings  
 SDC08-2 (HG1)

Housing drawing



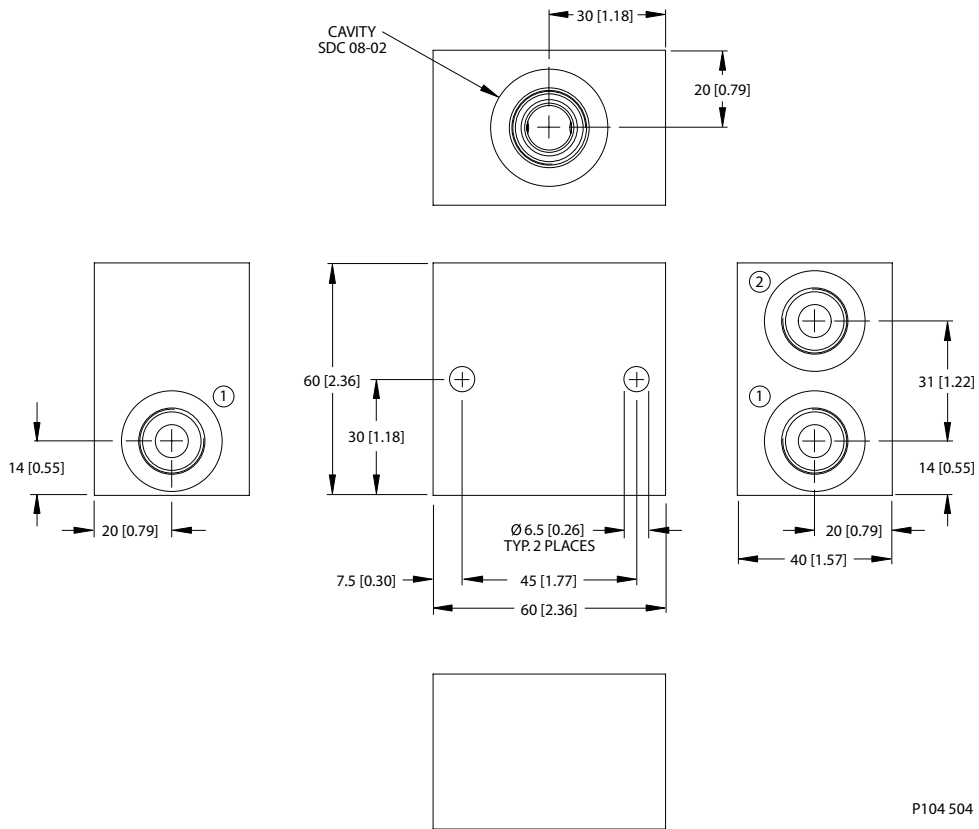
Options

Order Code	Description	Style	Ports
SDC08-2-HG1-3B	Aluminum Housing, Two #2 Ports	HG1	3/8 BSP



Cartridge Valves Technical Information  
Housings  
SDC08-2 (HG2)

Dimensions



P104 504

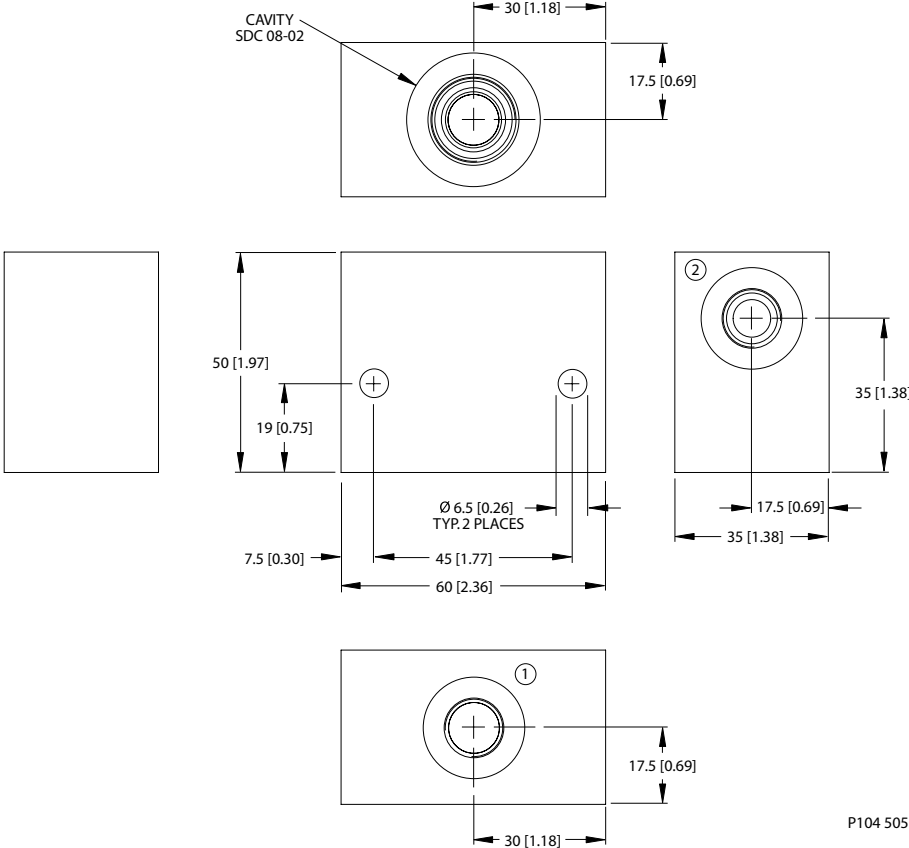
Options

Order Code	Description	Style	Ports
SDC08-2-HG2-3B	Aluminum Housing, Two #1 Ports	HG2	3/8 BSP



Cartridge Valves Technical Information  
Housings  
SDC08-2 (HG)

Housing drawing



P104 505

Options

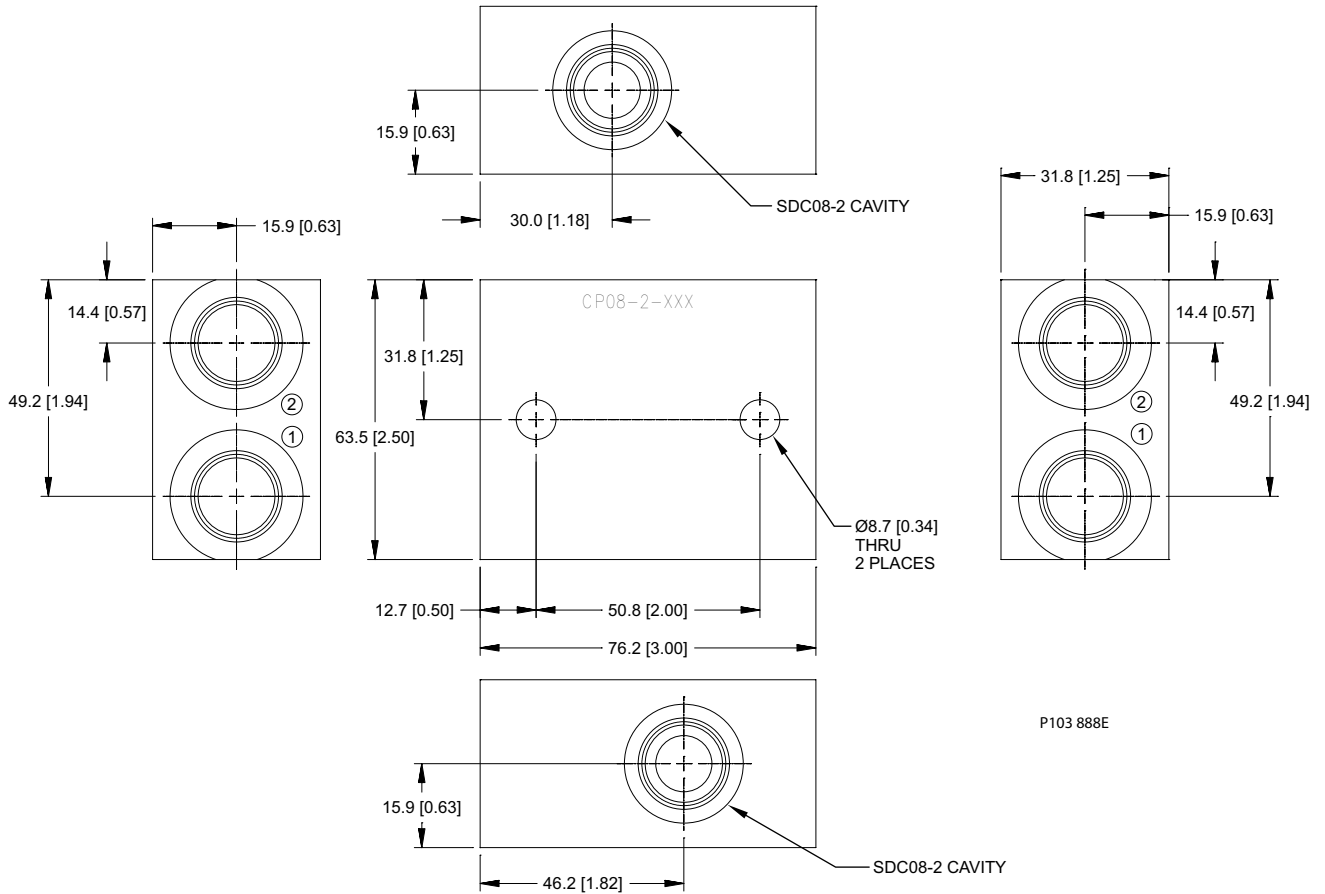
Order Code	Description	Style	Ports
SDC08-2-HG-2B	Aluminum Housing	HG	1/4 BSP
SDC08-2-HG-3B	Aluminum Housing	HG	3/8 BSP





Cartridge Valves Technical Information  
Housings  
SDC08-2 (Crossover)

Dimensions



P103 888E

Options

Order Code	Description	Style	Ports
CP08-2-6S-2CR	Aluminum Housing - Crossover	Crossover	SAE #6
CP08-2-8S-2CR	Aluminum Housing - Crossover	Crossover	SAE #8

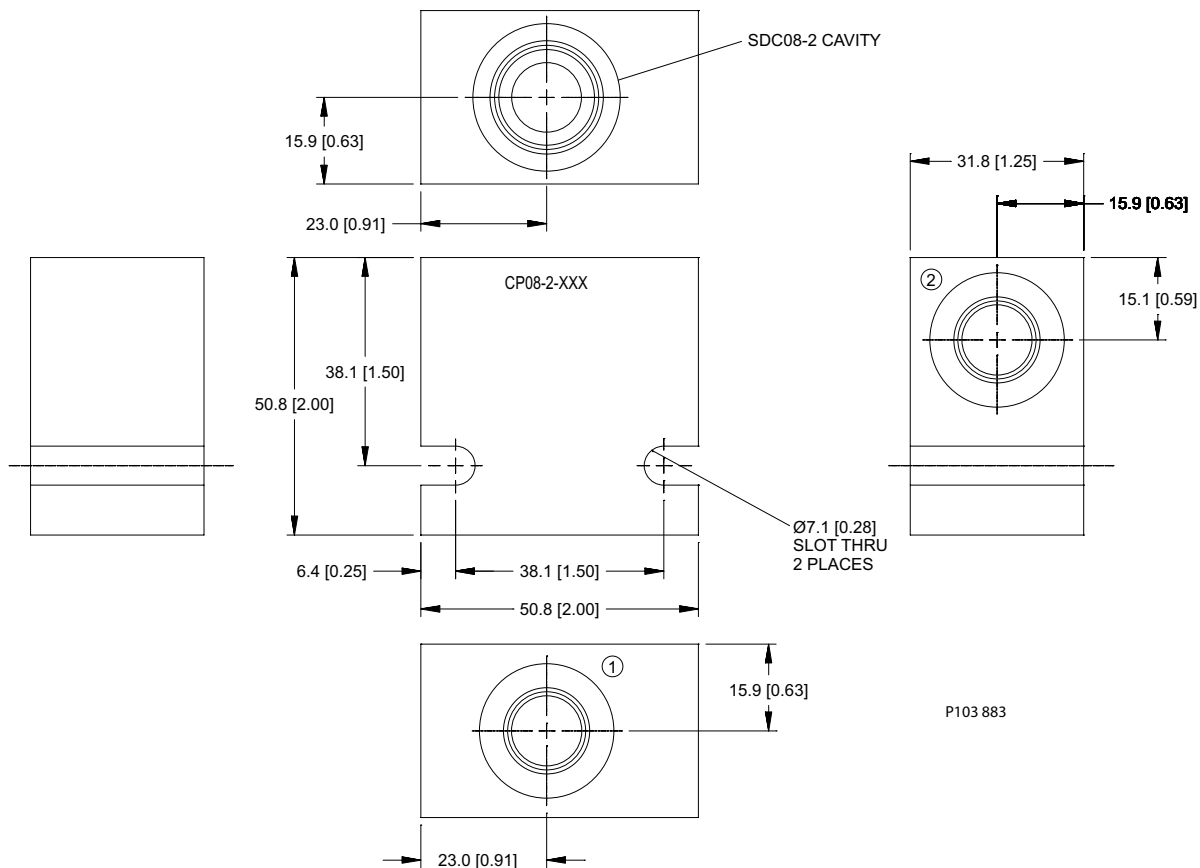


## Cartridge Valves Technical Information

### Housings

#### SDC08-2 (Standard)

#### Housing drawing



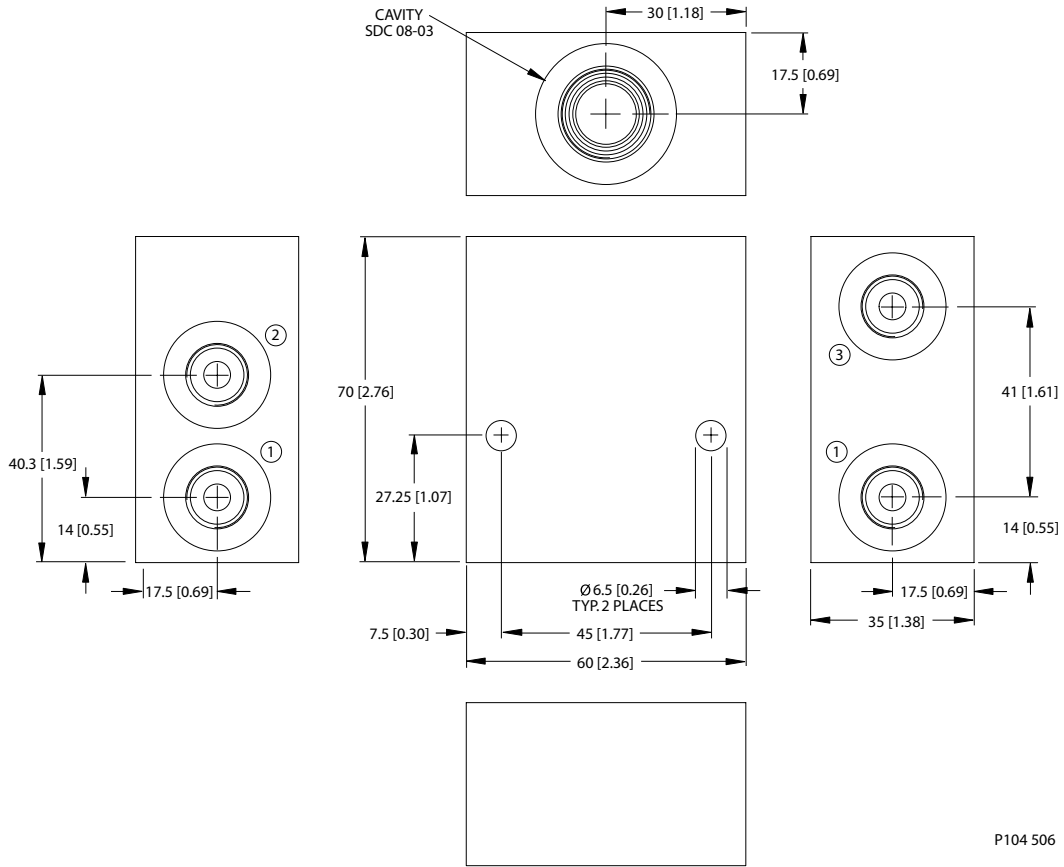
#### Options

Order Code	Description	Style	Ports
CP08-2-4S	Aluminum Housing	Standard	SAE #4
CP08-2-6S	Aluminum Housing	Standard	SAE #6
CP08-2-S4S	Steel Housing	Standard	SAE #4



Cartridge Valves Technical Information  
Housings  
SDC08-3 (HI)

Dimensions



P104 506

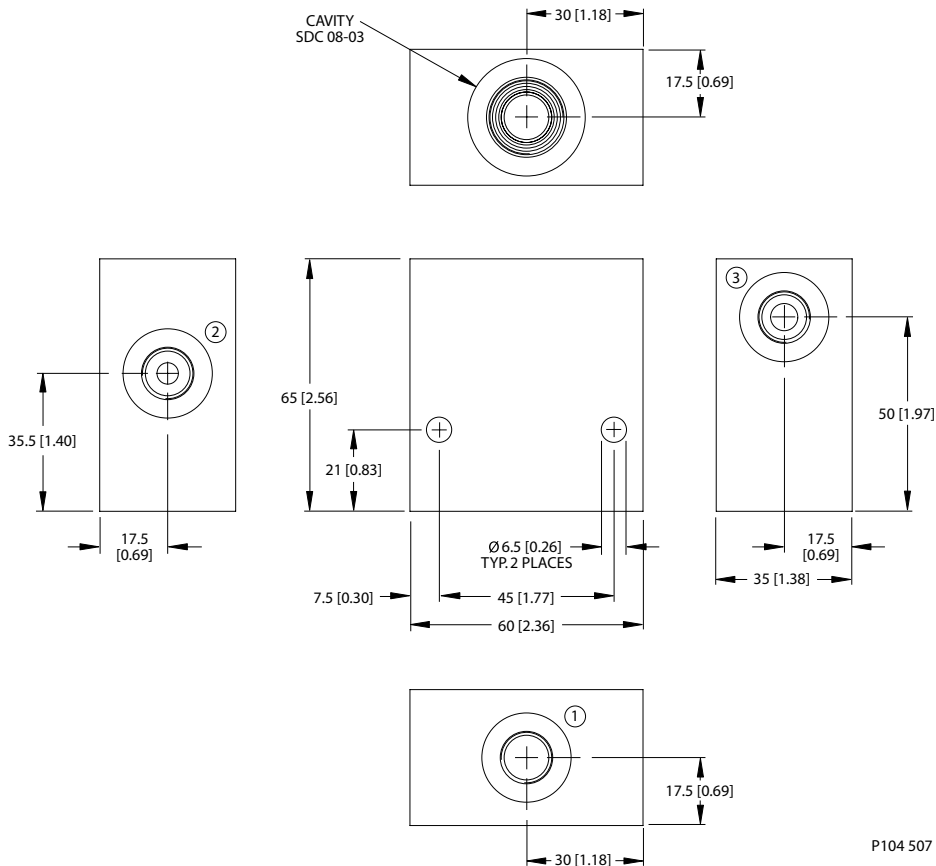
Options

Order Code	Description	Style	Ports
SDC08-3-HI-2B	Aluminum Housing, Two #1 Ports	HI	1/4 BSP



Cartridge Valves Technical Information  
Housings  
SDC08-3 (SE)

Housing drawing



P104 507

Options

Order Code	Description	Style	Ports
SDC08-3-SE-2B	Aluminum Housing	SE	1/4 BSP
SDC08-3-SE-3B	Aluminum Housing	SE	3/8 BSP

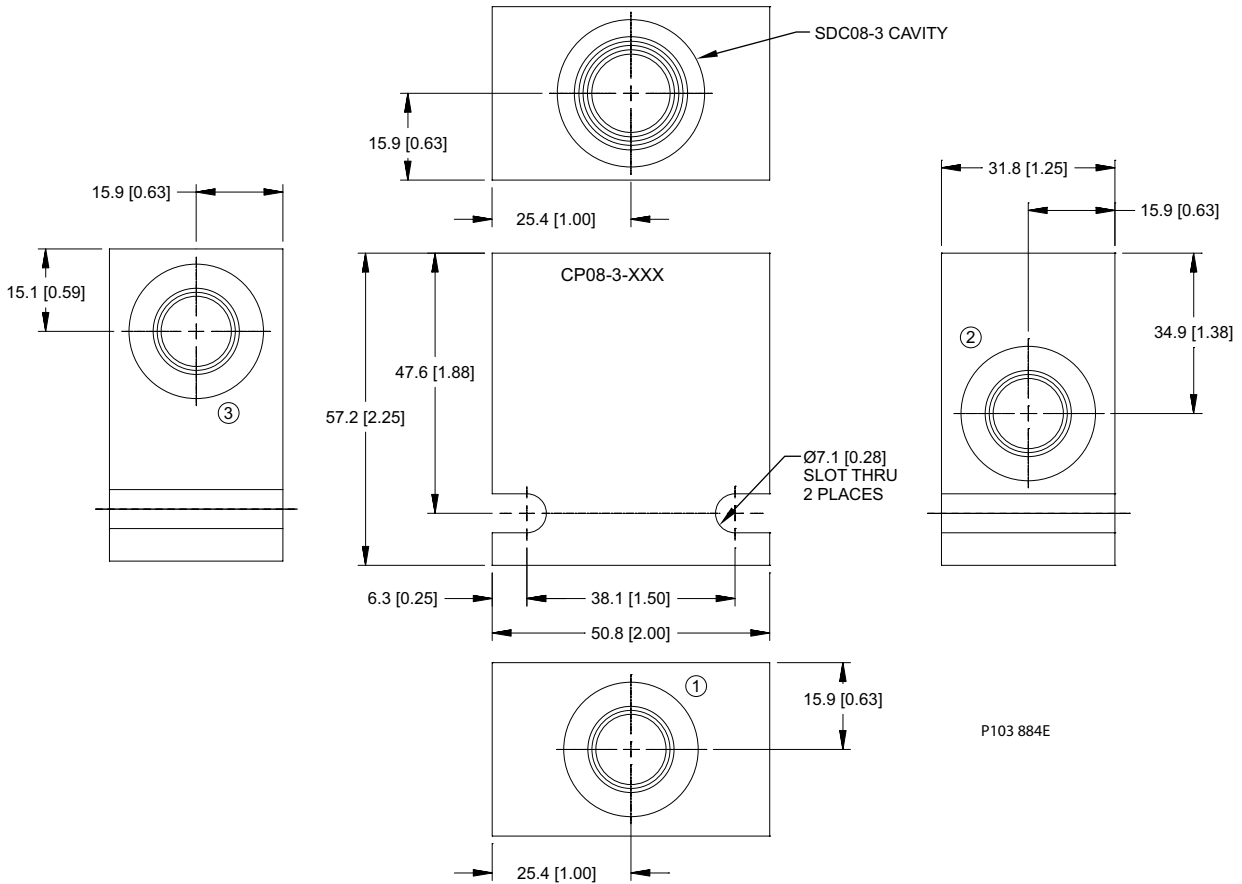


## Cartridge Valves Technical Information

### Housings

### SDC08-3 (Standard)

#### Dimensions



#### Options

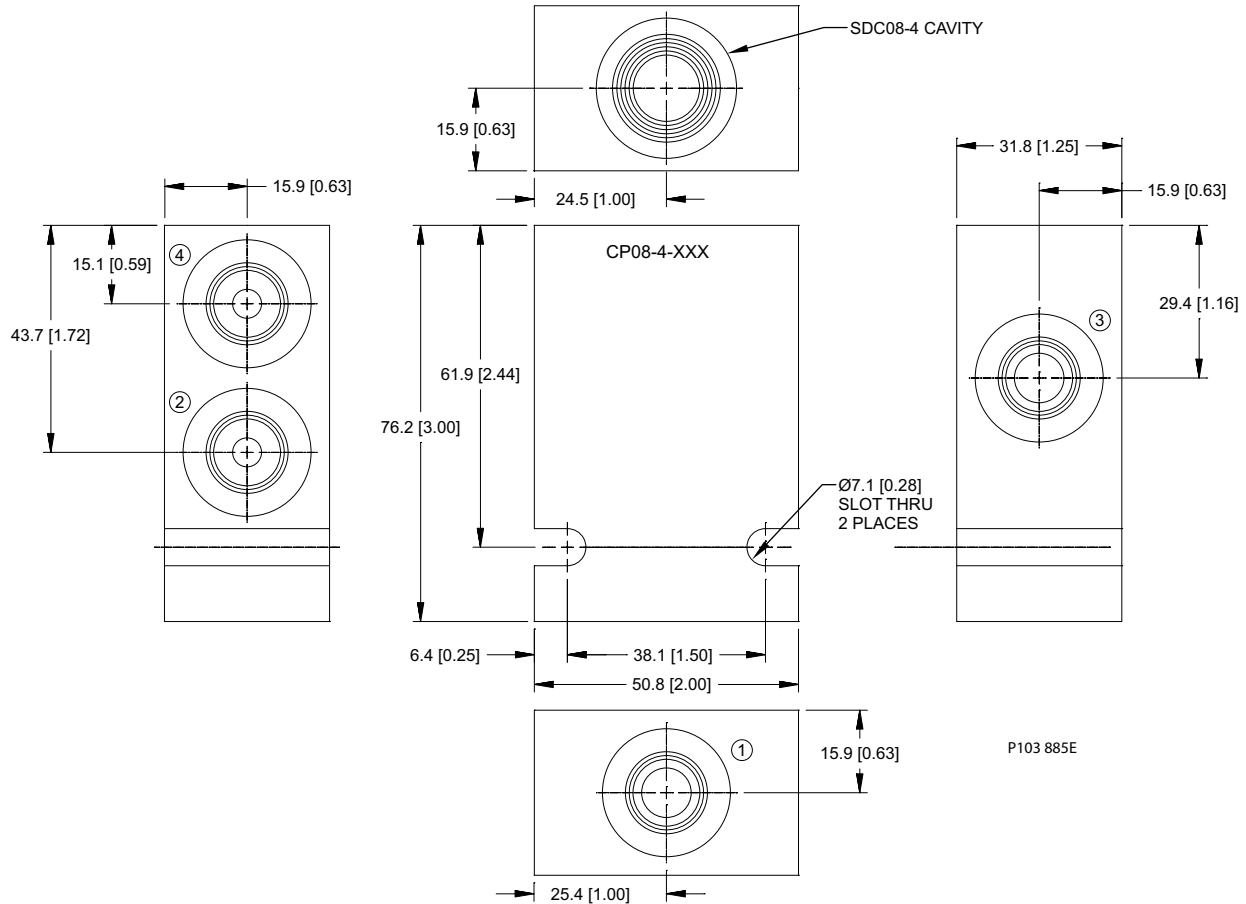
Order Code	Description	Style	Ports
CP08-3-4S	Aluminum Housing	Standard	SAE #4
CP08-3-6S	Aluminum Housing	Standard	SAE #6
CP08-3-S4S	Steel Housing	Standard	SAE #4
CP08-3-S6S	Steel Housing	Standard	SAE #6

## Cartridge Valves Technical Information

### Housings

#### SDC08-4 (Standard)

#### Housing drawing



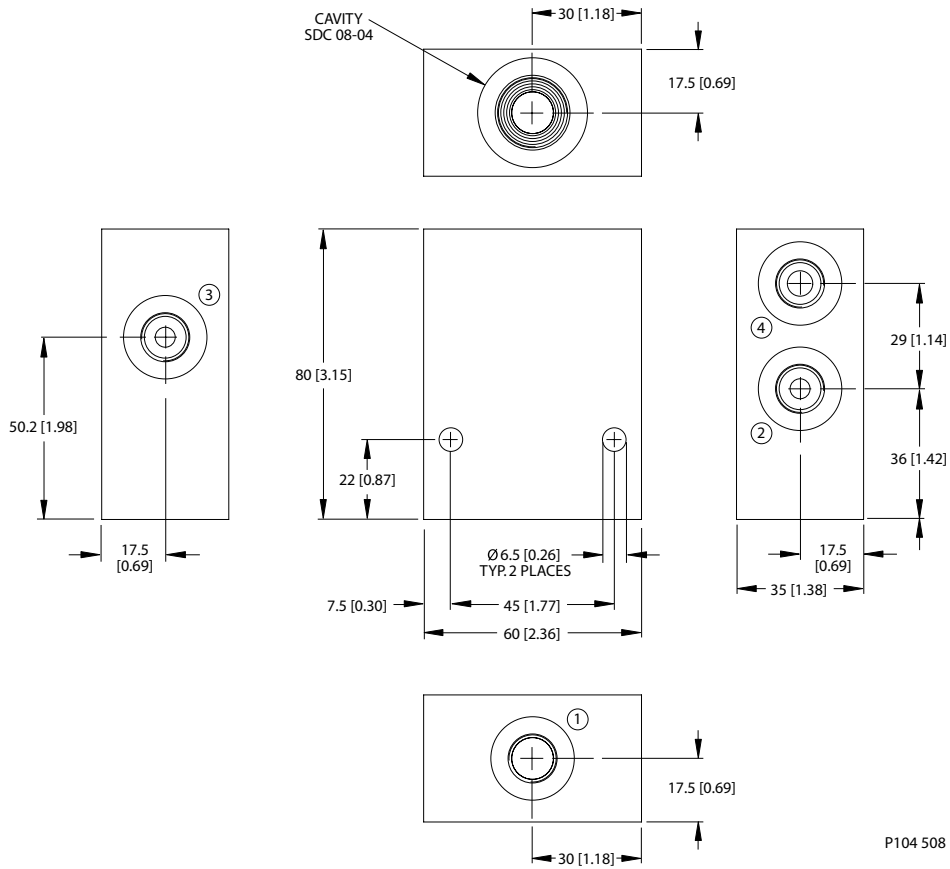
#### Options

Order Code	Description	Style	Ports
CP08-4-4S	Aluminum Housing	Standard	SAE #4
CP08-4-6S	Aluminum Housing	Standard	SAE #6



Cartridge Valves Technical Information  
Housings  
SDC08-4 (L)

Dimensions



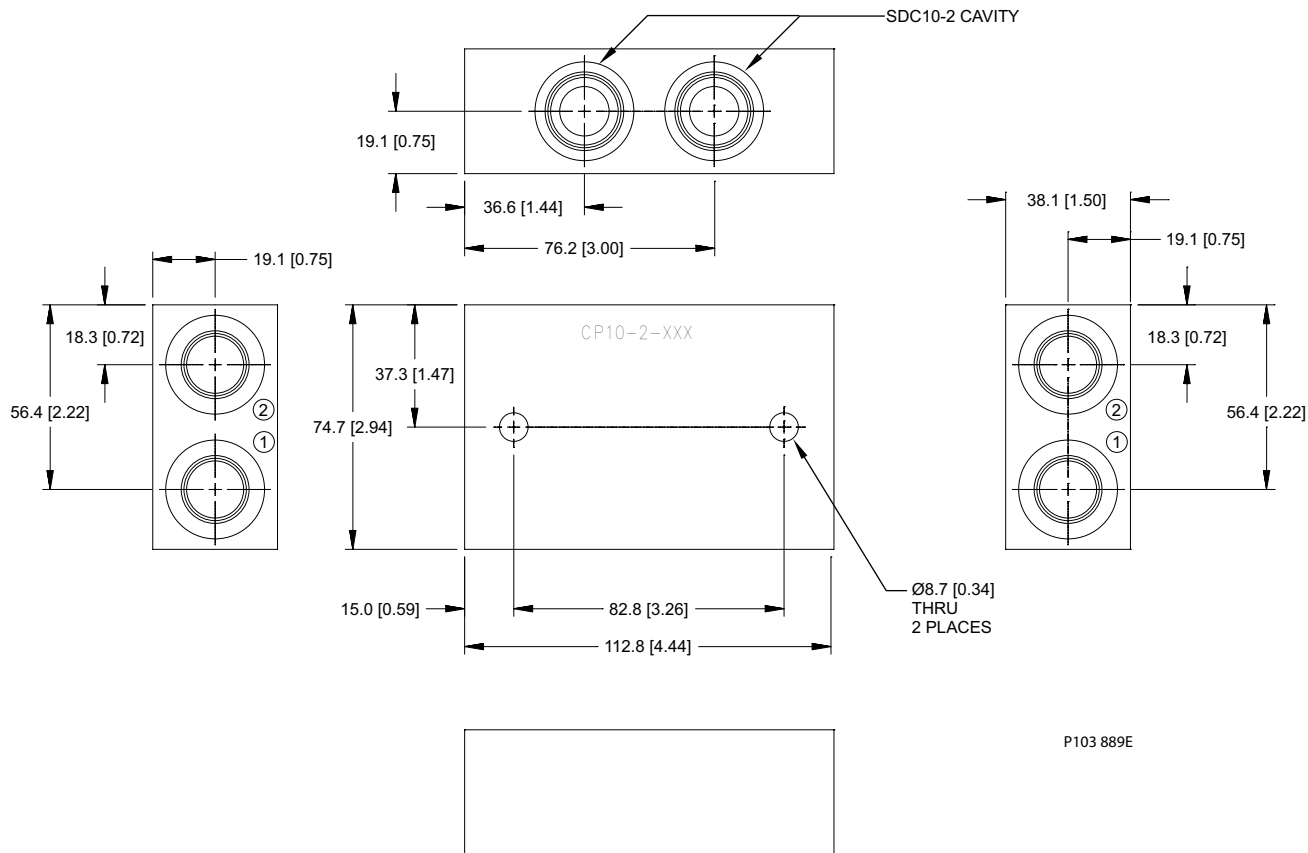
Options

Order Code	Description	Style	Ports
SDC08-4-L-2B	Aluminum Housing	L	1/4 BSP



Cartridge Valves Technical Information  
Housings  
SDC10-2 (Parallel)

Housing drawing



Options

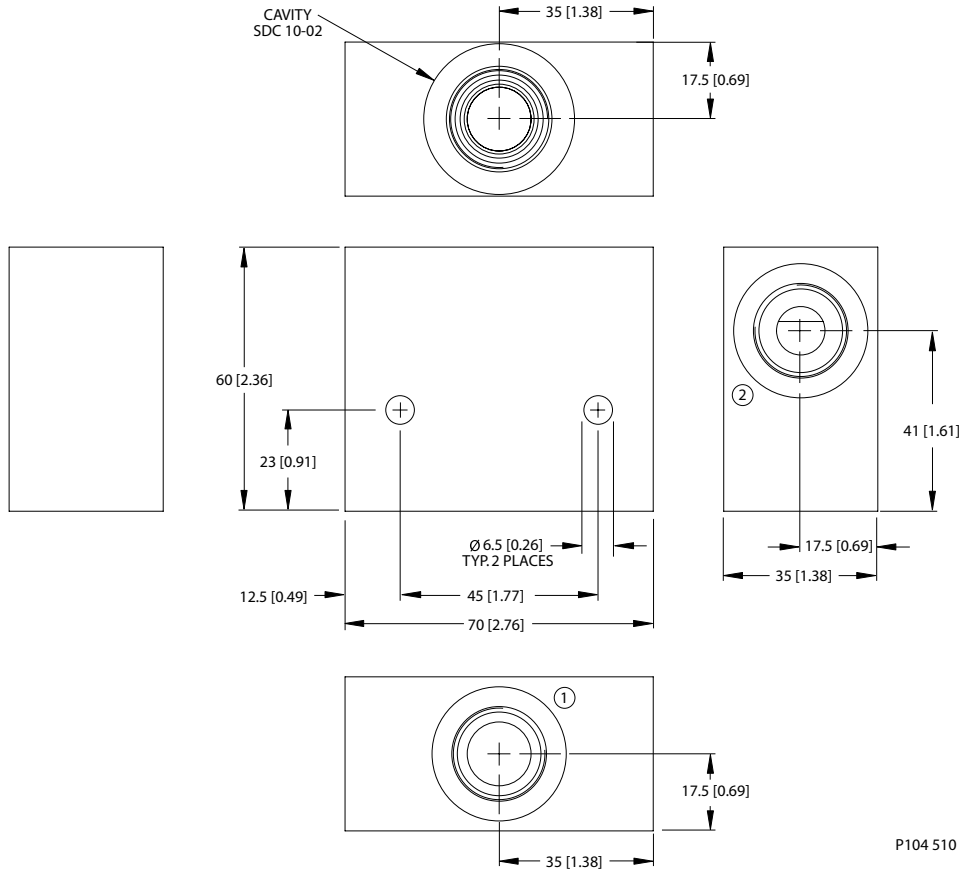
Order Code	Description	Style	Ports
CP10-2-8S-2PL	Parallel housing	Parallel	SAE #8





Cartridge Valves Technical Information  
Housings  
SDC10-2 (DG)

Dimensions



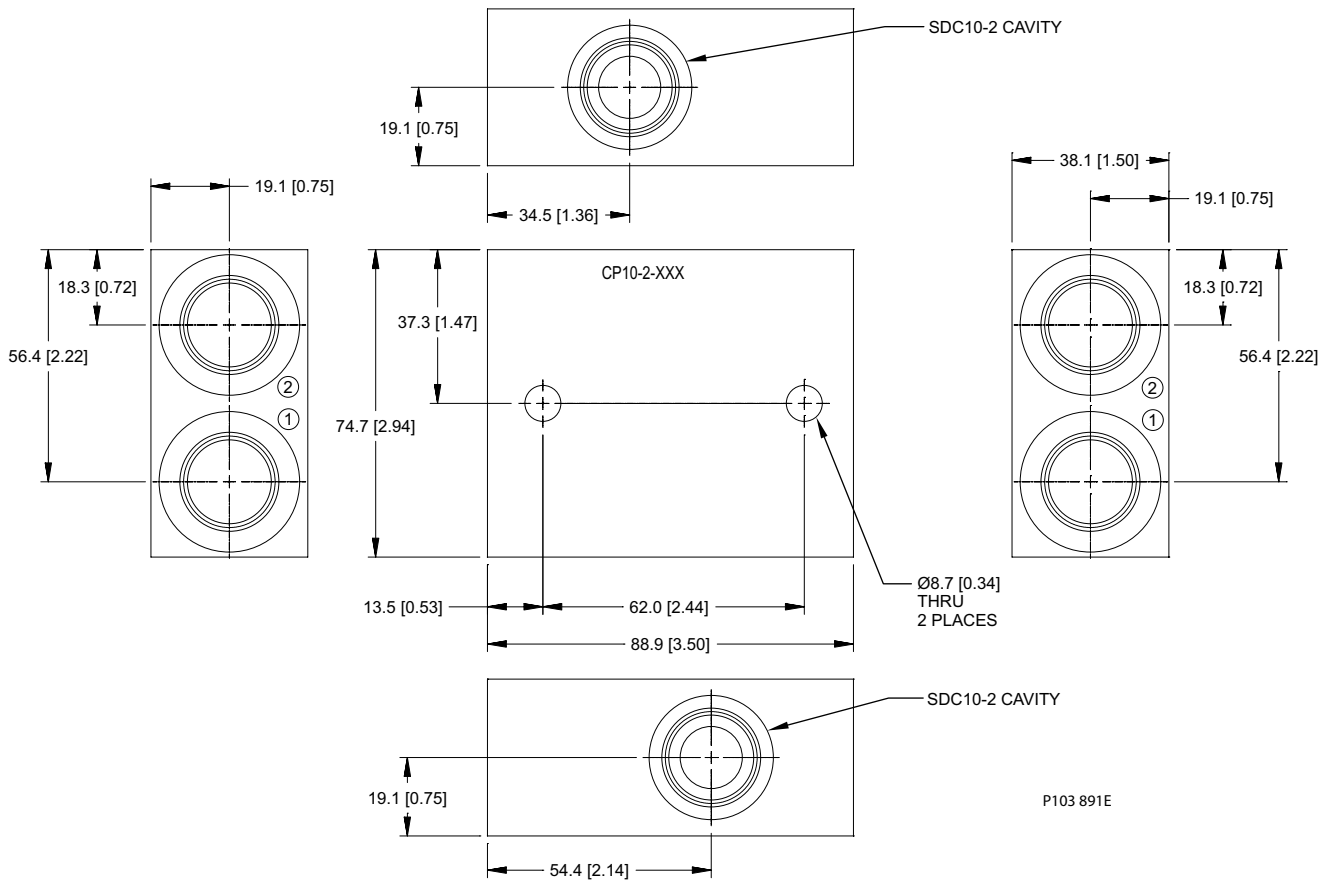
Options

Order Code	Description	Style	Ports
SDC10-2-DG-4B	Aluminum Housing	DG	1/2 BSP



Cartridge Valves Technical Information  
Housings  
SDC10-2 (Crossover)

Housing drawing



Options

Order Code	Description	Style	Ports
CP10-2-10S-2CR	Aluminum Housing	Crossover	SAE #10

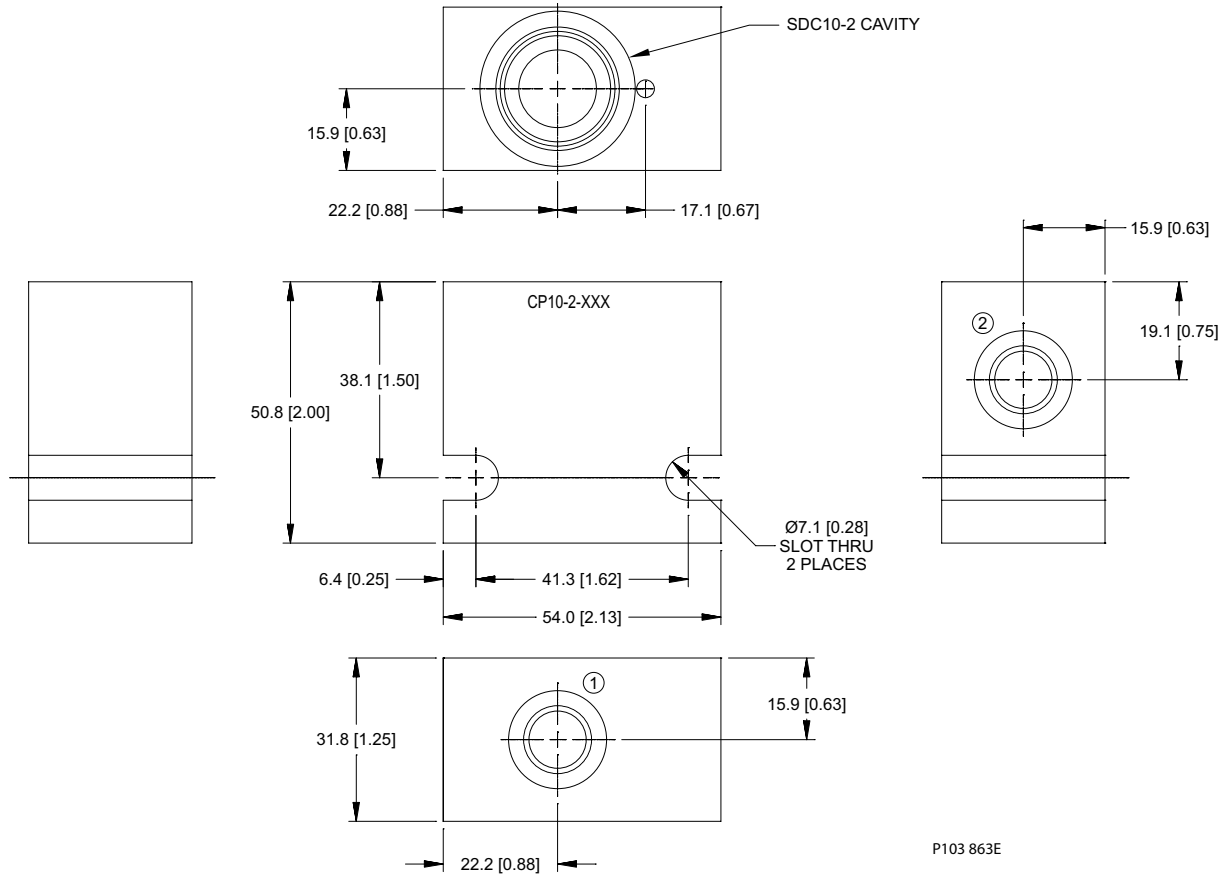


# Cartridge Valves Technical Information

## Housings

### SDC10-2 (Standard)

#### Dimensions



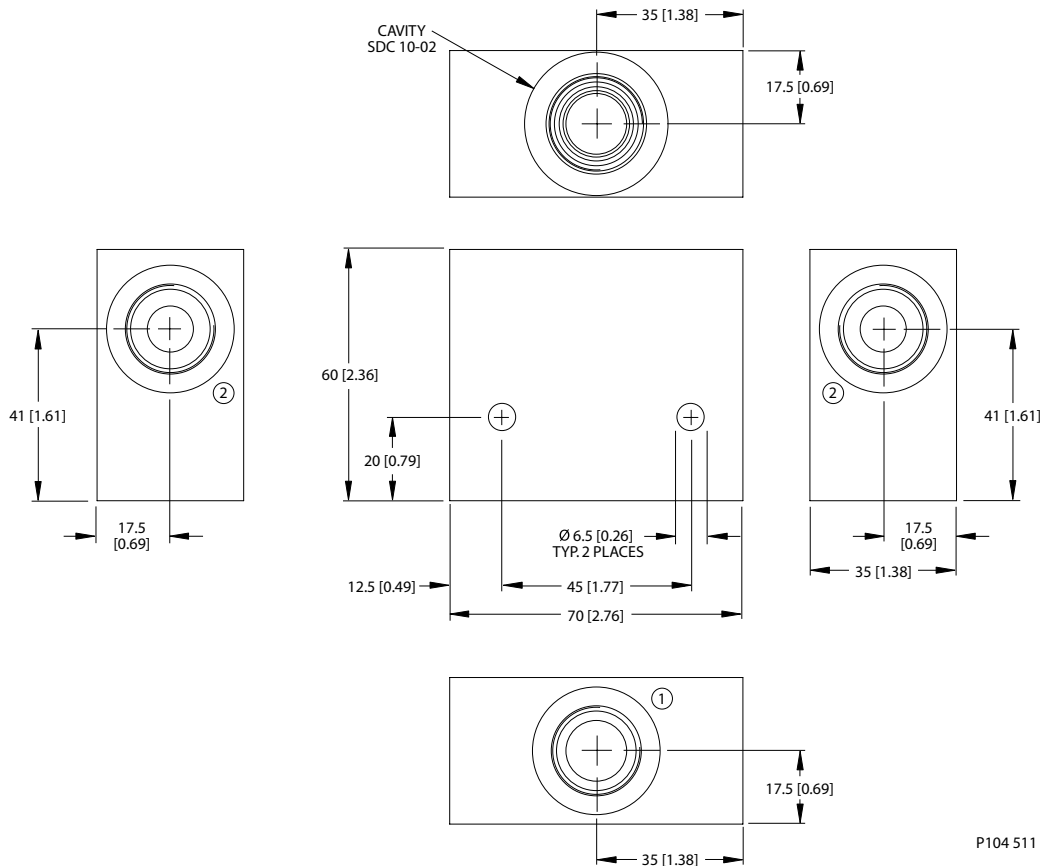
#### Options

Order Code	Description	Style	Ports
CP10-2-6S	Aluminum Housing	Standard	SAE #6
CP10-2-8S	Aluminum Housing	Standard	SAE #8
CP10-2-S6S	Steel Housing	Standard	SAE #6
CP10-2-S8S	Steel Housing	Standard	SAE #8



Cartridge Valves Technical Information  
Housings  
SDC10-2 (LG1)

Housing drawing



P104 511

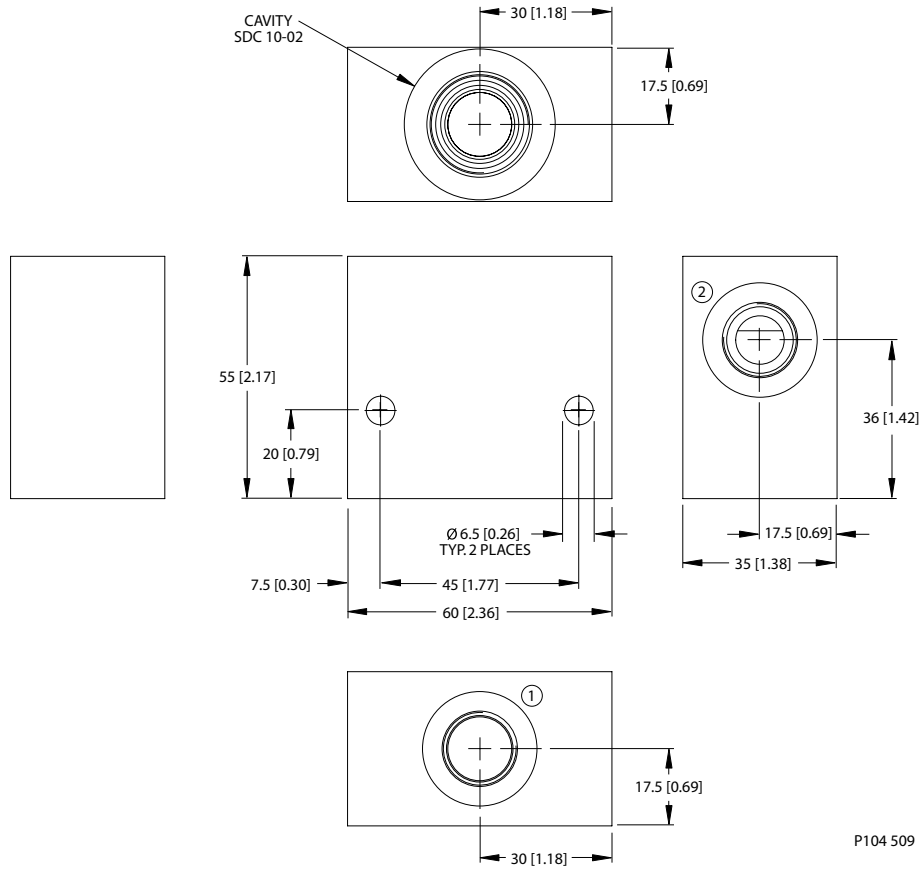
Options

Order Code	Description	Style	Ports
SDC10-2-LG1-4B	Aluminum Housing, Two #2 Ports	LG1	1/2 BSP



Cartridge Valves Technical Information  
Housings  
SDC10-2 (DG)

Dimensions



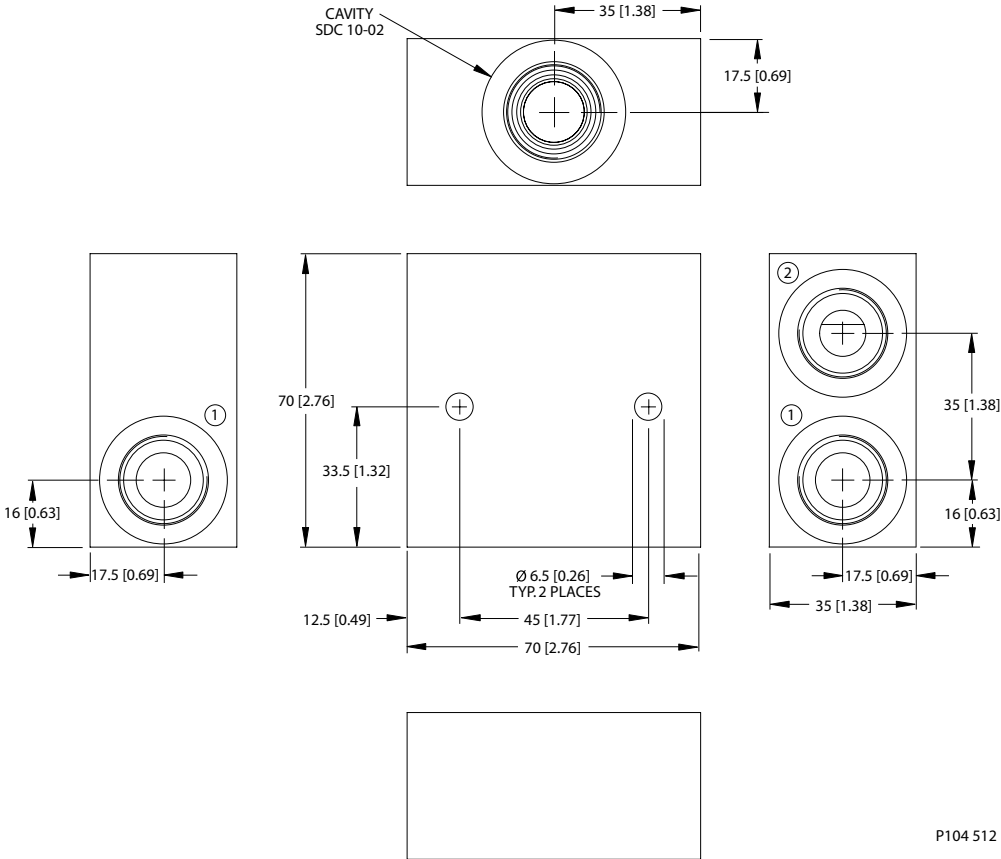
Options

Order Code	Description	Style	Ports
SDC10-2-DG-3B	Aluminum Housing	DG	3/8 BSP



Cartridge Valves Technical Information  
Housings  
SDC10-2 (LG2)

Housing drawing



P104 512

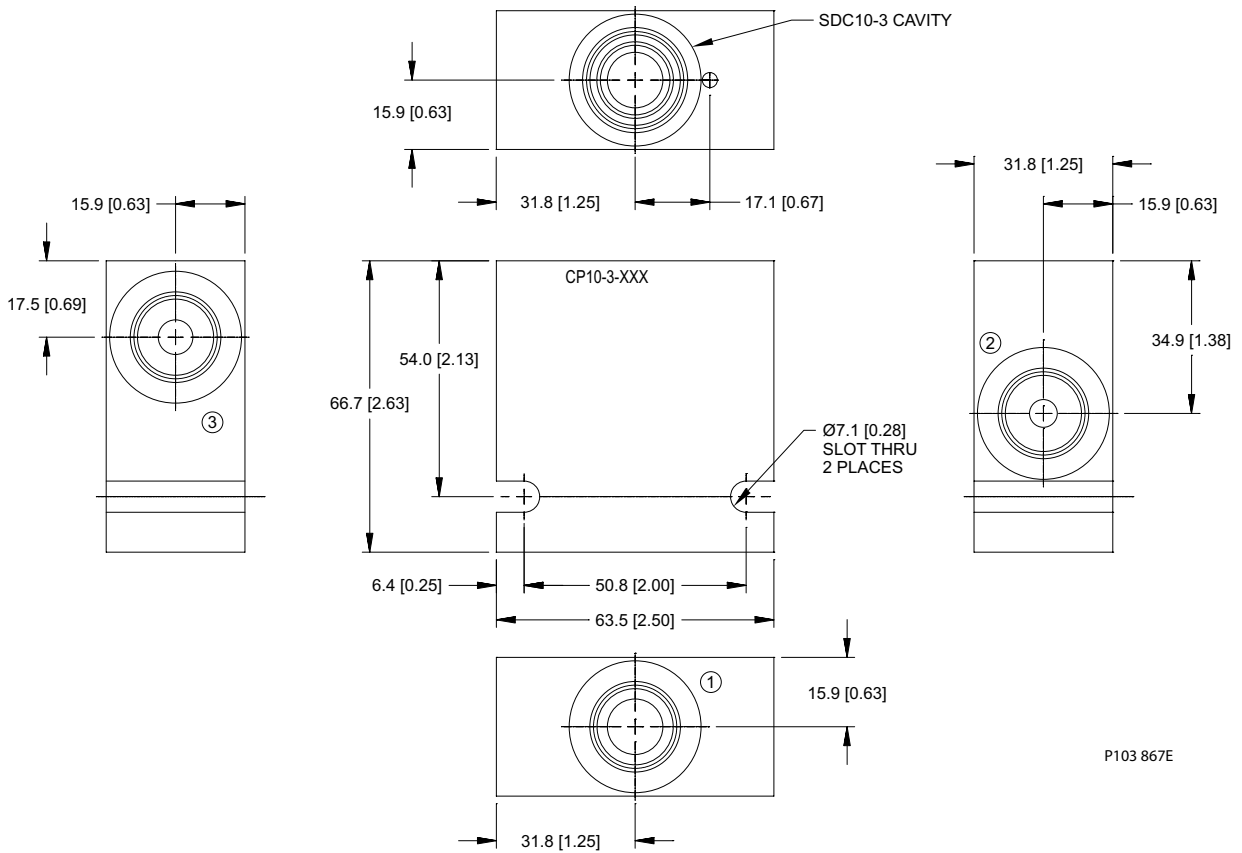
Options

Order Code	Description	Style	Ports
SDC10-2-LG2-4B	Aluminum Housing, Two #1 Ports	LG2	1/2 BSP



Cartridge Valves Technical Information  
Housings  
SDC10-3 (Standard)

Dimensions



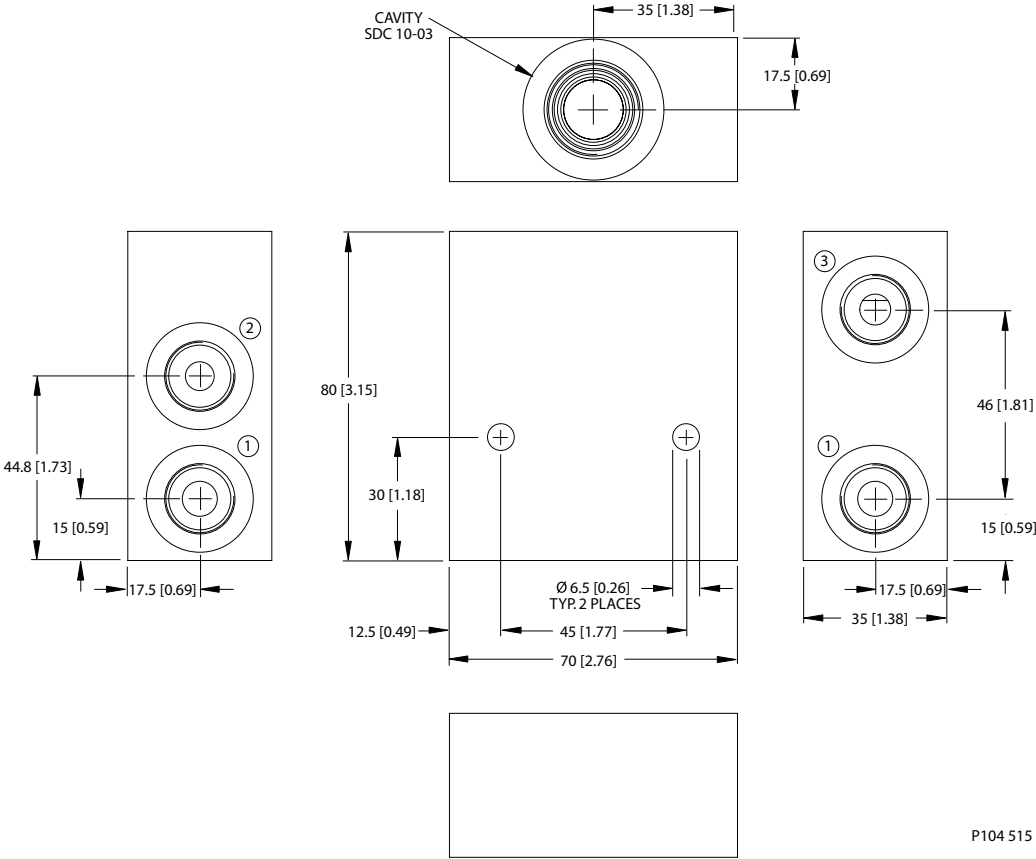
Options

Order Code	Description	Style	Ports
CP10-3-6S	Aluminum Housing	Standard	SAE #6
CP10-3-8S	Aluminum Housing	Standard	SAE #8
CP10-3-S6S	Steel Housing	Standard	SAE #6
CP10-3-S8S	Steel Housing	Standard	SAE #8



Cartridge Valves Technical Information  
Housings  
SDC10-3 (SI)

Housing drawing



P104 515

Options

Order Code	Description	Style	Ports
SDC10-3-SI-3B	Aluminum Housing, Two #1 Ports	SI	3/8 BSP

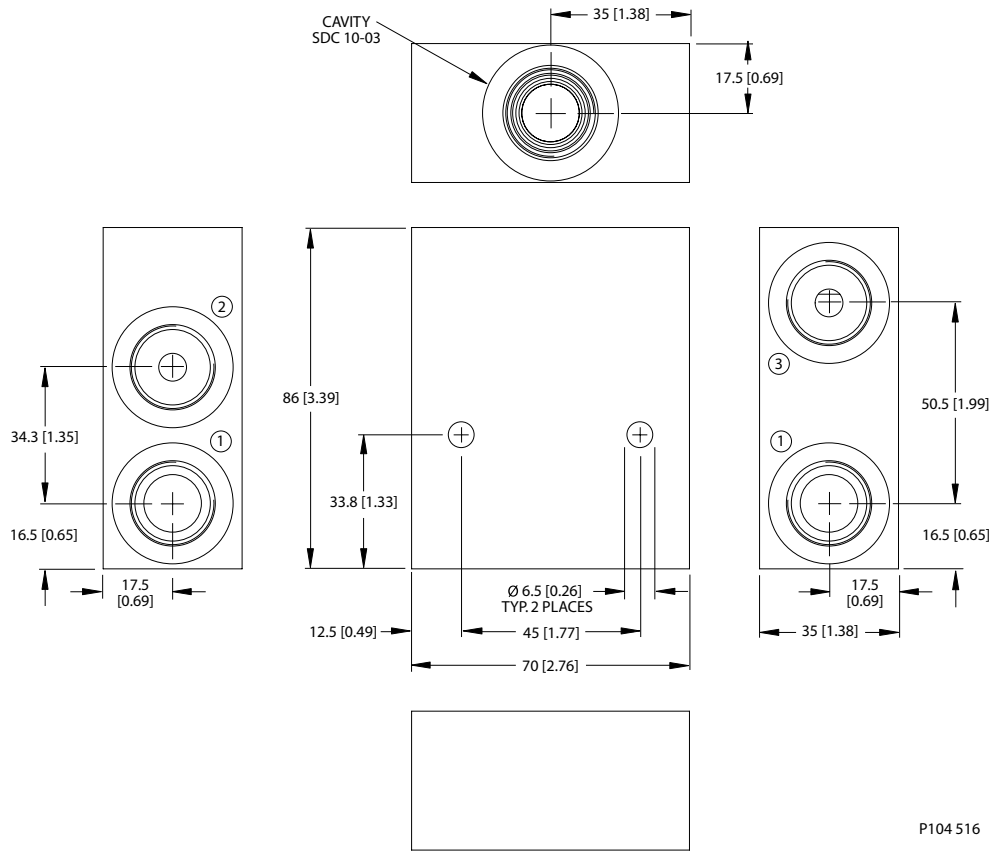
Housings  
(SI) E-01C10S





Cartridge Valves Technical Information  
Housings  
SDC10-3 (SI)

Dimensions



P104516

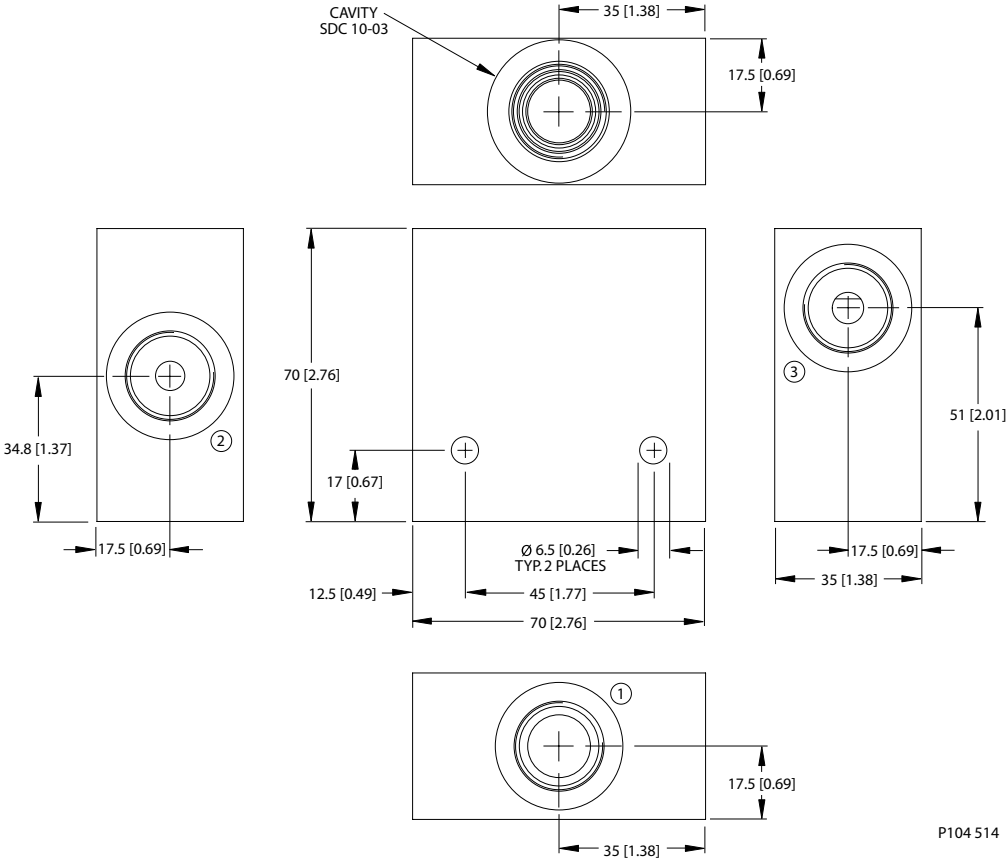
Options

Order Code	Description	Style	Ports
SDC10-3-SI-4B	Aluminum Housing, Two #1 Ports	SI	1/2 BSP



Cartridge Valves Technical Information  
Housings  
SDC10-3 (SE)

Housing drawing



Options

Order Code	Description	Style	Ports
SDC10-3-SE-4B	Aluminum Housing	SE	1/2 BSP

Housings  
(SE) 3-10-1-03

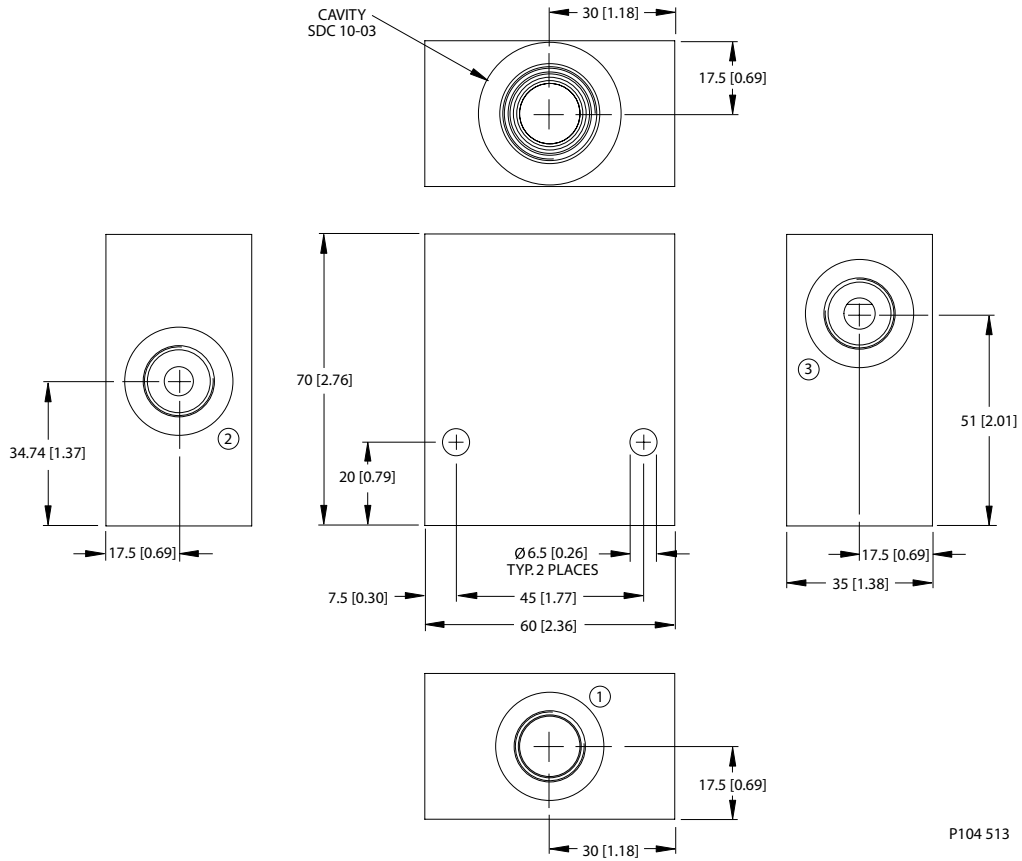


# Cartridge Valves Technical Information

## Housings

### SDC10-3 (SE)

#### Dimensions



P104 513

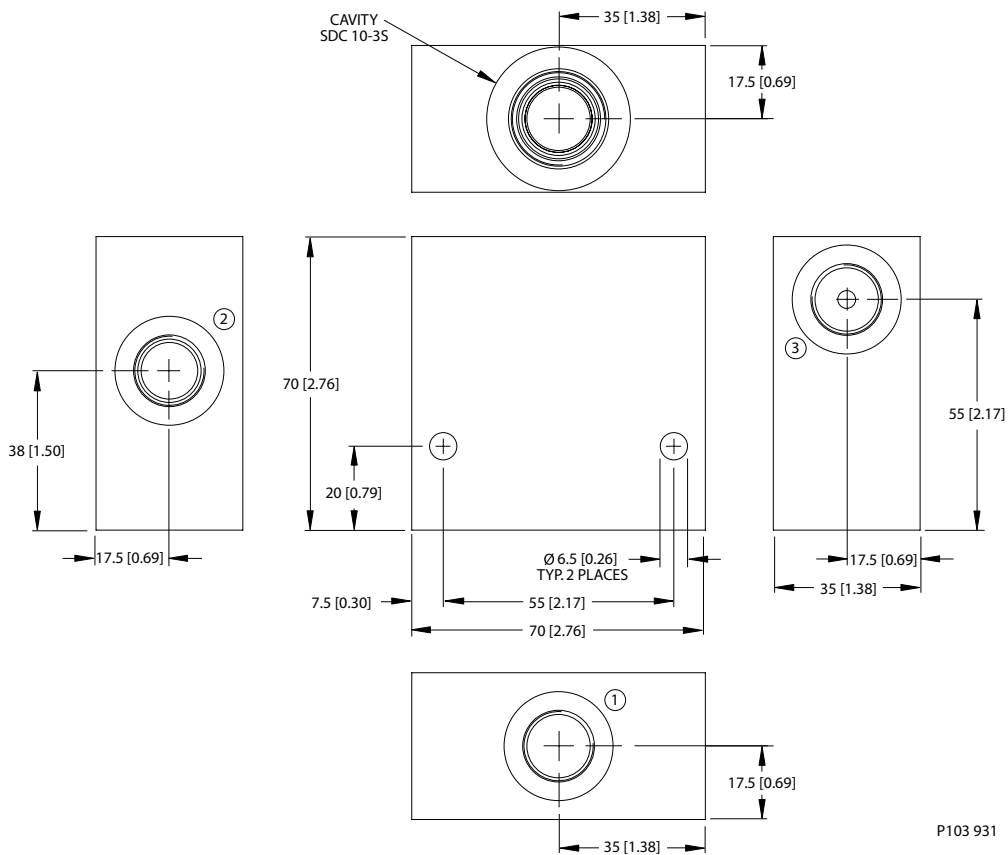
#### Options

Order Code	Description	Style	Ports
SDC10-3-SE-3B	Aluminum Housing	SE	3/8 BSP



Cartridge Valves Technical Information  
Housings  
SDC10-3S (SE)

Housing drawing



Options

Order Code	Description	Style	Ports
SDC10-3S-SE-3B	Aluminum Housing	SE	3/8 BSP
SDC10-3S-SE-4B	Aluminum Housing	SE	1/2 BSP

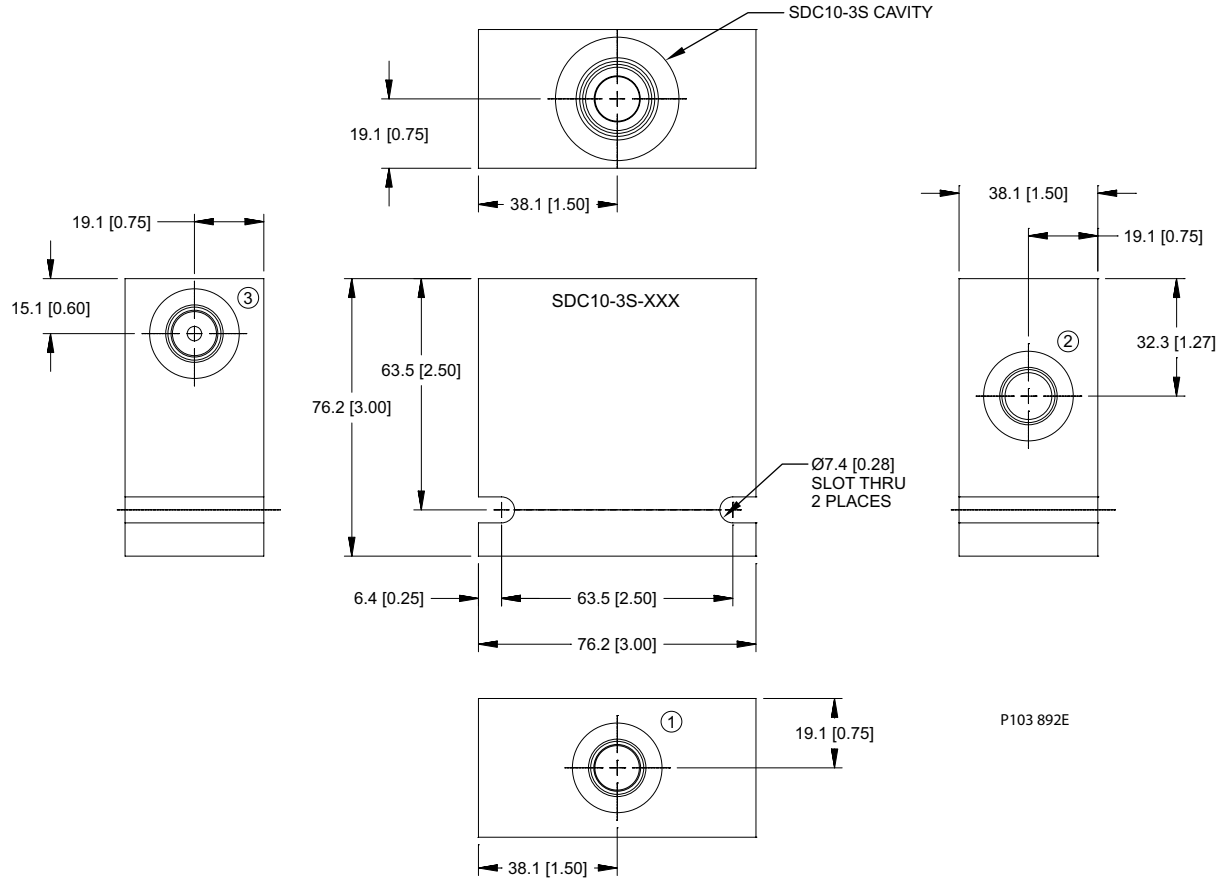


# Cartridge Valves Technical Information

## Housings

### SDC10-3S (Standard)

#### Dimensions



#### Options

Order Code	Description	Style	Ports
SDC10-3S-10S/6S	Aluminum Housing, Pilot at Port #3	Standard	SAE #10
SDC10-3S-6S/6S	Aluminum housing, pilot at port #3	Standard	SAE #6
SDC10-3S-8S/6S	Aluminum Housing, Pilot at Port #3	Standard	SAE #8

SDC10-3S (Standard)  
Housings

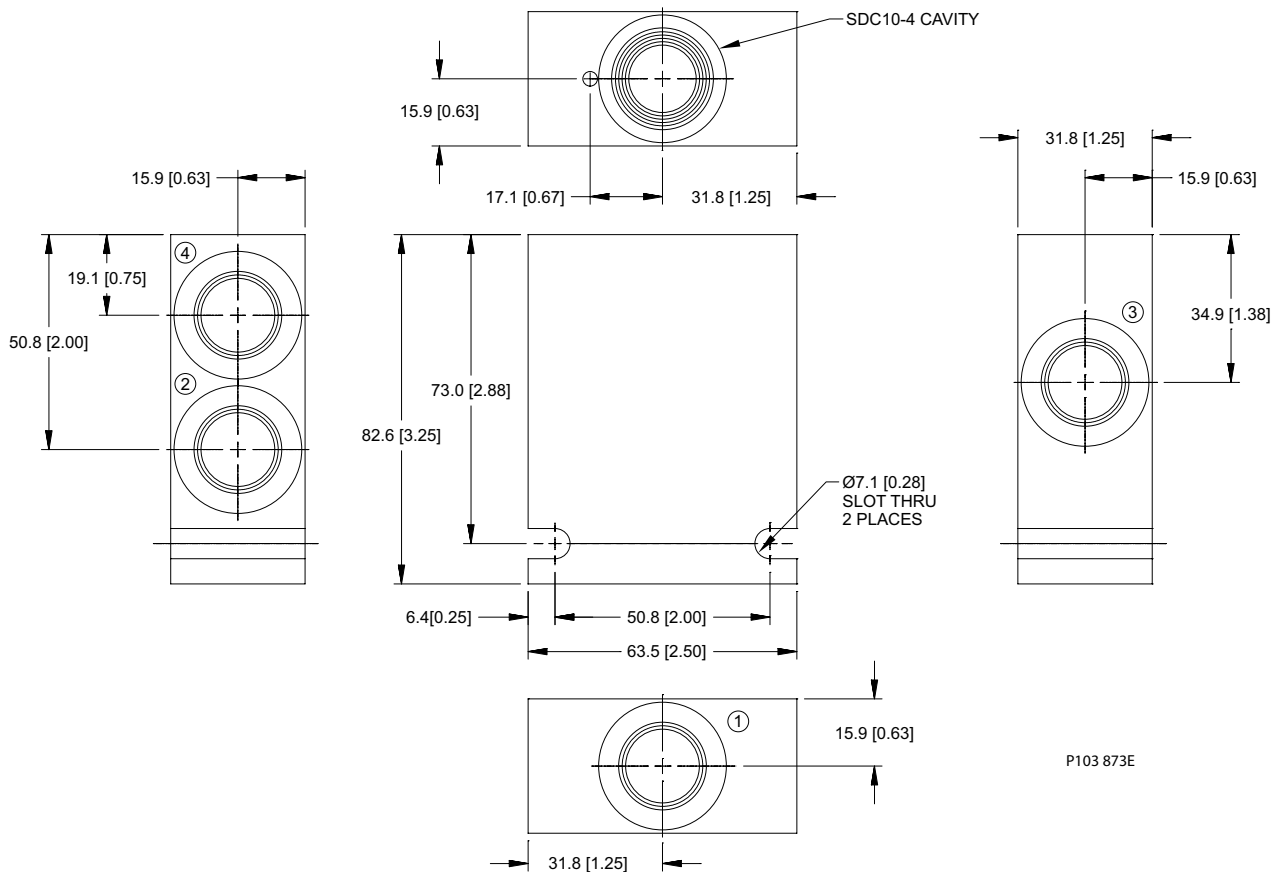


## Cartridge Valves Technical Information

### Housings

#### SDC10-4 (Standard)

#### Housing drawing



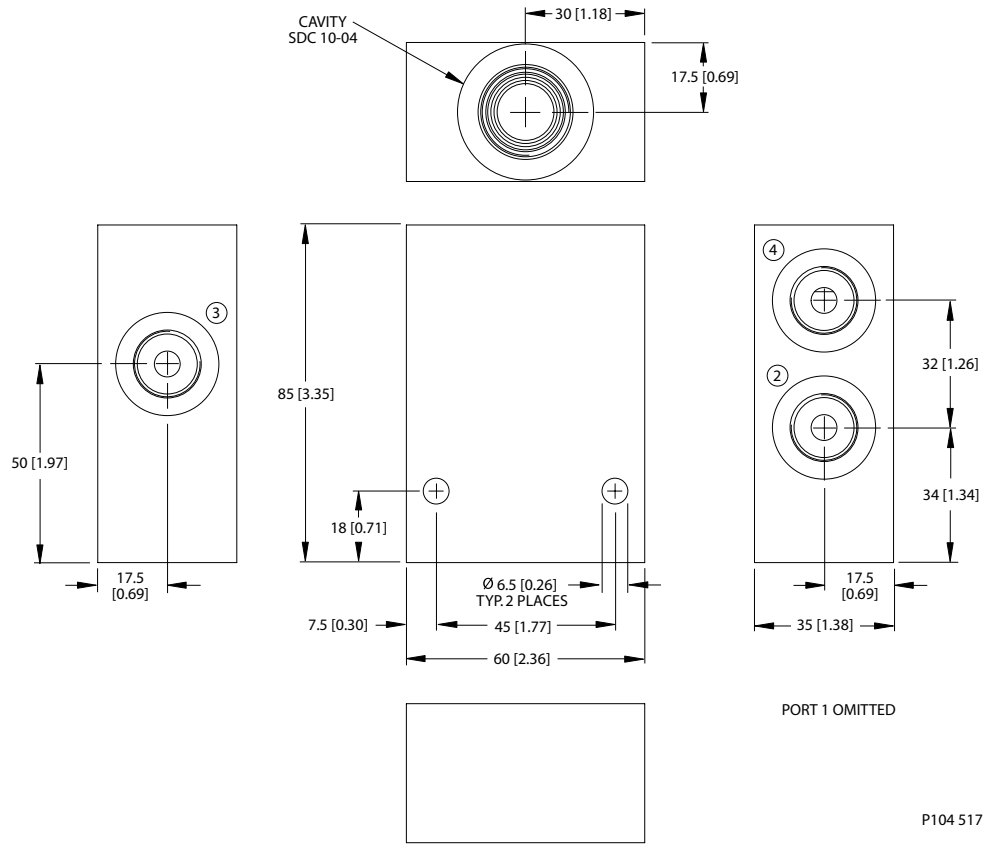
#### Options

Order Code	Description	Style	Ports
CP10-4-6S	Aluminum Housing	Standard	SAE #6
CP10-4-6S-X1	Aluminum Housing, No Port #1	Omit port 1	SAE #6
CP10-4-8S	Aluminum Housing	Standard	SAE #8
CP10-4-8S-X1	Aluminum Housing, No Port #1	Omit port 1	SAE #8
CP10-4-S6S	Steel Housing	Standard	SAE #6
CP10-4-S8S	Steel Housing	Standard	SAE #8



Cartridge Valves Technical Information  
Housings  
SDC10-4 (HD)

Dimensions



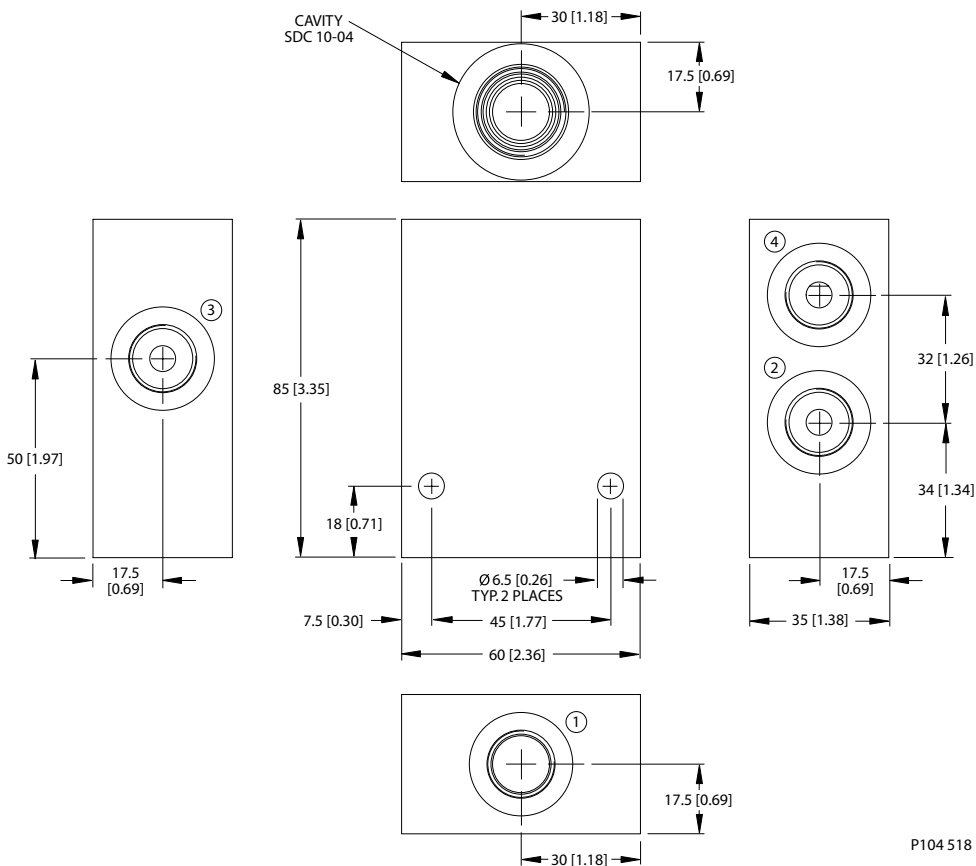
Options

Order Code	Description	Style	Ports
SDC10-4-HD-3B	Aluminum Housing, No Port #1	HD	3/8 BSP



Cartridge Valves Technical Information  
Housings  
SDC10-4 (L)

Housing drawing



Options

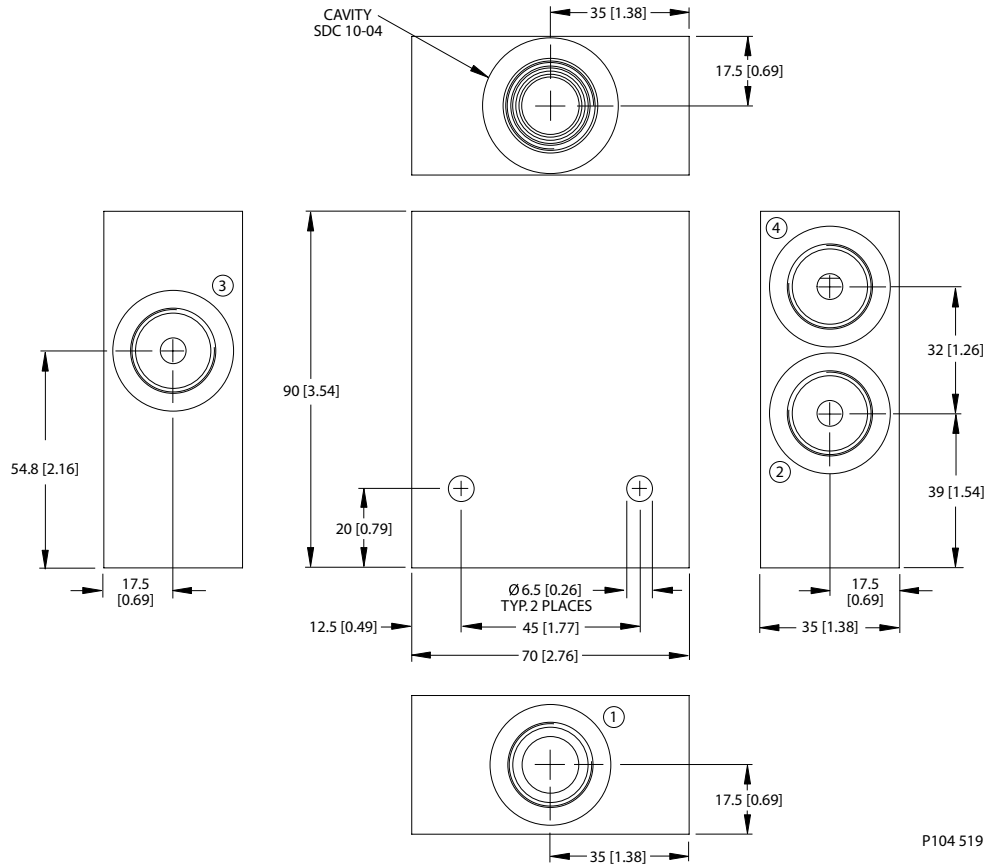
Order Code	Description	Style	Ports
SDC10-4-L-3B	Aluminum Housing	L	3/8 BSP





Cartridge Valves Technical Information  
Housings  
SDC10-4 (L)

Dimensions



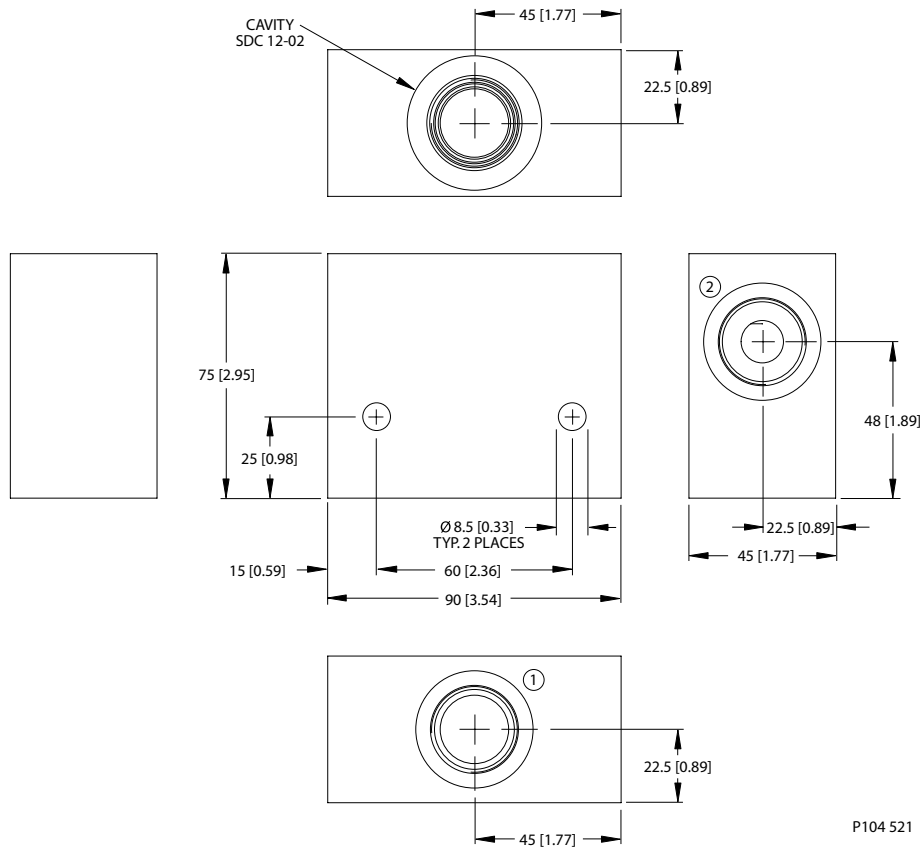
Options

Order Code	Description	Style	Ports
SDC10-4-L-4B	Aluminum Housing	L	1/2 BSP



Cartridge Valves Technical Information  
Housings  
SDC12-2 (DG)

Housing drawing



P104 521

Options

Order Code	Description	Style	Ports
SDC12-2-DG-6B	Aluminum Housing	DG	3/4 BSP

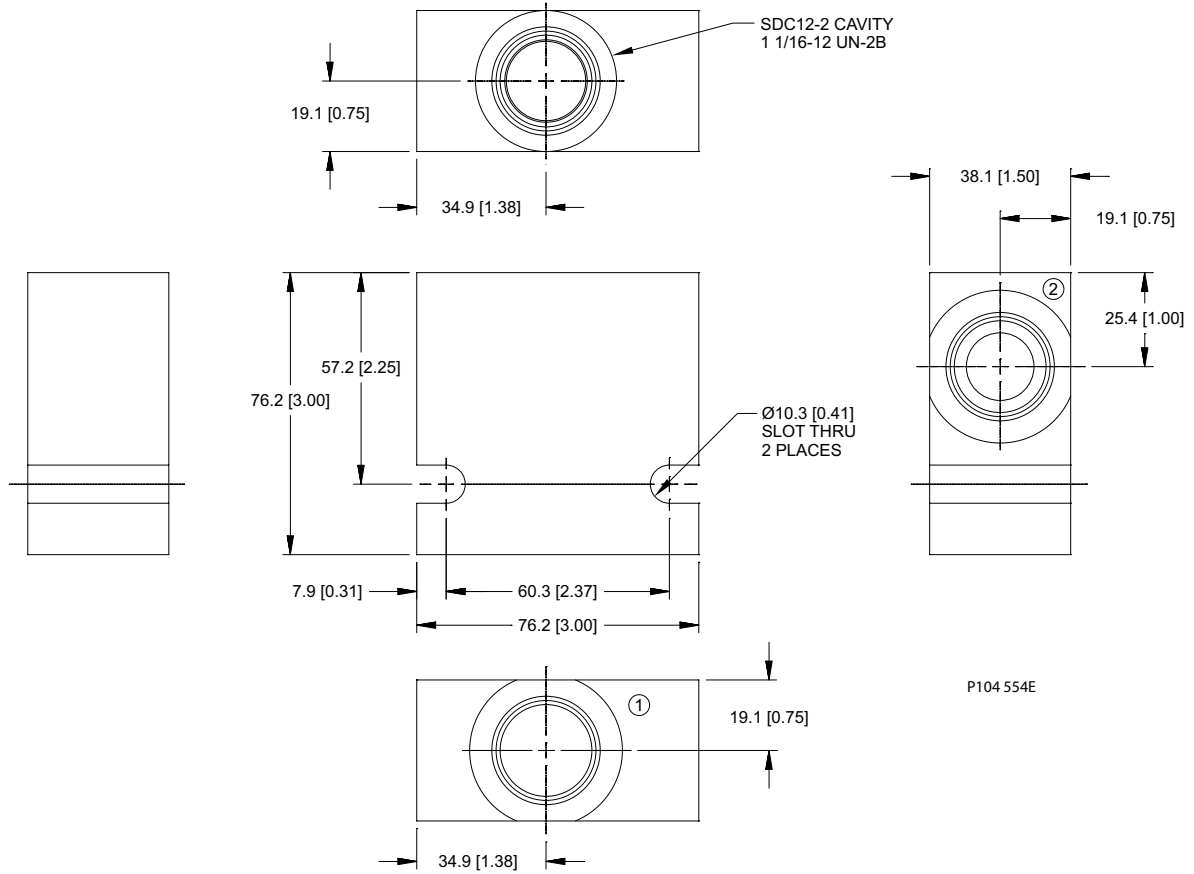


# Cartridge Valves Technical Information

## Housings

### SDC12-2 (Standard)

#### Dimensions



#### Options

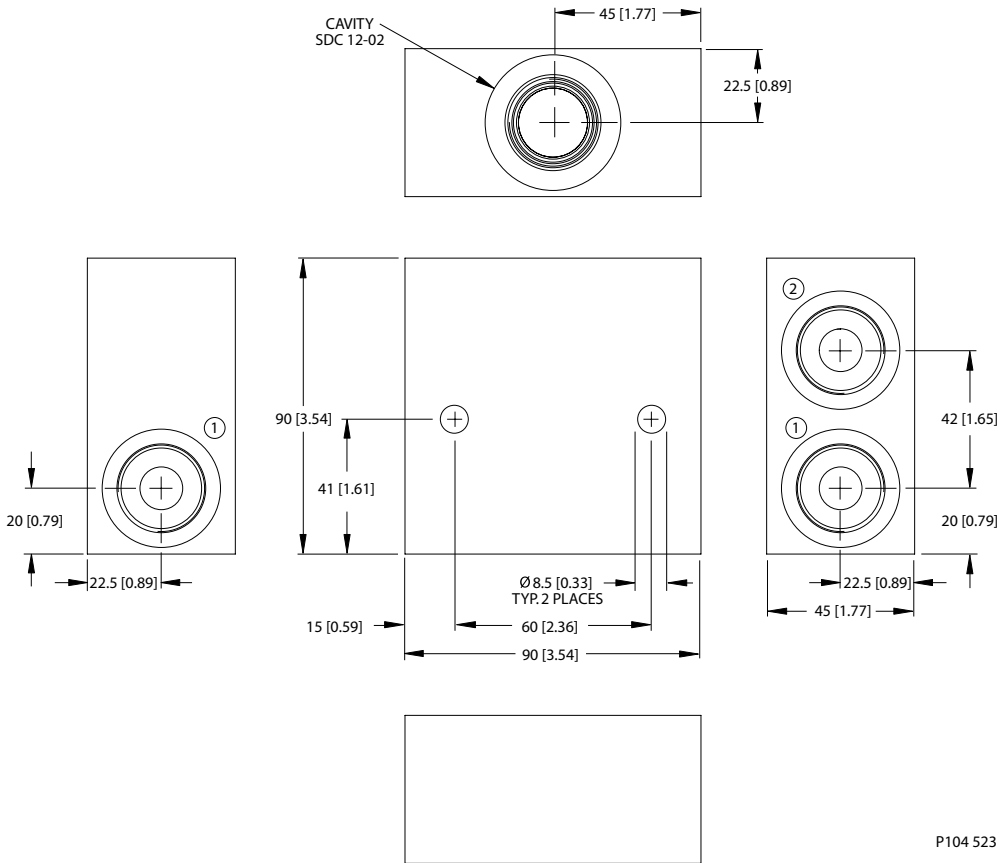
Order Code	Description	Style	Ports
SDC12-2-10S	Aluminum housing	Standard	#10 SAE
SDC12-2-12S	Aluminum housing	Standard	#12 SAE

SDC12-2 (Standard)  
Housings



Cartridge Valves Technical Information  
 Housings  
 SDC12-2 (LG2)

Housing drawing



Options

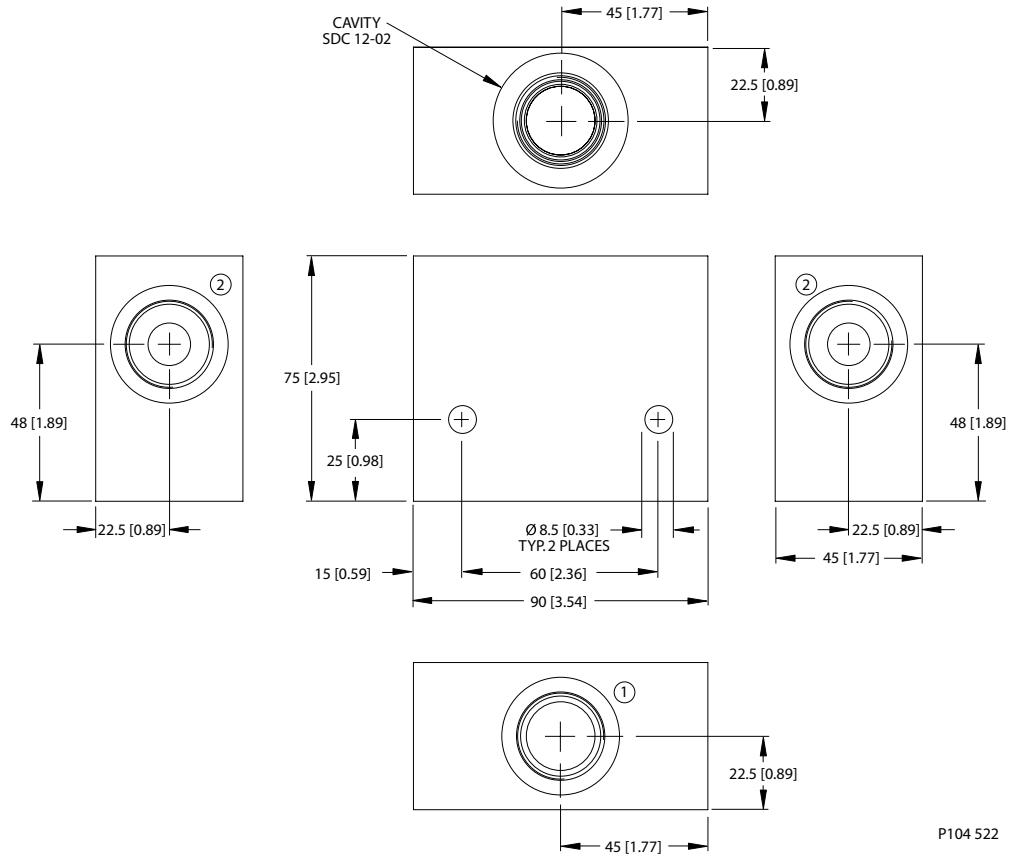
Order Code	Description	Style	Ports
SDC12-2-LG2-6B	Aluminum Housing, Two #1 Ports	LG2	3/4 BSP

SDC12-2 (LG2) Housings



Cartridge Valves Technical Information  
Housings  
SDC12-2 (LG1)

Dimensions



P104 522

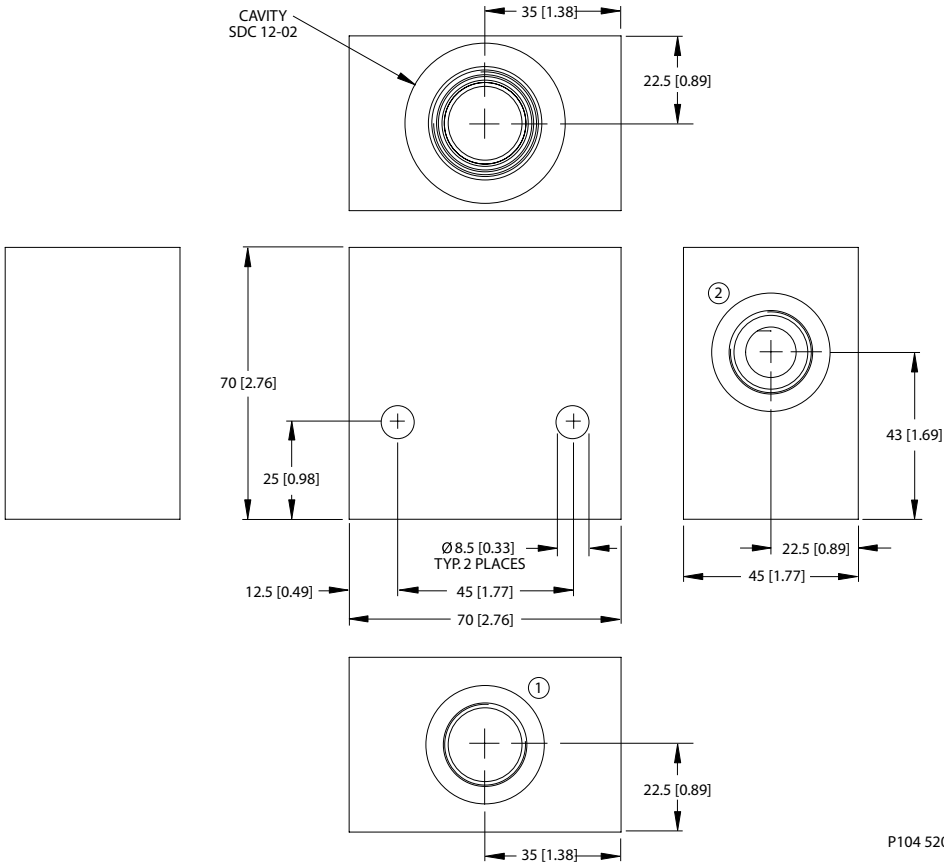
Options

Order Code	Description	Style	Ports
SDC12-2-LG1-6B	Aluminum Housing, Two #2 Ports	LG1	3/4 BSP



Cartridge Valves Technical Information  
Housings  
SDC12-2 (DG)

Housing drawing



Options

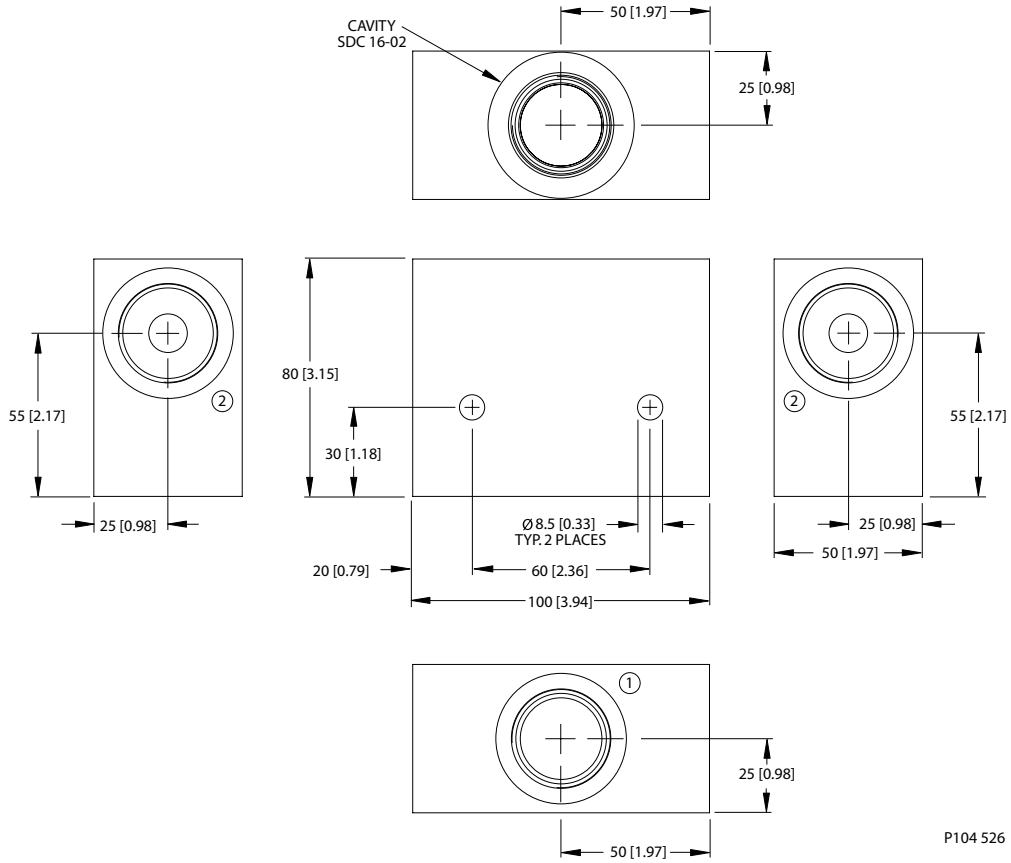
Order Code	Description	Style	Ports
SDC12-2-DG-4B	Aluminum Housing	DG	1/2 BSP

Housings  
SDC12-2 (DG)



Cartridge Valves Technical Information  
Housings  
SDC16-2 (HG1)

Dimensions



Options

Order Code	Description	Style	Ports
SDC16-2-HG1-8B	Aluminum Housing, Two #2 Ports	HG1	1 BSP

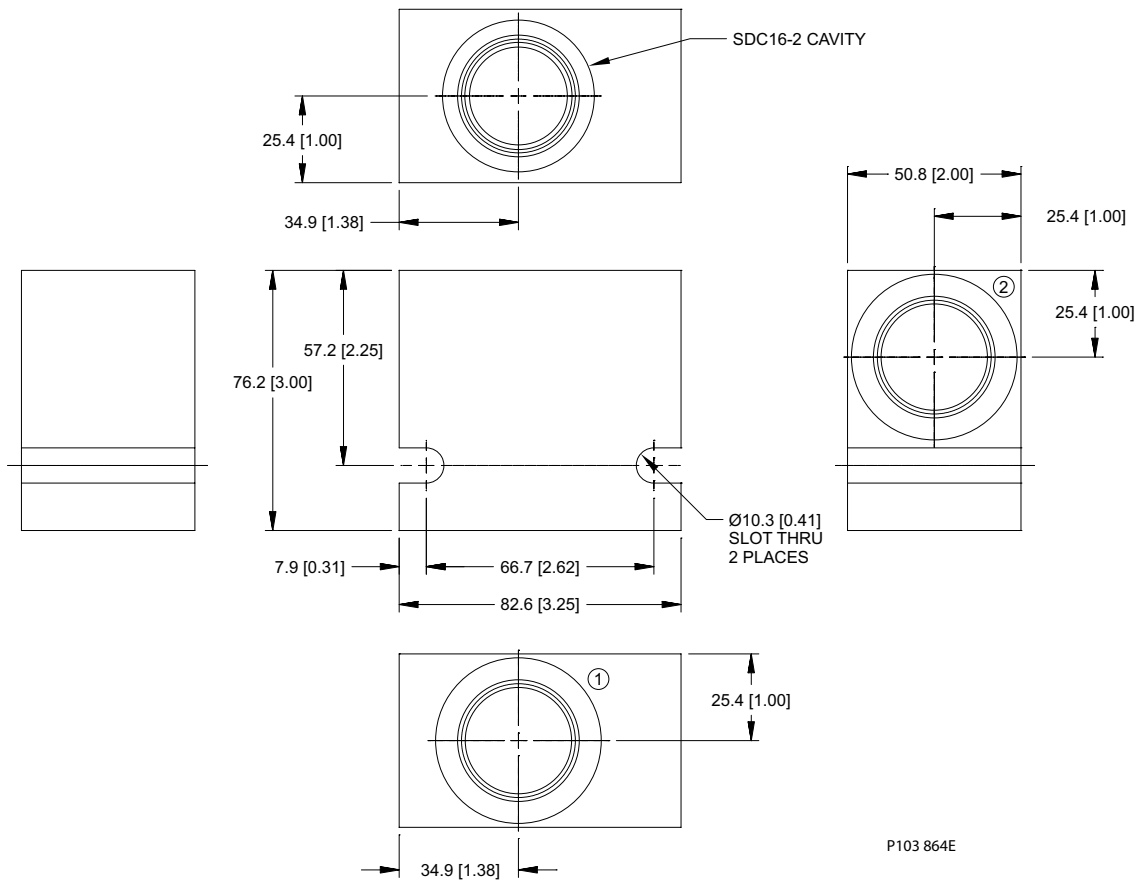


# Cartridge Valves Technical Information

## Housings

### SDC16-2 (Standard)

#### Housing drawing



#### Options

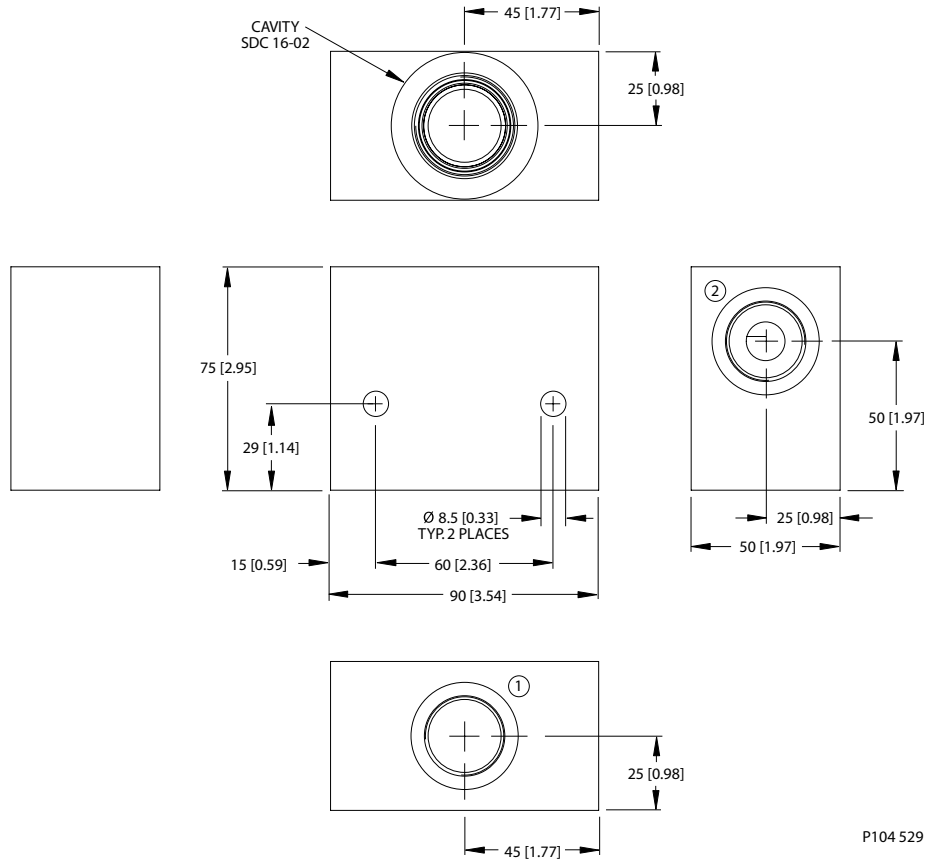
Order Code	Description	Style	Ports
CP16-2-12S	Aluminum Housing	Standard	SAE #12
CP16-2-16S	Aluminum Housing	Standard	SAE #16
CP16-2-S16S	Steel Housing	Standard	SAE #16





Cartridge Valves Technical Information  
Housings  
SDC16-2 (HG)

Dimensions



Options

Order Code	Description	Style	Ports
SDC16-2-HG-8B	Aluminum Housing	HG	1 BSP

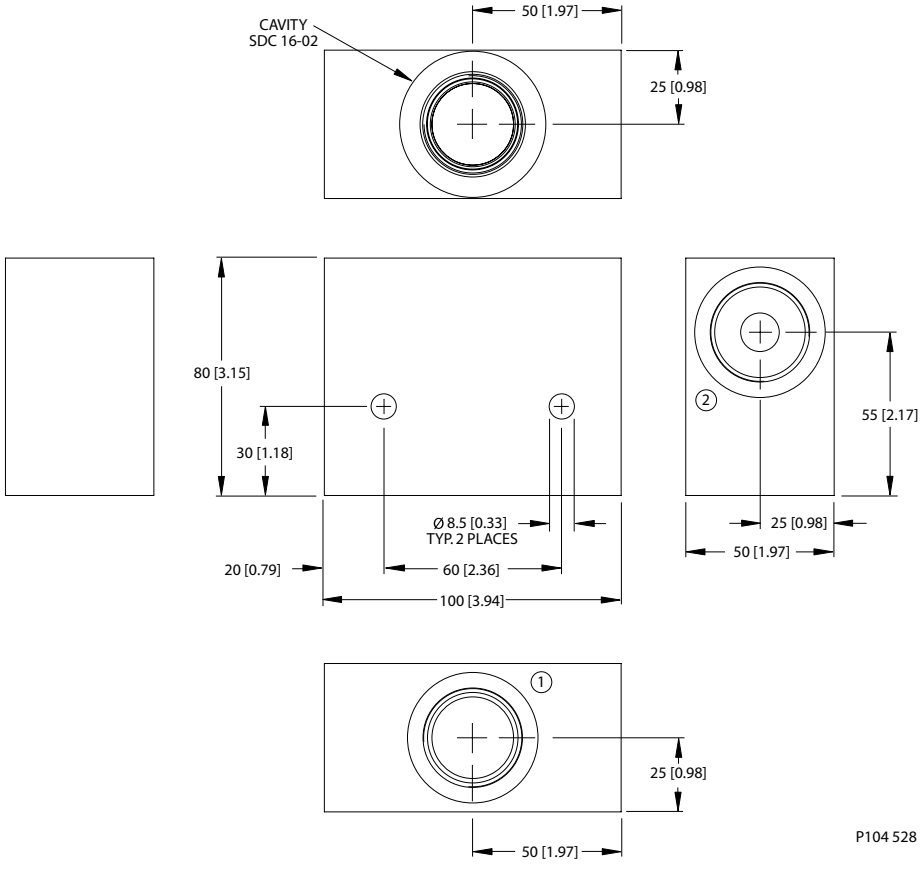


# Cartridge Valves Technical Information

## Housings

### SDC16-2 (HG)

#### Housing drawing



P104 528

#### Options

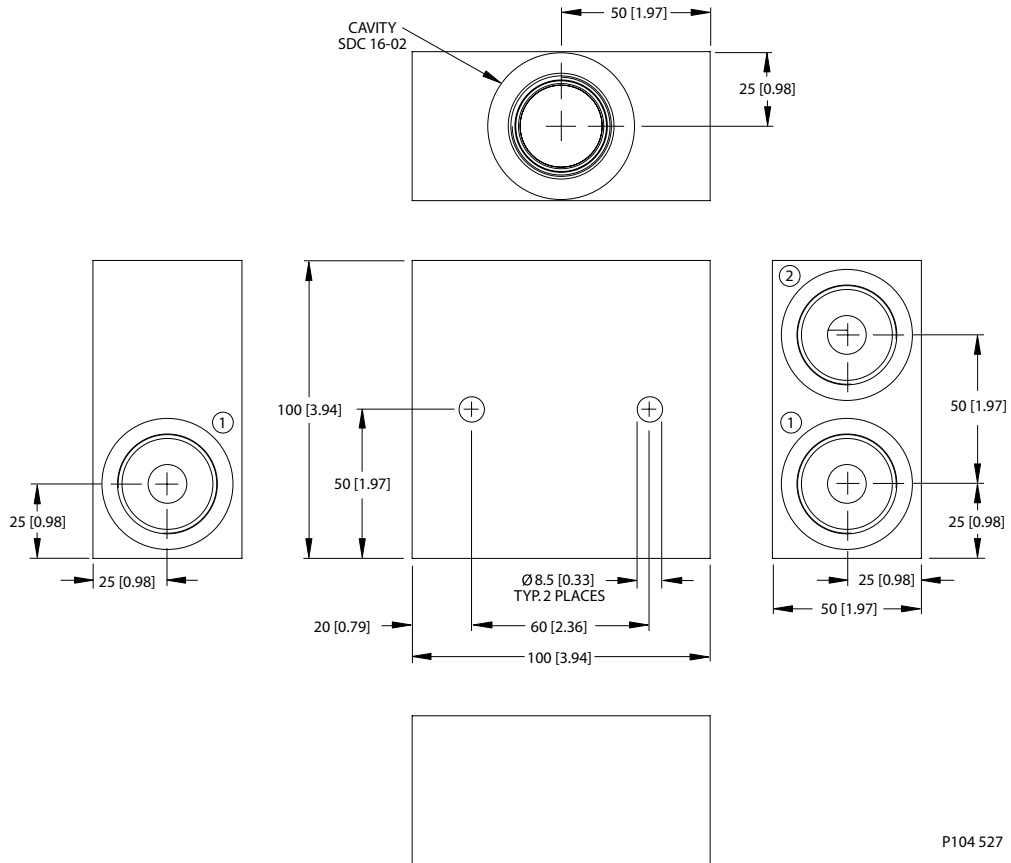
Order Code	Description	Style	Ports
SDC16-2-HG-6B	Aluminum Housing	HG	3/4 BSP

Housings  
(HG)-2-91C15S



Cartridge Valves Technical Information  
Housings  
SDC16-2 (HG2)

Dimensions



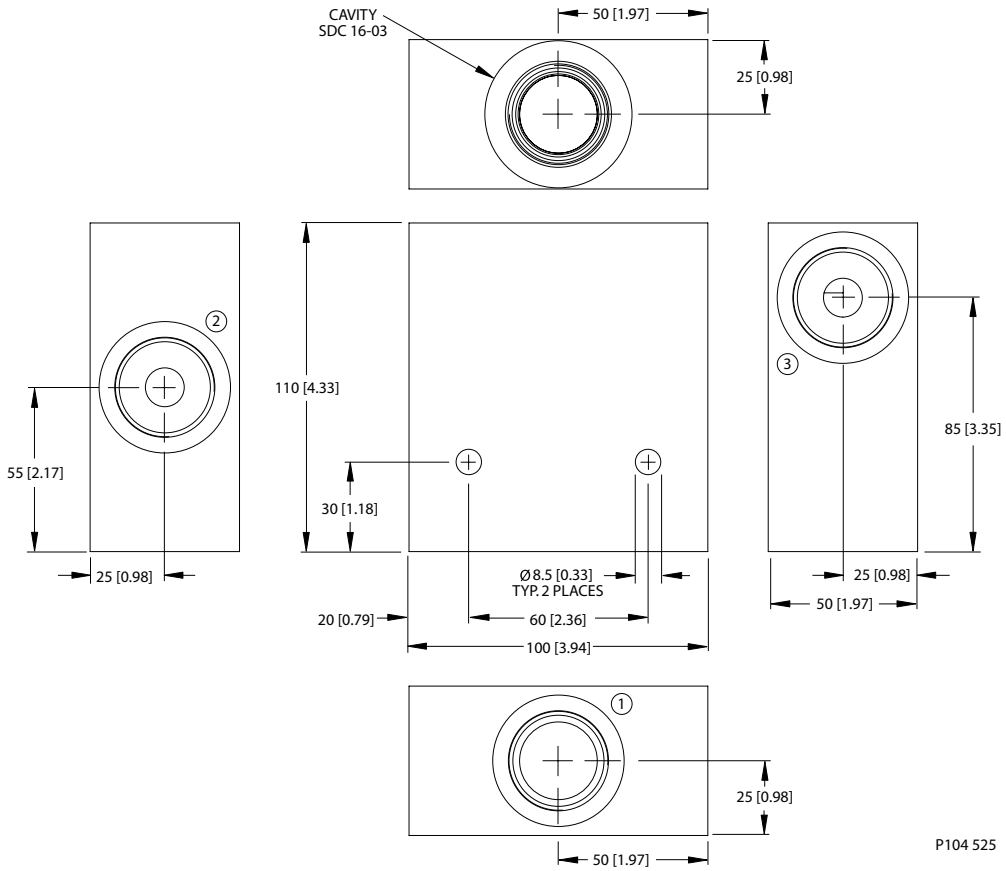
Options

Order Code	Description	Style	Ports
SDC16-2-HG2-8B	Aluminum Housing, Two #1 Ports	HG2	1 BSP



Cartridge Valves Technical Information  
Housings  
SDC16-3 (HE)

Housing drawing



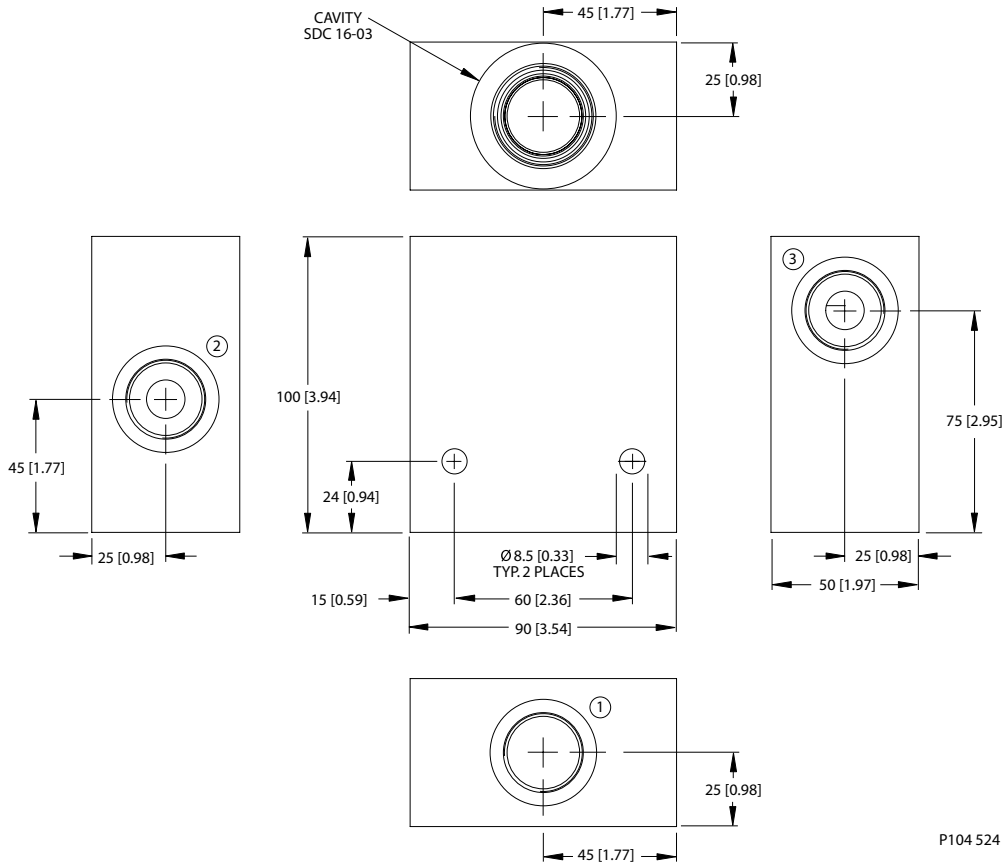
Options

Order Code	Description	Style	Ports
SDC16-2-HE-8B	Aluminum Housing	HE	1 BSP



Cartridge Valves Technical Information  
Housings  
SDC16-3 (HE)

Dimensions



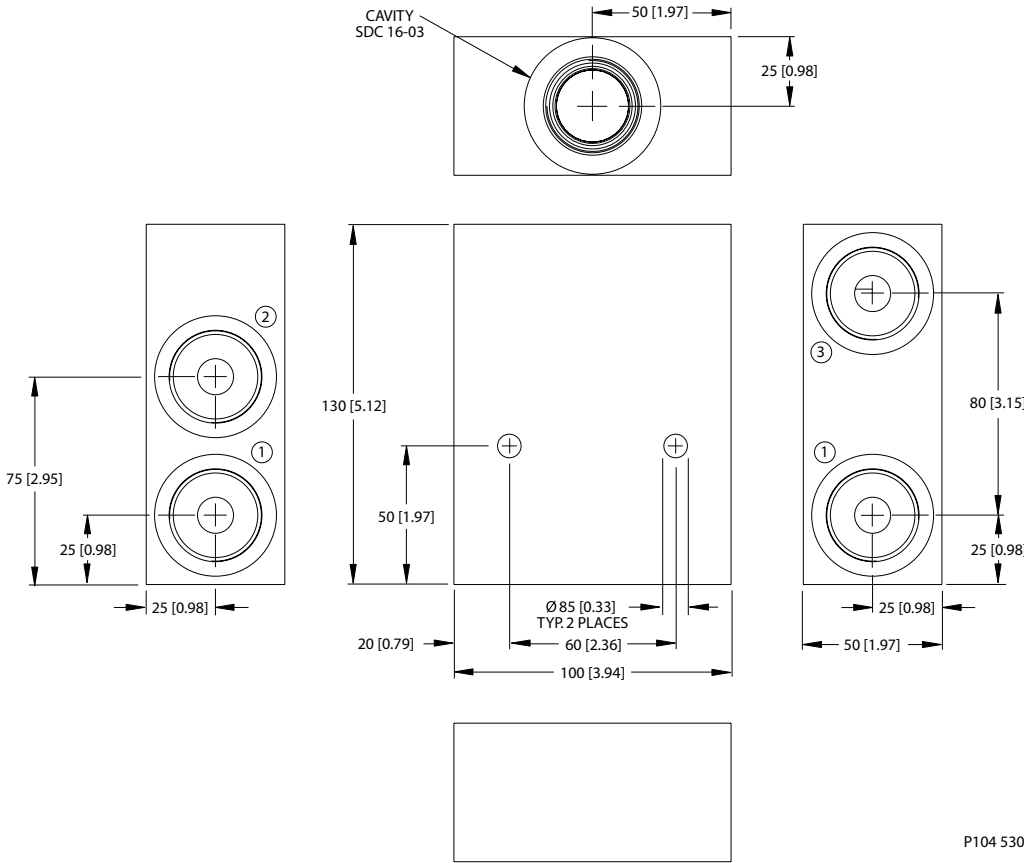
Options

Order Code	Description	Style	Ports
SDC16-2-HE-6B	Aluminum Housing	HE	3/4 BSP



Cartridge Valves Technical Information  
Housings  
SDC16-3 (HI)

Housing drawing



Options

Order Code	Description	Style	Ports
SDC16-3-HI-8B	Aluminum Housing, Two #1 Ports	HI	1 BSP

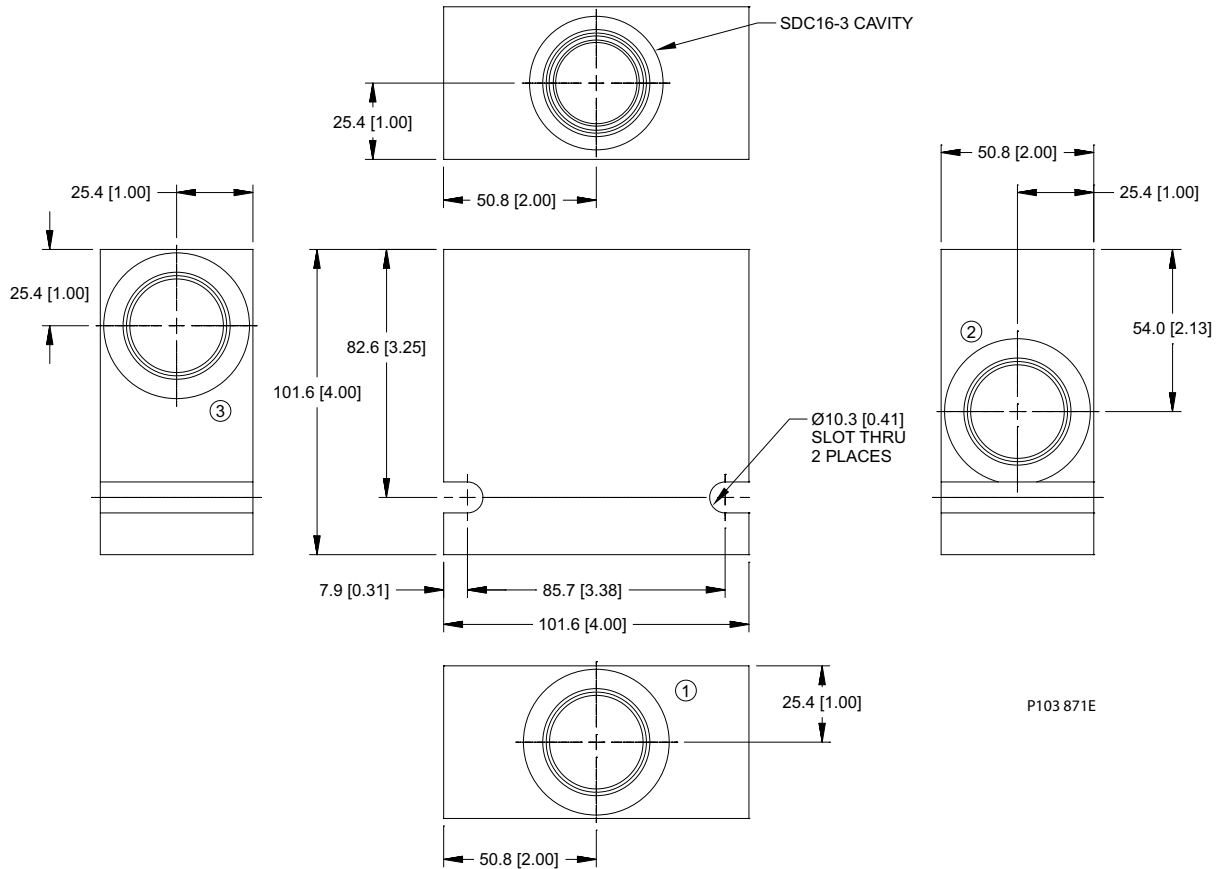


# Cartridge Valves Technical Information

## Housings

### SDC16-3 (Standard)

#### Dimensions



#### Options

Order Code	Description	Style	Ports
CP16-3-12S	Aluminum Housing	Standard	SAE #12
CP16-3-16S	Aluminum Housing	Standard	SAE #16

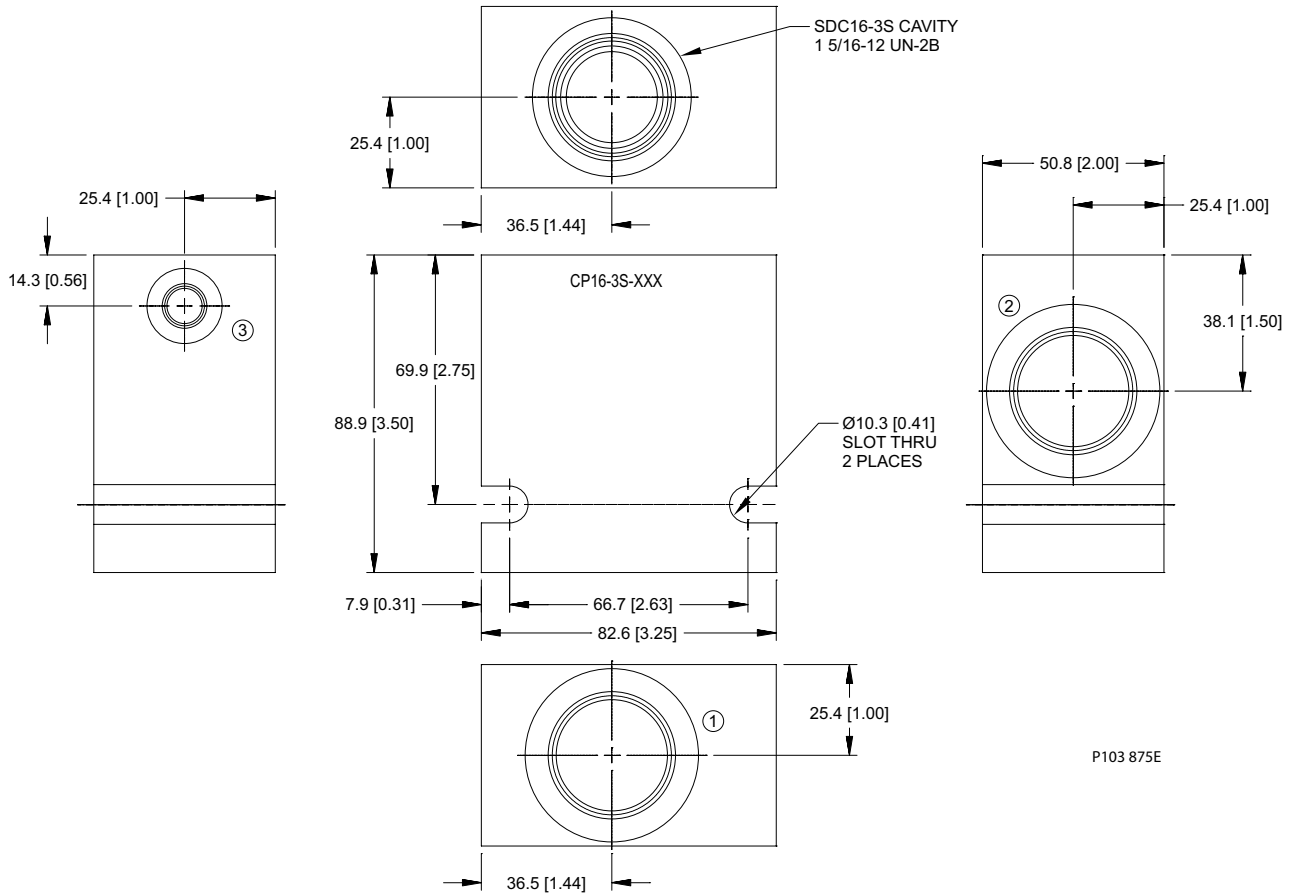


## Cartridge Valves Technical Information

## Housings

## SDC16-3S (Standard)

## Housing drawing



## Options

Order Code	Description	Style	Ports
CP16-3S-12S/4S	Aluminum Housing, Pilot at Port #3	Standard	SAE #12, #4
CP16-3S-16S/4S	Aluminum Housing, Pilot at Port #3	Standard	SAE #16, #4
CP16-3S-6B/2B	Aluminum Housing, Pilot at Port #3	Standard	3/4 BSP, 1/4 BSP
CP16-3S-8B/2B	Aluminum Housing, Pilot at Port #3	Standard	1 BSP, 1/4 BSP



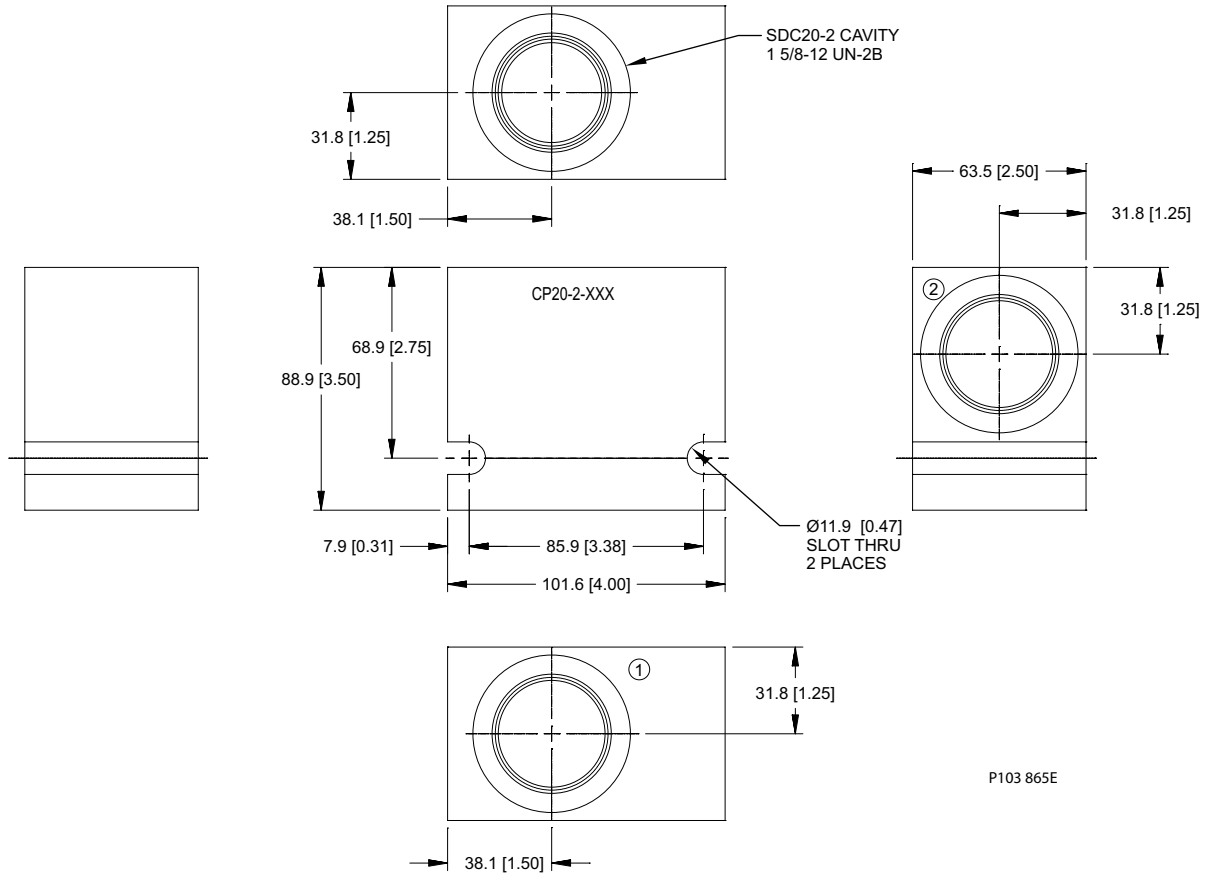


# Cartridge Valves Technical Information

## Housings

### SDC20-2 (Standard)

#### Dimensions



#### Options

Order Code	Description	Style	Ports
CP20-2-10B	Aluminum Housing	Standard	1 1/4 BSP
CP20-2-16S	Aluminum Housing	Standard	SAE #16
CP20-2-20S	Aluminum Housing	Standard	SAE #20
CP20-2-8B	Aluminum Housing	Standard	1 BSP

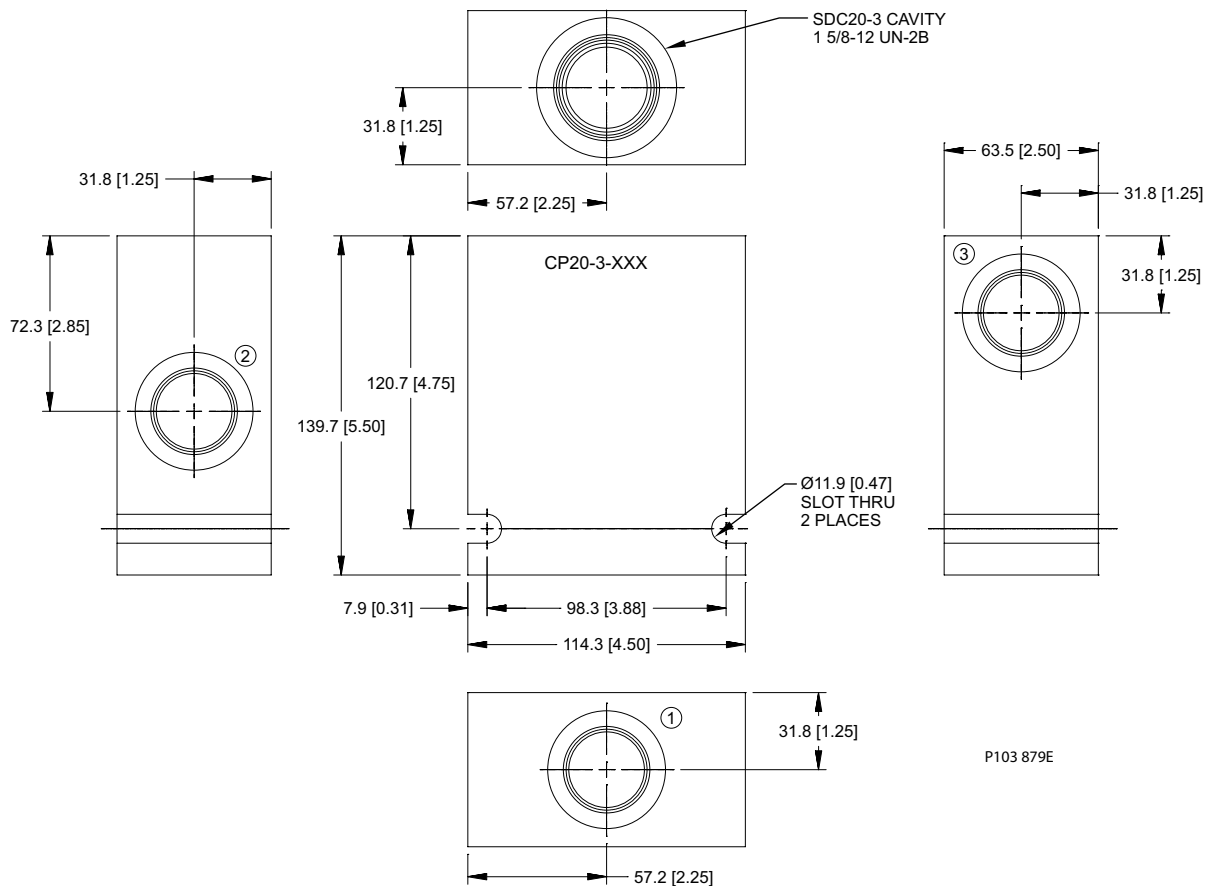


## Cartridge Valves Technical Information

### Housings

### SDC20-3 (Standard)

#### Housing drawing



#### Options

Order Code	Description	Style	Ports
CP20-3-10B	Aluminum Housing	Standard	1 1/4 BSP
CP20-3-10B/2B1	Aluminum Housing, Pilot at Port #3	Standard	1 1/4 BSP, 1/4 BSP
CP20-3-16S	Aluminum Housing	Standard	SAE #16
CP20-3-16S/4S1	Aluminum Housing, Pilot at Port #3	Standard	SAE #16, #4
CP20-3-20S	Aluminum Housing	Standard	SAE #20
CP20-3-20S/4S1	Aluminum Housing, Pilot at Port #3	Standard	SAE #20, #4
CP20-3-8B	Aluminum Housing	Standard	1 BSP
CP20-3-8B/2B1	Aluminum Housing, Pilot at Port #3	Standard	1 BSP, 1/4 BSP

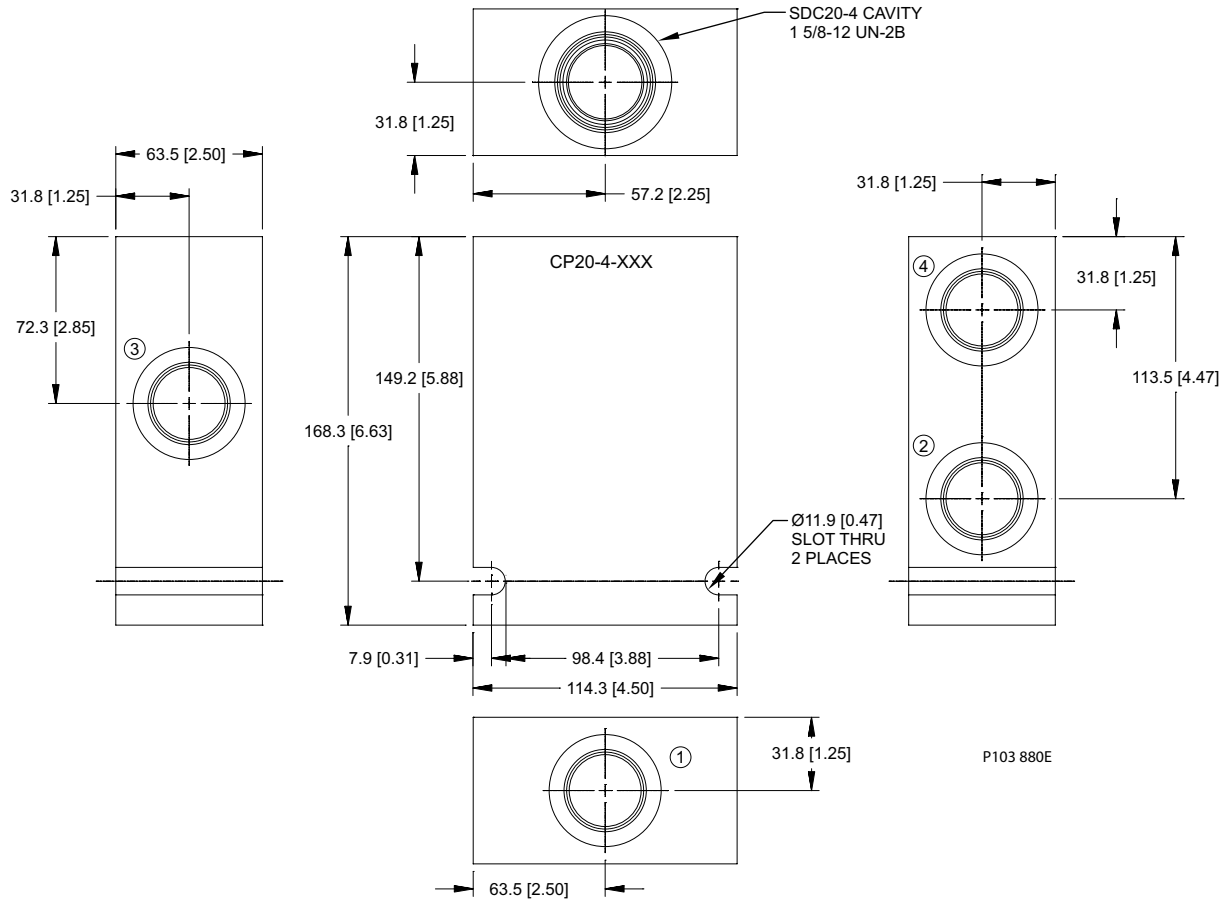


## Cartridge Valves Technical Information

### Housings

#### SDC20-4 (Standard)

#### Dimensions



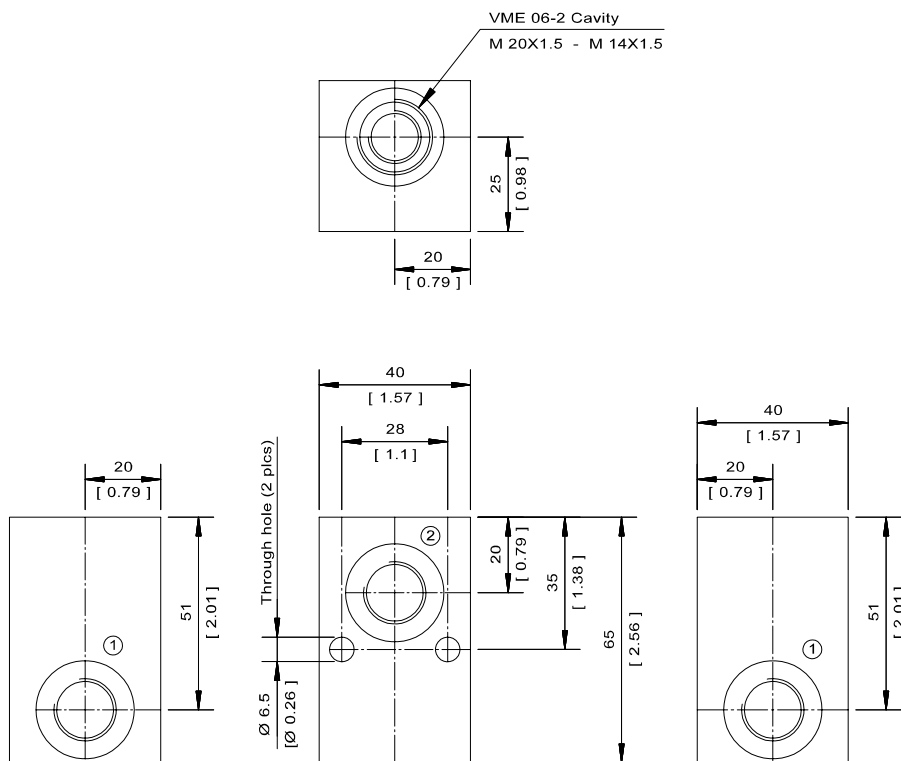
#### Options

Order Code	Description	Style	Ports
CP20-4-10B	Aluminum Housing	Standard	1 1/4 BSP
CP20-4-10B-X1	Aluminum Housing, No Port #1	Omit port 1	1 1/4 BSP
CP20-4-16S	Aluminum Housing	Standard	SAE #16
CP20-4-16S/4S	Aluminum Housing, Pilot at Port #1	Standard	SAE #16, #4
CP20-4-16S-X1	Aluminum Housing, No Port #1	Omit port 1	SAE #16
CP20-4-20S	Aluminum Housing	Standard	SAE #20
CP20-4-20S/4S	Aluminum Housing, Pilot at Port #1	Standard	SAE #20, #4
CP20-4-20S-X1	Aluminum Housing, No Port #1	Omit port 1	SAE #20
CP20-4-8B	Aluminum Housing	Standard	1 BSP
CP20-4-8B-X1	Aluminum Housing, No Port #1	Omit port 1	1 BSP
CP20-4-S16S	Steel Housing	Standard	SAE #16
CP20-4-S16S-X1	Steel Housing, No Port #1	Omit port 1	SAE #16



Cartridge Valves Technical Information  
Housings  
VME06 (LG)

Housing drawing



P103 934E

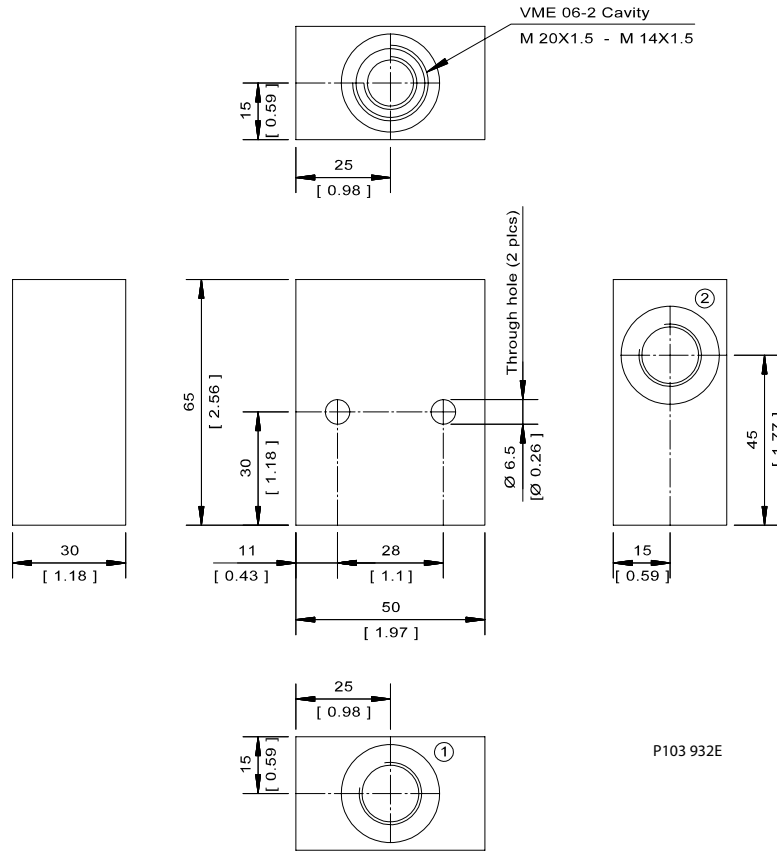
Options

Order Code	Description	Style	Ports
VME 06-LG-3B	Aluminum Housing	LG	3/8 BSP
VME 06-LG-6S	Aluminum Housing	LG	SAE #6



Cartridge Valves Technical Information  
Housings  
VME06 (DG)

Dimensions



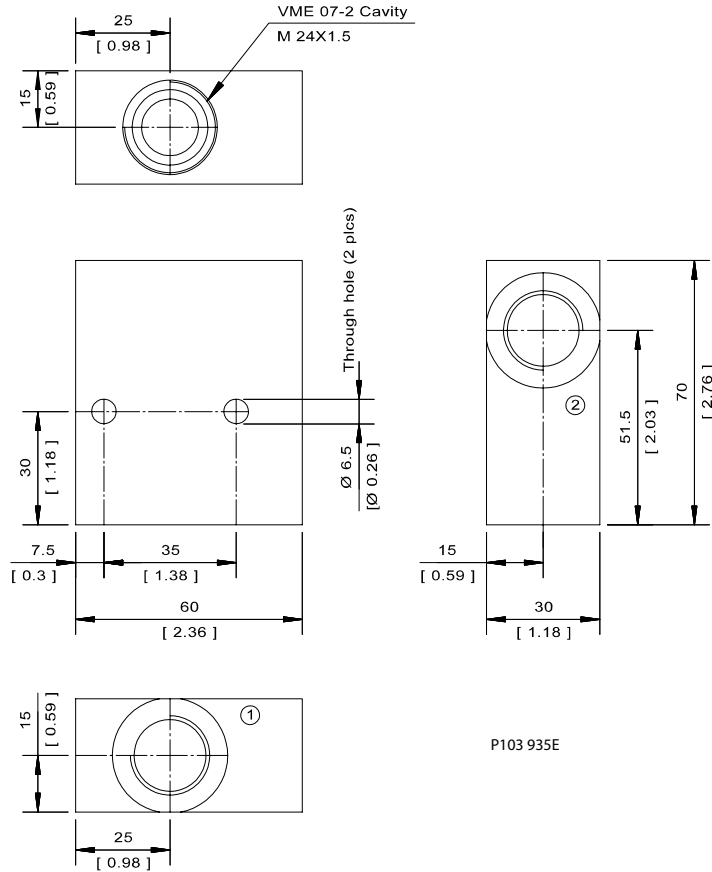
Options

Order Code	Description	Style	Ports
VME 06-DG-3B	Aluminum Housing	DG	3/8 BSP
VME 06-DG-6S	Aluminum Housing	DG	SAE #6



Cartridge Valves Technical Information  
Housings  
VME07 (DG)

Housing drawing



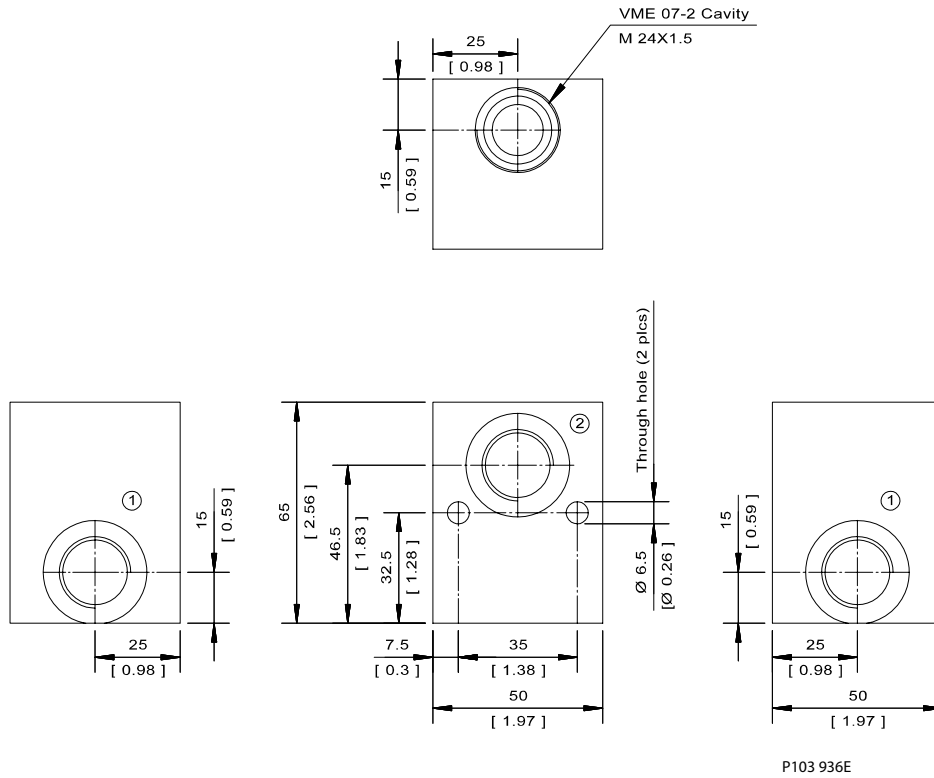
Options

Order Code	Description	Style	Ports
VME 07-DG-4B	Aluminum Housing	DG	1/2 BSP
VME 07-DG-8S	Aluminum Housing	DG	SAE #8



Cartridge Valves Technical Information  
Housings  
VME07 (LG)

Dimensions



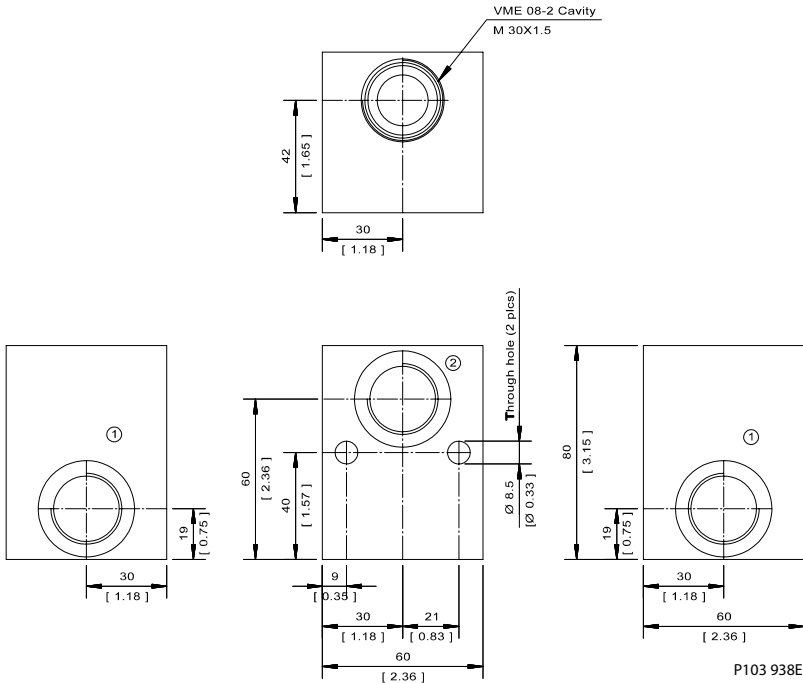
Options

Order Code	Description	Style	Ports
VME 07-LG-4B	Aluminum Housing	LG	1/2 BSP
VME 07-LG-8S	Aluminum Housing	LG	SAE #8



Cartridge Valves Technical Information  
Housings  
VME08 (LG)

Housing drawing



Options

Order Code	Description	Style	Ports
VME 08-LG-12S	Aluminum Housing	LG	SAE #12
VME 08-LG-6B	Aluminum Housing	LG	3/4 BSP

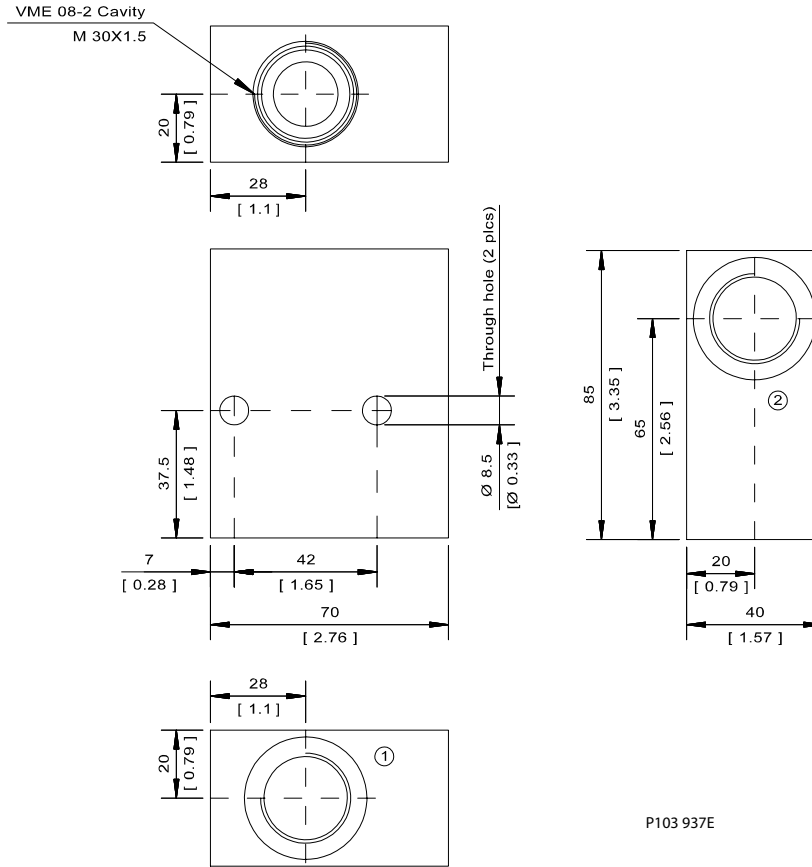
VME08 (LG)  
Housings





Cartridge Valves Technical Information  
Housings  
VME08 (DG)

Dimensions



Options

Order Code	Description	Style	Ports
VME 08-DG-12S	Aluminum Housing	DG	SAE #12
VME 08-DG-6B	Aluminum Housing	DG	3/4 BSP



Cartridge Valves Technical Information  
Housings  
Notes