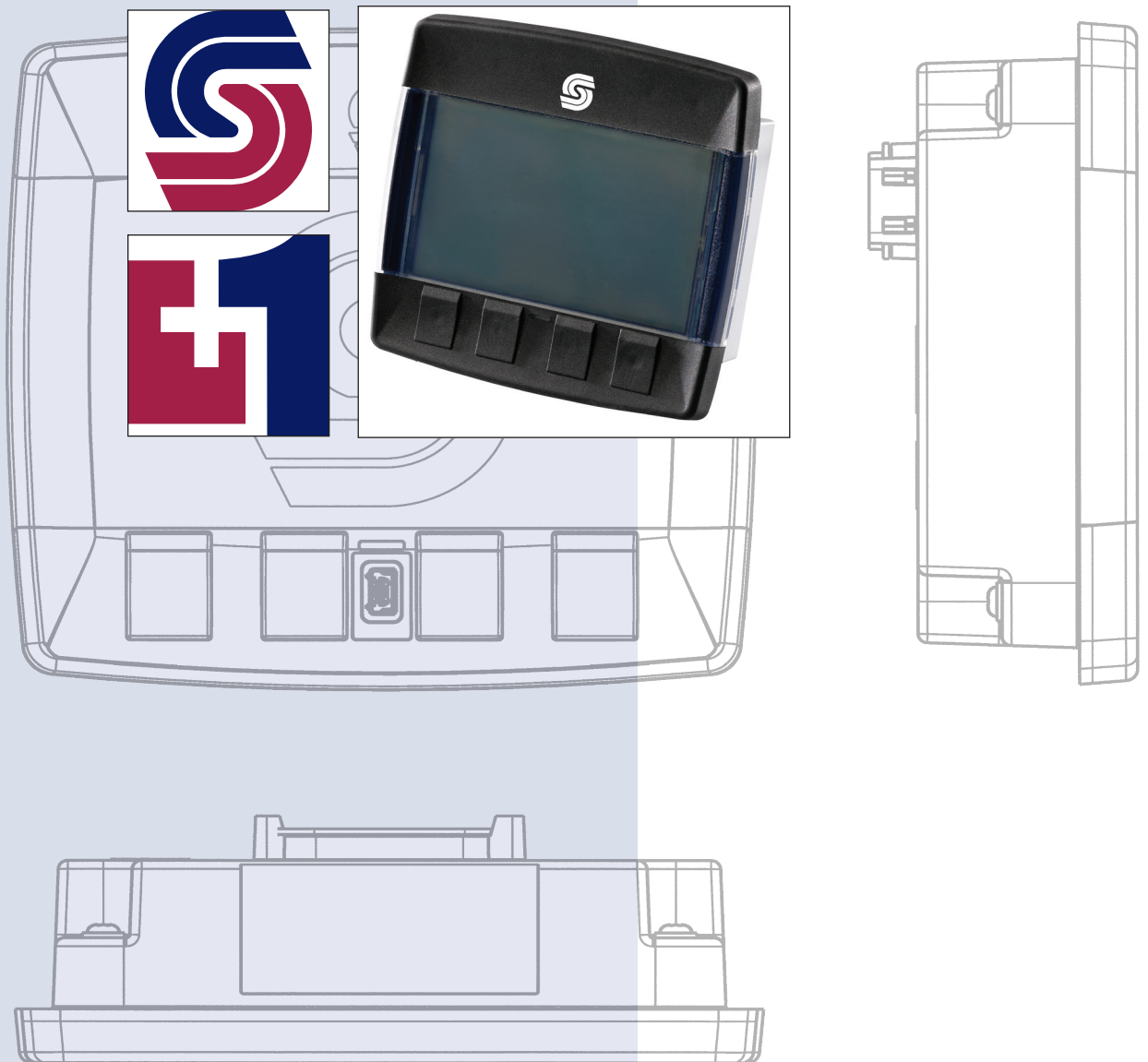




PLUS+1 GUIDE

DP200 Series
Graphical Terminals
Technical
Information



Introduction	3
DP200 Series Dimensions.....	4
Installation Drawing	5
Installation Procedures.....	6
Pin Functions	7
DP200 Series Product Parameters	7
Pinout Functions	8
DP200 Series pin assignments	8
DP210 Series pin assignments	8
DP210 Series USB mini-B connector pin out information.....	8
Order Variants	9
DP200 Series Available Models.....	9
DP210 Series Available Models.....	9
DP200 Series Related Products Part Numbers	10
Accessories	10
Operating Considerations.....	11

© 2007 Sauer-Danfoss. All rights reserved. Printed in Europe.

Sauer-Danfoss accepts no responsibility for possible errors in catalogs, brochures and other printed material. Sauer-Danfoss reserves the right to alter its products without prior notice. This also applies to products already ordered provided that such alterations are not in conflict with agreed specifications. All trademarks in this material are properties of their respective owners. RedCAN™ is a trademark of the Sauer-Danfoss Group. Sauer-Danfoss and the Sauer-Danfoss logotype are trademarks of the Sauer-Danfoss Group.

DP200 Features

The DP200 series of PLUS+1 graphical terminals provides a cost effective, high quality solutions to fit the needs of today's mobile machines.

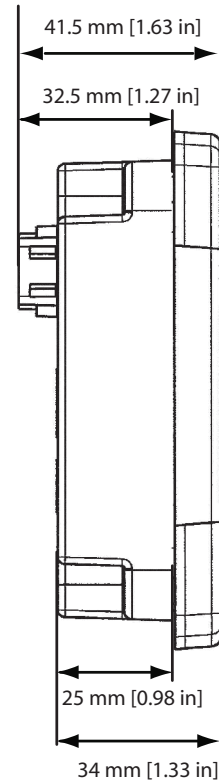
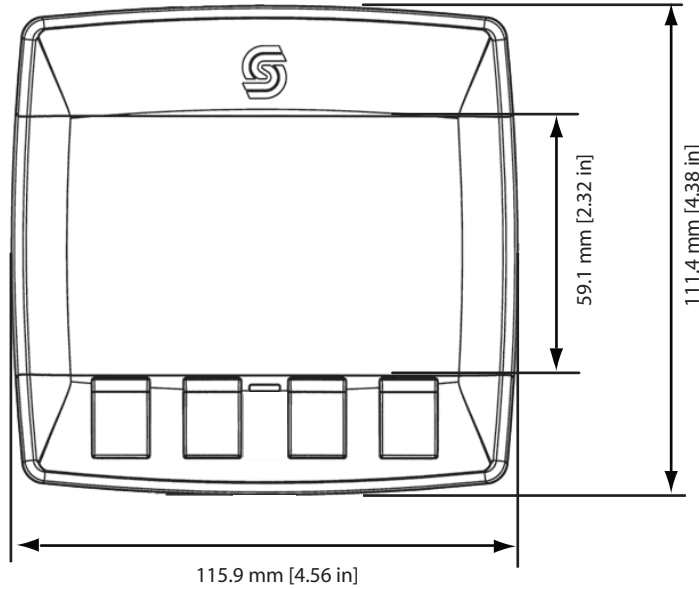
Features (Model Dependent):

- High resolution grayscale LCD display
- 4 programmable soft keys
- 2 red, 2 green software controlled LEDs
- 2 CAN 2.0B ports
- 1 fixed-range analog input
- 4 digital/analog inputs
- 2 digital/analog/frequency/current/ rheostat inputs
- 1 (0.5A) digital output
- Real time clock
- USB 2.0 port with mini-B connector
- PLUS+1™ GUIDE programmable
- J1939 engine monitor software package (requires application key)
- Data logging capability
- Rugged IP 67 rating class housing
- Integrated Deutsch™ connector
- Extended temperature performance range
- CE and E marked

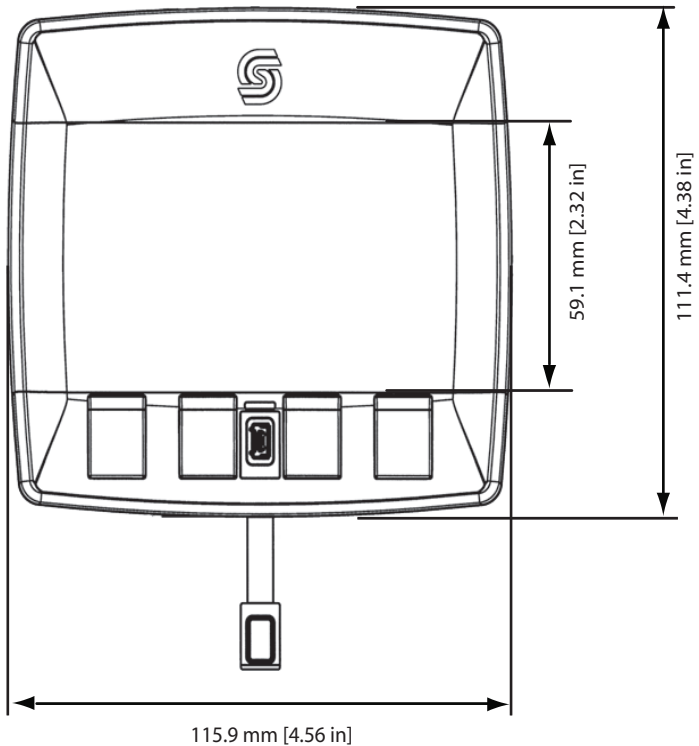
DP200 Model Features

The DP200 Series of graphical terminals are available in two general variants, the DP200 series and the DP210 series

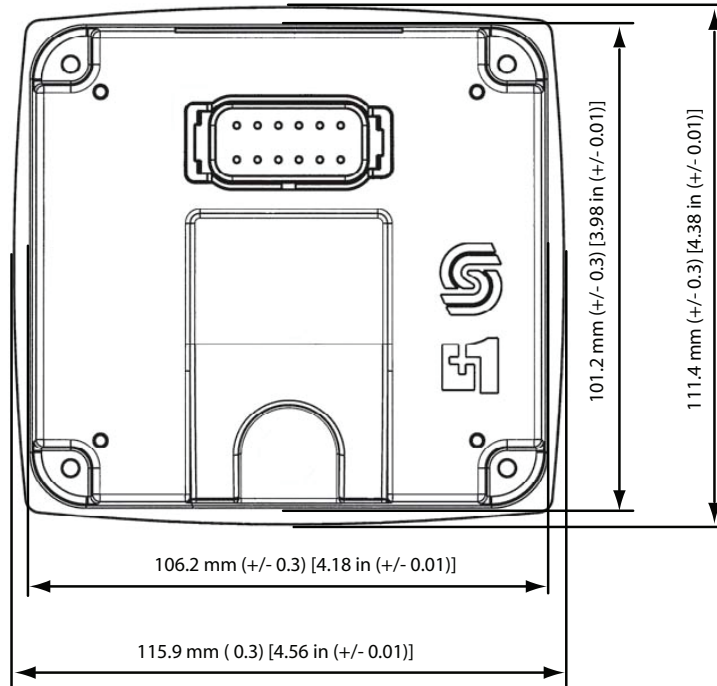
DP200 Dimensions



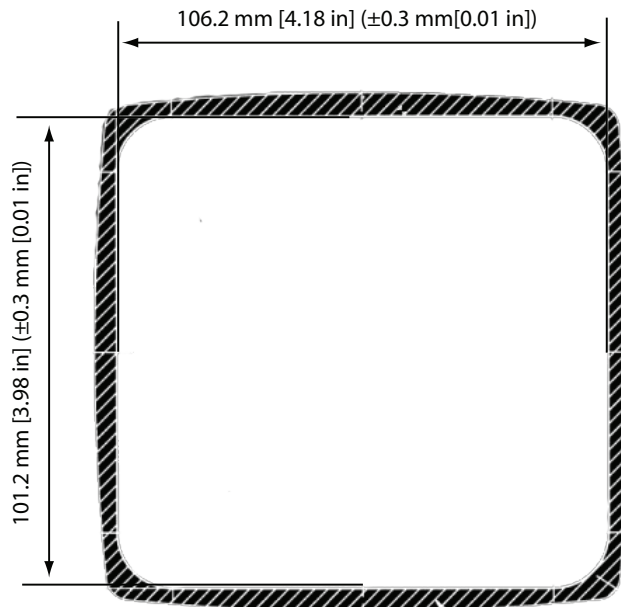
DP210 Dimensions



Installation Tolerances



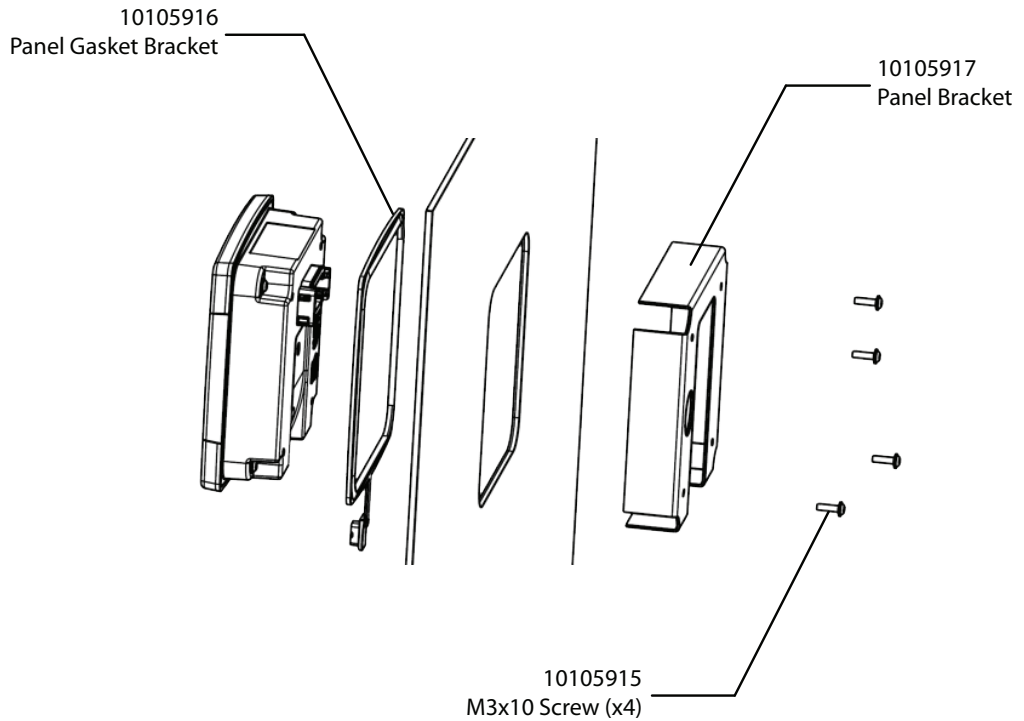
Panel gasket seal



- Gasket seal area crosshatched
- Panel thickness: 2-5 mm
- interior edges chamfered 0.2- 0.5 mm

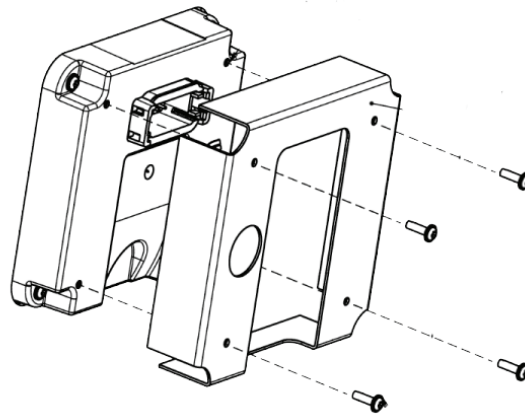
Mounting Installation

Suggested mounting procedure



Fastening Installation

Mounting screw placement



DP200 Series Electrical Connection Kit

10100944	12-pin Deutsch connection Kit
<i>Contents:</i>	
10100738 DTM06-12SA 12-pin Deutsch connector	
10100743 Deutsch terminal	
10100741 WM 12S locking plug	

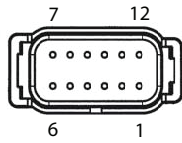
Mounting and fastening Installation

- Fastening hole depth: 11 mm
- May be threaded M3 and used with standard screws. Reassembly with self-tapping screws may damage existing threads in housing.
- Maximum torque: 0.9 Nm. Excessive torque force may cause damage to housing.

DP200 Series Product Parameters

DP200 Series	
Processor	ARM 7 core, 32 bit/ 60 MHz
RAM	64KB on-chip, 512MB on board
FRAM	16 KB
Power Supply	9–63 Vdc/6.5 Watts
Connector	Deutsch DTM-12
Type	LCD with 32 grayscale levels
Resolution	160 x 240 pixels
Viewable Area	80 mm x 55 mm [3.15 x 2.16]
IP Rating	IP67
Operation Temperature	Code C00: –20 °C — +70°C [–4°F — +158°F]
	Code C01: –40 °C — +85°C [–40°F — +176°F]
Storage Temperature	–40 °C — +85°C [–40°F — +176°F]
Weight	250 g [0.5 lb]
Vibration/Shock	5g/ 100g
EMC/ESD	100V/m / 15kV
Digital Output (0.5A)	1

**Deutsch DTM-12
 Pinout Function**



DP200 Series pin assignments

		Code B 00	Code B 01	Code B 04
1	Power ground-			
2	Power supply+			
3	CAN 0+			
4	CAN 0-			
5	AIN/ CAN Shield			
6	See Code B option	NC	DIN/AIN	NC
7	See Code B option	NC	DIN/AIN	NC
8	See Code B option	NC	DIN/AIN	CAN 1+
9	See Code B option	NC	DIN/AIN	CAN1-
10	DIN/AIN/FREQ IN/ CURRENT IN			
11	DIN/AIN/FREQ IN/ CURRENT IN			
12	DOUT (0.5A)			

DP210 Series pin assignments

1	Power ground-	
2	Power supply+	
3	CAN 0+	
4	CAN 0-	
5	AIN/ CAN Shield	
6	See Code B option	NC
7	See Code B option	NC
8	See Code B option	CAN 1+
9	See Code B option	CAN 1-
10	DIN/AIN/FREQ IN/ CURRENT IN	
11	DIN/AIN/FREQ IN/ CURRENT IN	
12	DOUT (0.5A)	

**USB Mini-B
 Pinout Function**



Use care when wiring mating connector. Above pinouts are for device pins.

*DP210 Series USB mini-B connector
 pin out information*

1	VBUS
2	Data -
3	Data +
4	NC
5	Ground

DP200 Variants and Model Codes

A Model Name

DP200	Graphical Display, IP 67 above panel
DP210	Graphical Display with USB

B Inputs/Outputs

00	1 CAN port, 2 DIN/AIN
01	1 CAN port, 6 DIN/AIN
04	2 CAN ports, 2 DIN/AIN

Real Time Clock/ Low Temperature Functionality

C

00	No RTC and LTF
01	RTC and LTF

D Flash Memory/Application Key

01	1MB
02	2MB without Application Key
03	2MB with Application Key

E Application Log

00	None
04	4 MB

F USB Port Type

00	None
01	USB Device

DP200 Series Available Models

DP200-00-00-01-00-00	10107021
DP200-00-01-03-00-00	10107380
DP200-01-01-02-00-00	10106883
DP200-01-01-03-00-00	10107381
DP200-04-01-02-00-00	10107022
DP200-04-01-03-00-00	10107382

DP210 Series Available Models

DP210-04-01-02-04-01	10106884
DP210-04-01-03-04-01	10107383

Accessories

DP200 Series Related Products Part Numbers

10106893	J1939 CAN Engine Monitor Software
10100944	Deutsch Mating Connector Bag Assembly
10107264	DP2XX Mounting Hardware Kit
10101000	PLUS+1 GUIDE Single User License

Electrical Connection Kits

10100944	12-pin Deutsch connection Kit
	<i>Contents:</i> <i>10100738 DTM06-12SA 12-pin Deutsch connector</i> <i>10100743 Deutsch terminal</i> <i>10100741 WM 12S locking plug</i>

Connection Tools

10100744	Deutsch stamped contacts terminal crimp tool, size 20
10100745	Deutsch solid contacts terminal crimp tool

DP200 Mounting Kits

10107264	DP200 Series Mounting Hardware Kit
	<i>Contents:</i> <i>10105915 Mounting screws (x4), M3x10</i> <i>10105916 Panel gasket seal</i> <i>10105917 Panel mounting bracket</i>

Software

10101000	PLUS+1 GUIDE Software Application (including Service & Diagnostic Tool and Screen Editor)
----------	--

**APPLICATION
AND OPERATING
CONSIDERATIONS**

- Disconnect your machine's battery power before connecting power and signal cables to the DP200.
- Before doing any electrical welding on your machine, disconnect all power and signal cable cables connected to the DP200
- Do not exceed the DP200 power supply voltage ratings. Using higher voltages may damage the DP200 and can create a fire or electrical shock hazard.
- Do not use or store the DP200 where flammable gases or chemicals are present. Using or storing the DP200 where flammable gases or chemicals are present may cause an explosion.
- Software configures the keypad buttons on the DP200. Do not use these buttons to implement critical safety features. Use separate mechanical switches to implement critical safety features such as emergency stops.
- Design systems that use the DP200 so that a communication error or failure between the DP200 and other units cannot cause a malfunction that might injure people or damage material.
- The protective glass over the DP200 display screen will break if hit with a hard or heavy object. Install the DP200 to reduce the possibility of it being hit by hard or heavy objects.
- If you break the protective glass of the DP200 screen, remove the DP200 and immediately return it to Sauer-Danfoss for service.
- Storing or operating a DP200 in an environment that exceeds the DP200 specified temperature or humidity rating may damage the DP200.
- Always clean the DP200 with a soft, damp cloth. Use a mild dishwashing detergent as needed. To avoid scratching and discoloring the DP200, do not use abrasive pads, scouring powders, or solvents such as alcohol, benzene, or paint thinner.
- The DP200 is not user serviceable. Return the DP200 to the factory in case of failure.



OUR PRODUCTS

Hydrostatic transmissions
Hydraulic power steering
Electric power steering
Electrohydraulic power steering
Closed and open circuit axial piston pumps and motors
Gear pumps and motors
Bent axis motors
Orbital motors
Transit mixer drives
Planetary compact gears
Proportional valves
Directional spool valves
Cartridge valves
Hydraulic integrated circuits
Hydrostatic transaxles
Integrated systems
Fan drive systems
Electrohydraulics
Microcontrollers and software
Electric motors and inverters
Joysticks and control handles
Displays
Sensors

Sauer-Danfoss Mobile Power and Control Systems – Market Leaders Worldwide

Sauer-Danfoss is a comprehensive supplier providing complete systems to the global mobile market.

Sauer-Danfoss serves markets such as agriculture, construction, road building, material handling, municipal, forestry, turf care, and many others.

We offer our customers optimum solutions for their needs and develop new products and systems in close cooperation and partnership with them.

Sauer-Danfoss specializes in integrating a full range of system components to provide vehicle designers with the most advanced total system design.

Sauer-Danfoss provides comprehensive worldwide service for its products through an extensive network of Authorized Service Centers strategically located in all parts of the world.

Sauer-Danfoss (US) Company
2800 East 13th Street
Ames, IA 50010, USA
Phone: +1 515 239-6000, Fax: +1 515 239 6618

Sauer-Danfoss (Neumünster) GmbH & Co. OHG
Postfach 2460, D-24531 Neumünster
Krokamp 35, D-24539 Neumünster, Germany
Phone: +49 4321 871-0, Fax: +49 4321 871 122

Sauer-Danfoss (Nordborg) A/S
DK-6430 Nordborg, Denmark
Phone: +45 7488 4444, Fax: +45 7488 4400

www.sauer-danfoss.com