



## H1-The new Generation of Hydrostatics 078 cm<sup>3</sup> Single Pumps

### Introduction

For more than 40 years, Sauer-Danfoss has been developing state-of-the-art components and systems for mobile machinery used in off-highway operations around the world. We have become a preferred supplier by offering the best of what really matters: The hardware inside your vehicle application. H1 - our new generation of servo-controlled hydrostatic pumps - is no exception.

The H1 range is built around an advanced electrical control and available in a wide range of displacements. It is designed for quality and reliability and offers expanded functionality, greater total efficiency, and easy installation.

All H1 control and sensor options are PLUS+1 Compliant. PLUS+1 allows you to rapidly develop and customize electronic machine control. It opens up the future by combining machine controls and diagnostics in an integrated operating network.



*H1 Axial piston pump  
Size 078 single pump*

### Features

- **Designed for quality and reliability**
  - One design concept
  - Single piece swash plate
- **Installation and packaging benefits**
  - Length optimized pump
  - Minimum one clean side
  - Higher corner power
  - Higher package size ratio
  - Standardized connector interface
  - Expanded functionality through PLUS+1
- **Optimized for electrical control**
  - Electro-hydraulic control options include Electrical Displacement Control (EDC), Forward-Neutral-Reverse (FNR) and Non-Feedback Proportional Electric (NFPE)
  - Common control across entire family
- **Expanded functionality**
  - PLUS+1 Compliant control and sensor options
  - Integral filtration available with integrated filter bypass sensors and switch
- **Greater total efficiency**
  - Minimized control losses
  - Improved charge circuit
  - Lower control pressure for less power consumption

Local Address:

### Technical Specifications

#### Physical properties

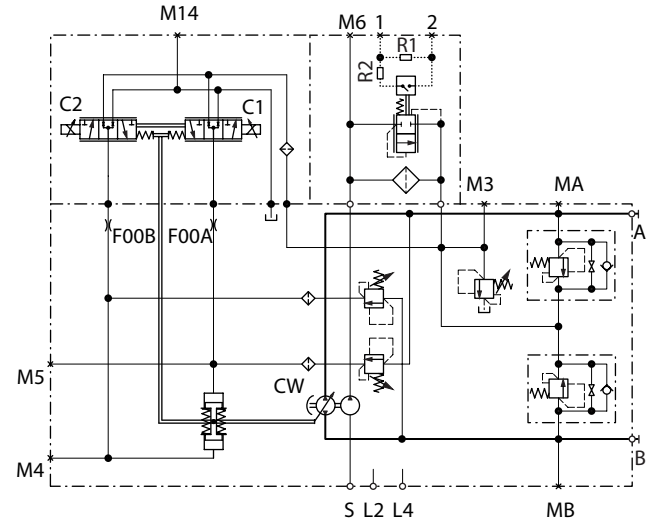
Features	Unit	Sizes 078	
Displacement	cm <sup>3</sup> [in <sup>3</sup> ]	78.1	[4.77]
Weight (without PTO and filter)	kg [lb]	56	[123]

#### Operating parameters

Input speed	Minimum	min-1 (rpm)	500	
	Rated		3500	
	Maximum		4000	
System pressure	Maximum working pressure*	bar [psi]	420	[6090]
	Maximum pressure		450	[6525]
	Minimum low loop		10	[150]
Case pressure	Rated	bar [psi]	3.0	[40]
	Maximum		5.0	[75]

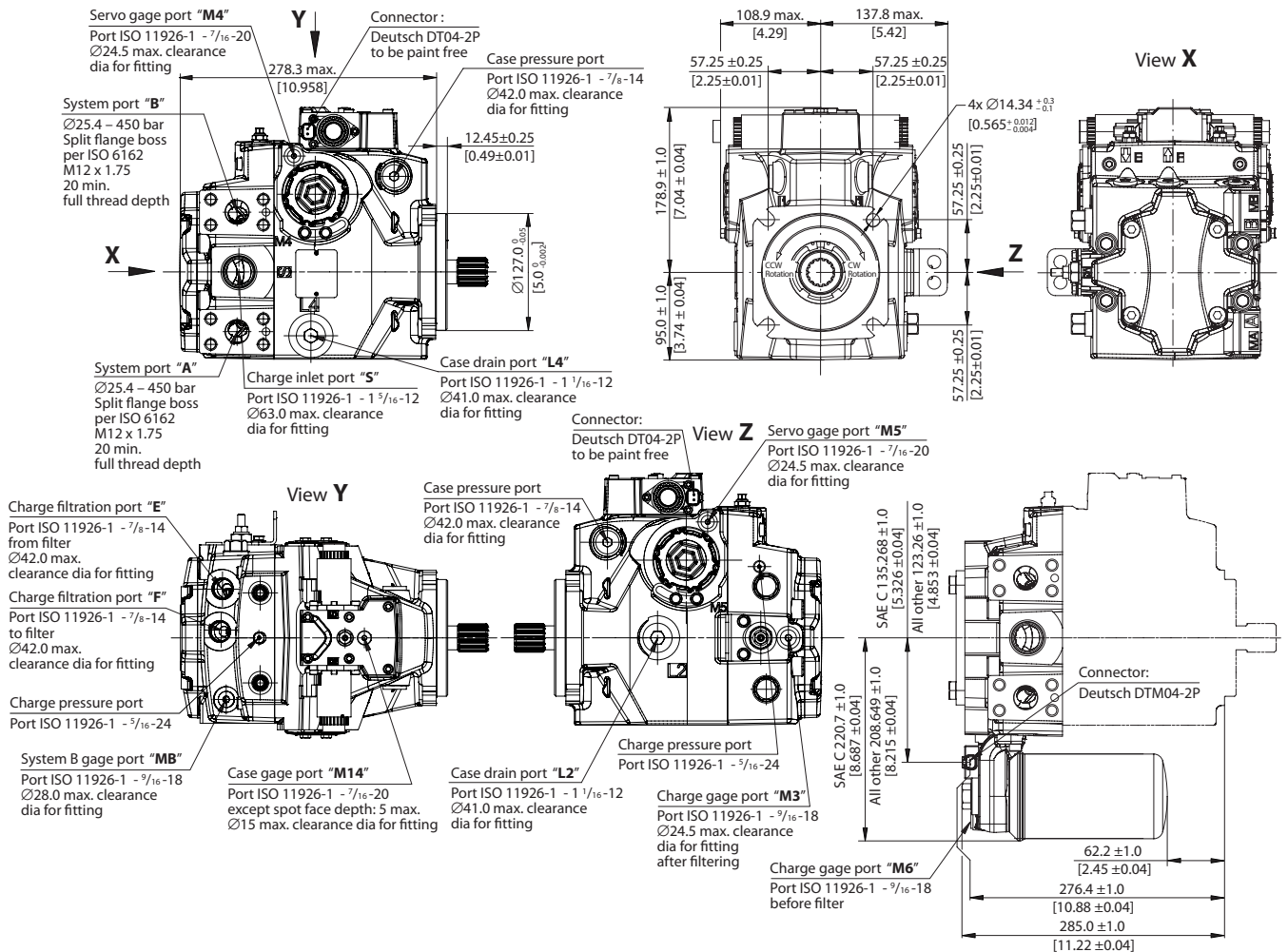
\* Applied pressures above maximum working pressure requires Sauer-Danfoss application approval.

### Schematic



P003 415

### Dimensions



Optional: Integrated charge pressure filtration