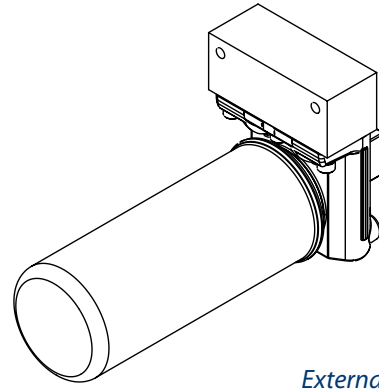




## External Remote Charge Pressure Filter

### INTRODUCTION

For more than 40 years, Sauer-Danfoss has been developing state-of-the-art components and systems for mobile machinery used in off-highway operations around the world. We have become a preferred supplier by offering the best of what really matters: The hardware inside your vehicle application.



*External Remote Charge Pressure Filter*

### Features

- **Full charge flow filtration**
- **Common filter head**
- **3 different filter sizes**
- **Compatible with**
  - H1 P
  - S 90
  - S 42
  - S 40
- **Integrated functionality**
  - Bypass valve
  - Electric contamination indicator
- **Serviceability**
  - No extra space for element replacement needed, (side way removal possible)

Local address:

## Technical Data

### Technical data, Pressures

<b>Maximum charge pressure</b>		30 bar [435 psi]
<b>Electric contamination indicator activation</b>		$\Delta p$ 4.3 bar [62 psi] $\pm 0.7$ bar [10 psi]
<b>Bypass valve</b>	<b>start open</b>	$\Delta p$ 5.3 bar [77 psi]
	<b>fully open</b>	$\Delta p$ 6.4 bar [93 psi]

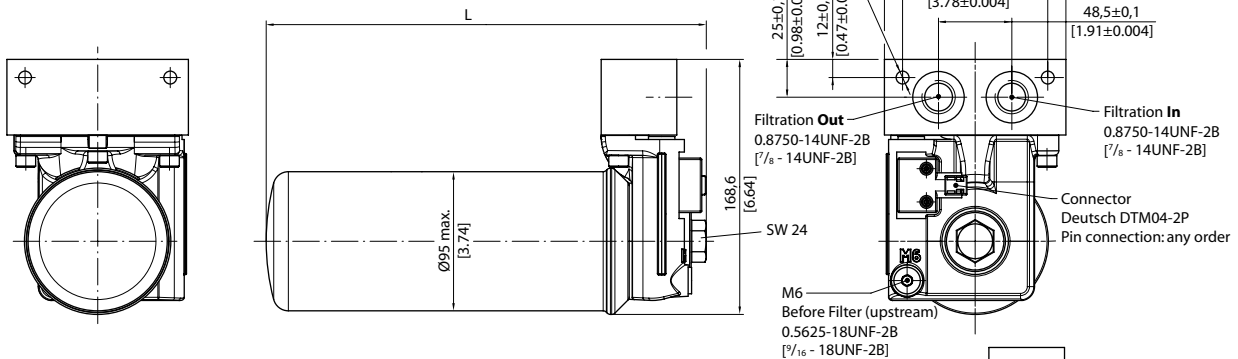
### Technical data according to ISO 16889

Nominal flow at 30 mm <sup>2</sup> /s and $\Delta p$ 0.5 bar [7.3 psi] (clean element)	$\beta$ ratio
60 l/min	$\beta_{15-20} = 75$ ( $\beta_{10} \geq 10$ )
80 l/min	
105 l/min	

### Technical data

<b>Max. voltage</b>	48 V
<b>Max. power</b>	0.6 W
<b>Resistor R1</b>	510 $\Omega$
<b>Resistor R2</b>	160 $\Omega$
<b>Resistor tolerance</b>	1 %
<b>Temp. range</b>	-20 °C ÷ +100 °C [-4 °F ÷ +212 °C]
<b>IP rating (DIN 40 050) with mating connector</b>	IP 69K
<b>Pin connections</b>	any order

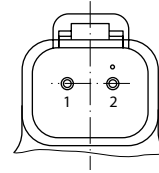
## Dimensions



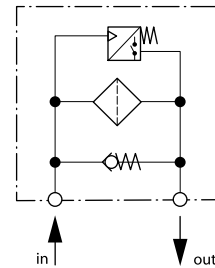
Filter assembly		L max. mm [inch]	Replacement element
Short	1100 1484	205 [8.07]	11004917
Medium	1100 1485	226 [8.90]	11004918
Long	1100 0674	291 [11.46]	11004919

## Connector

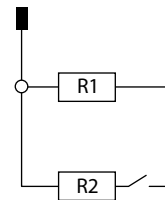
<b>Solenoid connector</b>	DTM04-2P
<b>Mating connector</b>	DTM06-2S



## Schematic



## Electric circuit



## Element replacement

